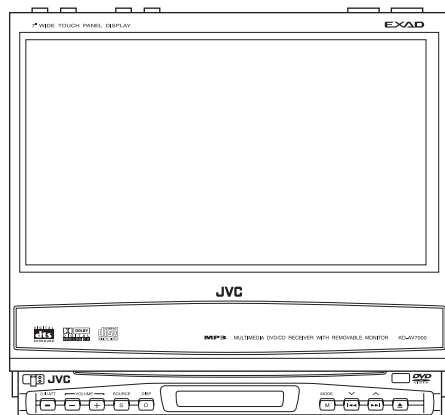
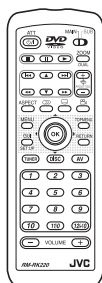


JVC

SERVICE MANUAL

DVD RECEIVER WITH MONITOR

**KD-AV7000, KD-AV7001,
KD-AV7005, KD-AV7008,
KV-MAV7001, KV-MAV7002**



**EXAD
MP3**

DIGITAL
dts
SURROUND

DOLBY
DIGITAL
PRO LOGIC II

COMPACT
disc
DIGITAL VIDEO

**DVD
VIDEO**

KD-AV7000
Area suffix
J ----- Northern America
KD-AV7001
Area suffix
E ----- Southern Europe
EU ----- Turkey
KD-AV7005
Area suffix
UN ----- Asean
U ----- Other Areas
KD-AV7008
Area suffix
A ----- Australia
KV-MAV7001, KV-MAV7002
Area suffix
U ----- Other Areas

TABLE OF CONTENTS

1	PRECAUTIONS	1-4
2	SPECIFIC SERVICE INSTRUCTIONS	1-7
3	DISASSEMBLY	1-8
4	ADJUSTMENT	1-35
5	TROUBLESHOOTING	1-51

SPECIFICATION

Main unit

AUDIO AMPLIFIER SECTION		
Maximum Power Output	Front	50 W per channel
	Rear	50 W per channel
	Center	35 W
Continuous Power Output (RMS)	Front	19 W per channel into 4 Ω , 40 Hz to 20 000 Hz at no more than 0.8% total harmonic distortion.
	Rear	19 W per channel into 4 Ω , 40 Hz to 20 000 Hz at no more than 0.8% total harmonic distortion.
	Center	15 W into 4 Ω , 40 Hz to 20 000 Hz at no more than 0.8% total harmonic distortion.
Load Impedance		4 Ω (4 Ω to 8 Ω allowance)
Equalizer Control Range	Frequencies	100 Hz, 300 Hz, 1 kHz, 3 kHz, 10 kHz
	Level	± 10 dB
Frequency Response		40 Hz to 20 000 Hz
Signal-to-Noise Ratio		70 dB
TUNER SECTION		
Frequency Range	FM	87.5 MHz to 107.9 MHz
	AM	530 kHz to 1 710 kHz
FM Tuner	Usable Sensitivity	11.3 dBf (1.0 μ V/75 Ω)
	50 dB Quieting Sensitivity	16.3 dBf (1.8 μ V/75 Ω)
	Alternate Channel Selectivity (400 kHz)	65 dB
	Frequency Response	40 Hz to 15 000 Hz
	Stereo Separation	35 dB
	Capture Ratio	1.5 dB
AM Tuner	Sensitivity	20 μ V
	Selectivity	35 dB
LW Tuner	Selectivity	50 μ V (KV7001 only)
DVD/CD PLAYER SECTION		
Signal Detection System		Non-contact optical pickup (semiconductor laser)
Number of channels		2 channels (stereo)
Frequency Response	DVD, fs=48 kHz	16 Hz to 22 000 Hz
	DVD, fs=96 kHz	16 Hz to 44 000 Hz
	VCD, CD, MP3	16 Hz to 20 000 Hz
Dynamic Range		96 dB
Signal-to-Noise Ratio		98 dB
Wow and Flutter		Less than measurable limit
MP3 Recording Format		MPEG 1/2 Audio Layer 3 Max. Bit rate: 320 kbps

REMOVABLE MONITOR		
Screen Size	7 inch wide liquid crystal display	
Number of Pixel	336 960 pixels (480 vertical × 234 horizontal × 3)	
Drive Method	TFT (Thin Film Transistor) active matrix format	
Color System	NTSC	
Aspect Ratio	16:9 (wide)	
Allowable Storage Temperature	-10°C to +60°C (14°F to 140°F)	
Allowable Operating Temperature	0°C to +40°C (32°F to 104°F)	
Dimensions (W × H × D)	170 mm × 141 mm × 15 mm (6-3/4 in. × 5-5/8 in. × 5/8 in.)	
Mass	475 g (1.1 lbs)	
GENERAL		
Power Requirement	Operating Voltage	DC 14.4 V (11 V to 16 V allowance)
Grounding System		Negative ground
Allowable Operating Temperature		0°C to +40°C (32°F to 104°F)
Dimensions (W × H × D)	Installation Size	182 mm × 52 mm × 165 mm (7-3/16 in. × 2-1/16 in. × 6-1/2 in.) (With sleeve-mounting plate Type B (standard))
		182 mm × 52 mm × 160 mm (7-3/16 in. × 2-1/16 in. × 6-5/16 in.) (With sleeve-mounting plate Type A)
	Panel Size	188 mm × 58 mm × 14 mm (7-7/16 in. × 2-5/16 in. × 5/8 in.)
Mass	2.25 kg (5.1 lbs) (including monitor)	


Hideaway unit

Input Terminals	AV INPUT 1/2	Audio: 0.5 Vrms (Left/Right)
		Video (composite): 1 Vp-p/75 Ω
Output Terminals (Level/Impedance)	AV OUTPUT	Audio: 2.0 V/20 kΩ load (full scale)
		Video (composite): 1 Vp-p/75 Ω
	PRE OUT	Audio: 2.0 V/20 kΩ load (full scale)
Other Terminals		System integration (TO MAIN UNIT) FM/AM antenna (FM/AM ANTENNA) AV bus (AV BUS) CD changer (TO CHANGER) Rear view camera/Center speaker (BACKCAMERA REMOTE/CENTER SPEAKER) Power cord (POWER)
Dimensions (W × H × D)		230 mm × 35 mm × 181 mm (9-1/16 in. × 1-7/16 in. × 7-3/16 in.)
Mass		1.3 kg (2.9 lbs)

Design and specifications are subject to change without notice.

SECTION 1 PRECAUTIONS

1.1 Safety Precautions

 **CAUTION** Burrs formed during molding may be left over on some parts of the chassis. Therefore, pay attention to such burrs in the case of performing repair of this system.

 **CAUTION** Please use enough caution not to see the beam directly or touch it in case of an adjustment or operation check.

1.2 Preventing static electricity

Electrostatic discharge (ESD), which occurs when static electricity stored in the body, fabric, etc. is discharged, can destroy the laser diode in the traverse unit (optical pickup). Take care to prevent this when performing repairs.

1.2.1 Grounding to prevent damage by static electricity

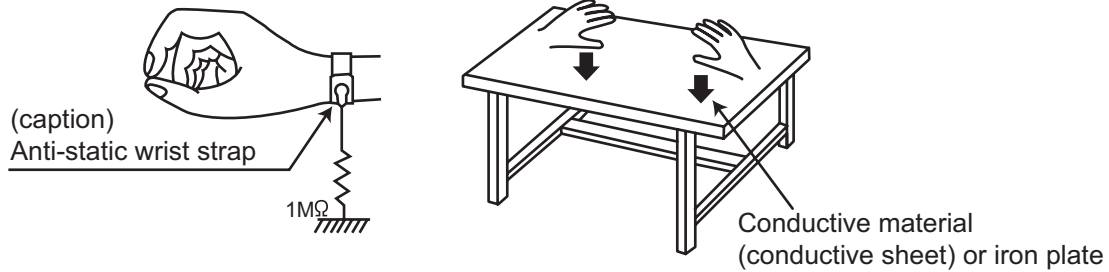
Static electricity in the work area can destroy the optical pickup (laser diode) in devices such as CD players. Be careful to use proper grounding in the area where repairs are being performed.

(1) Ground the workbench

Ground the workbench by laying conductive material (such as a conductive sheet) or an iron plate over it before placing the traverse unit (optical pickup) on it.

(2) Ground yourself

Use an anti-static wrist strap to release any static electricity built up in your body.



(3) Handling the optical pickup

- In order to maintain quality during transport and before installation, both sides of the laser diode on the replacement optical pickup are shorted. After replacement, return the shorted parts to their original condition. (Refer to the text.)
- Do not use a tester to check the condition of the laser diode in the optical pickup. The tester's internal power source can easily destroy the laser diode.

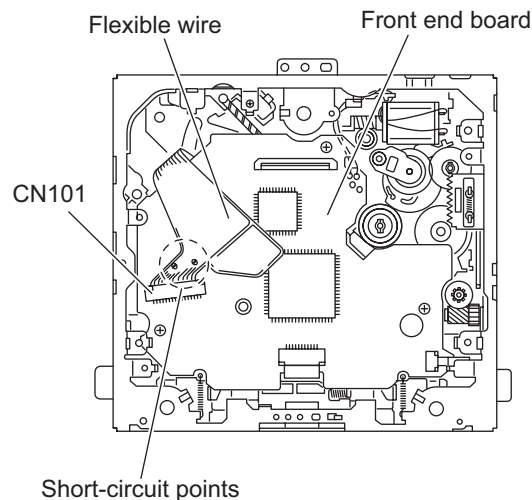
1.3 Handling the traverse unit (optical pickup)

- (1) Do not subject the traverse unit (optical pickup) to strong shocks, as it is a sensitive, complex unit.
- (2) Cut off the shorted part of the flexible cable using nippers, etc. after replacing the optical pickup. For specific details, refer to the replacement procedure in the text. Remove the anti-static pin when replacing the traverse unit. Be careful not to take too long a time when attaching it to the connector.
- (3) Handle the flexible cable carefully as it may break when subjected to strong force.
- (4) It is not possible to adjust the semi-fixed resistor that adjusts the laser power. Do not turn it.

1.4 Attention when traverse unit is decomposed

***Please refer to "Disassembly method" in the text for the CD pickup unit.**

- Apply solder to the short land before the flexible wire is disconnected from the connector on the CD pickup unit. (If the flexible wire is disconnected without applying solder, the CD pickup may be destroyed by static electricity.)
- In the assembly, be sure to remove solder from the short land after connecting the flexible wire.



1.5 Important for laser products

1.CLASS 1 LASER PRODUCT

2.DANGER : Invisible laser radiation when open and interlock failed or defeated. Avoid direct exposure to beam.

3.CAUTION : There are no serviceable parts inside the Laser Unit. Do not disassemble the Laser Unit. Replace the complete Laser Unit if it malfunctions.

4.CAUTION : The CD,MD and DVD player uses invisible laser radiation and is equipped with safety switches which prevent emission of radiation when the drawer is open and the safety interlocks have failed or are defeated. It is dangerous to defeat the safety switches.

5.CAUTION : If safety switches malfunction, the laser is able to function.

6.CAUTION : Use of controls, adjustments or performance of procedures other than those specified here in may result in hazardous radiation exposure.



CAUTION Please use enough caution not to see the beam directly or touch it in case of an adjustment or operation check.

CAUTION : Visible and invisible laser radiation when open and interlock failed or defeated.

AVOID DIRECT EXPOSURE TO BEAM.

ADVARSEL : Synlig og usynlig laserstråling når maskinen er åben eller interlocken fejler. Undgå direkte eksponering til stråling.

VARNING : Synlig och osynlig laserstråling när den öppnas och spärren är urkopplad. Betrakta ej strålen.

VARO : Avattaessa ja suojalukitus ohitettuna tai viallisena olet alttiina näkyvälle ja näkymättömälle lasersäteilylle. Vältä säteen kohdistumista suoraan itseesi.

REPRODUCTION AND POSITION OF LABELS

WARNING LABEL



CAUTION : Visible and Invisible laser radiation when open and interlock failed or defeated. AVOID DIRECT EXPOSURE TO BEAM.	ADVARSEL : Synlig og usynlig laserstråling når maskinen er åben eller interlocken fejler. Undgå direkte eksponering til stråling.	VARNING : Synlig och osynlig laserstråling när den öppnas och spärren är urkopplad. Betrakta ej strålen.	VARO : Avattaessa ja suojalukitus ohitettuna tai viallisena olet alttiina näkyvälle ja näkymättömälle lasersäteilylle. Vältä säteen kohdistumista suoraan itseesi.
(e)	(d)	(s)	(f)

SECTION 2
SPECIFIC SERVICE INSTRUCTIONS

This service manual does not describe SPECIFIC SERVICE INSTRUCTIONS.

SECTION 3 DISASSEMBLY

3.1 Receiver unit section

3.1.1 Removing the display unit (See Fig.1)

From the top side of the main body, pull the display unit out of the main body in the direction of the arrow.

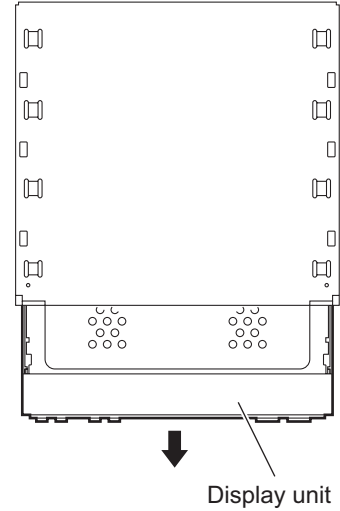


Fig.1

3.1.2 Removing the detach panel assembly (See Fig.2)

From the front side of the main body, slide the detach button in the direction of the arrow and remove the detach panel assembly.

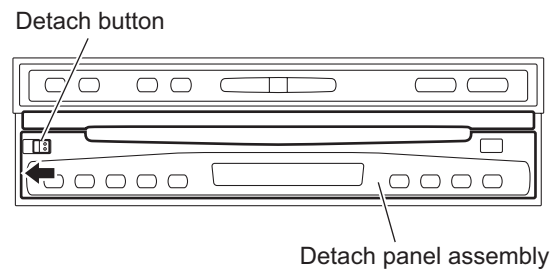


Fig.2

3.1.3 Removing the front panel assembly (See Figs.3 to 5)

- Remove the display unit and detach panel assembly as required.
 - From the both sides of the main body, remove the two screw **A** attaching the front panel assembly. (See Figs.3 and 4)
 - From the bottom side of the main body, remove the FPC cover. (See Fig.5.)
 - Release the lock of the connector **CN75** on the main board and disconnect the card wire. (See Fig.5.)
 - Release the joints **a** and remove the front panel assembly from the main body in the direction of the arrow. (See Fig.5.)

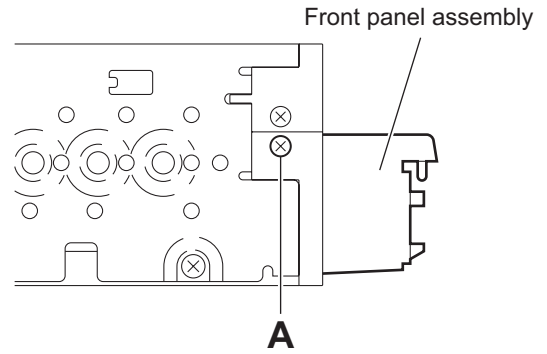


Fig.3

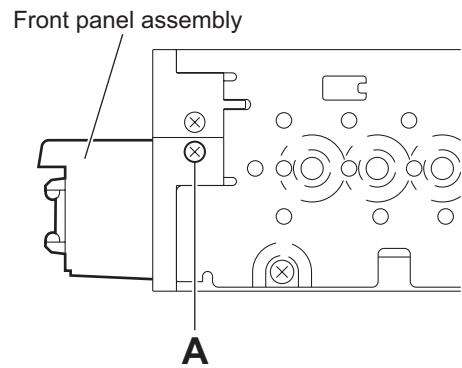


Fig.4

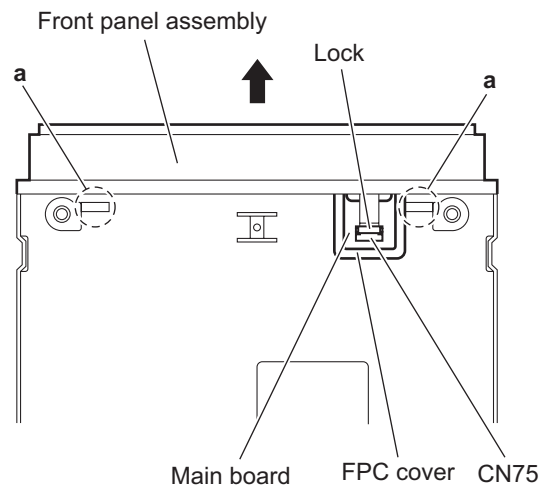


Fig.5

3.1.4 Removing the top drive unit (See Figs.6 to 9)

- Prior to performing the following procedures, remove the display unit, detach panel assembly and front panel assembly.
- (1) From the both sides of the main body, remove the four screws **B** attaching the top drive unit. (See Figs.6 and 7.)
- (2) From the rear side of the main body, remove the three screws **C** attaching the top drive unit. (See Fig.8.)
- (3) Remove the top drive unit from the main body and turn it inside out. (See Fig.9.)
- (4) Remove the two screws **C** attaching the F.P.C. guide on the display drive unit. (See Fig.9.)
- (5) Release the lock of the connector [CN301](#) on the mechanism board and disconnect the flexible wire. (See Fig.9.)
- (6) Remove the two screws **D** attaching the CN guide. (See Fig.9.)
- (7) Remove the three screws **E** attaching the PWB base. (See Fig.9.)
- (8) Remove the screw **F** attaching the connect board. (See Fig.9.)
- (9) Take out the connect board in the direction of the arrow. (See Fig.9.)
- (10) Release the lock of the connector [CN391](#) on the connect board and disconnect the flexible wire. (See Fig.9.)

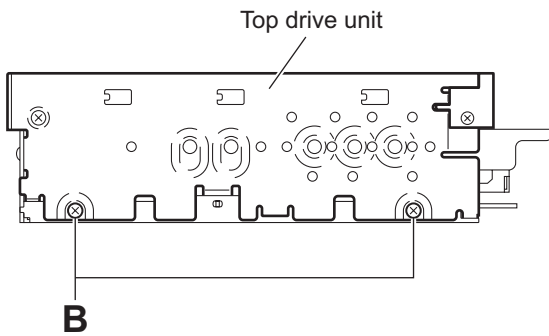


Fig.6

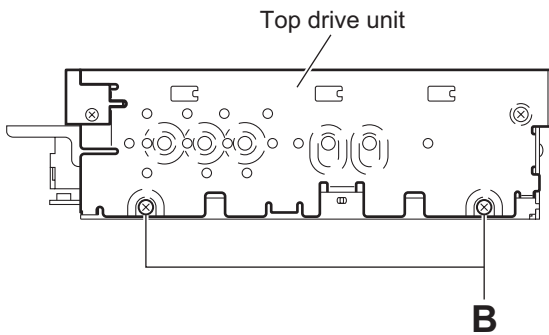


Fig.7

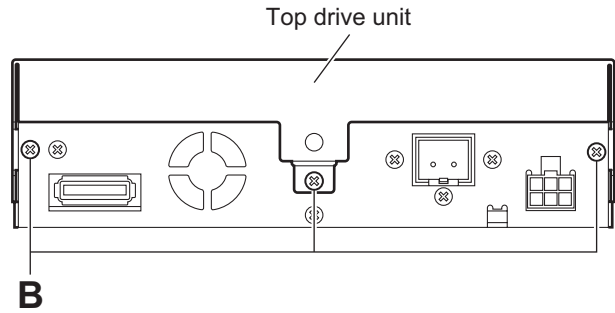


Fig.8

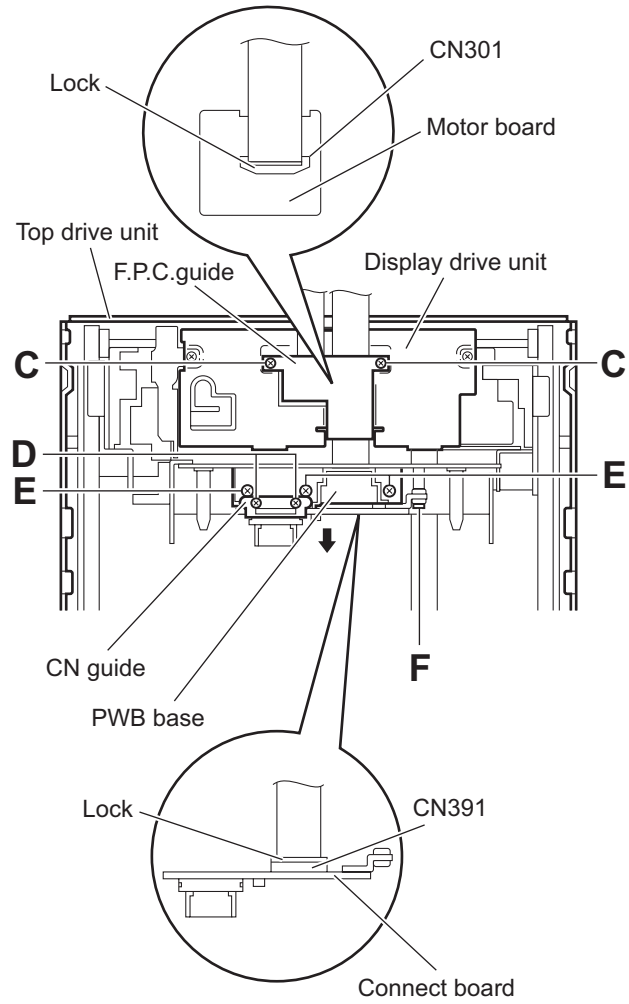


Fig.9

3.1.5 Removing the rear bracket (See Figs.10)

- Prior to performing the following procedures, remove the display unit, detach panel assembly, front panel assembly and top drive unit.
From the rear side of the main body, remove the five screws **G** attaching the rear bracket.

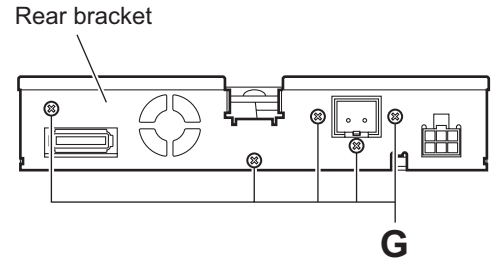


Fig.10

3.1.6 Removing the DVD mechanism assembly (See Figs.11 and 12)

- Prior to performing the following procedures, remove the display unit, detach panel assembly, front panel assembly and top drive unit.
 - (1) From the top side of the main body, release the lock of the connector [CN52](#) on the main board in an upward direction and disconnect the flexible wire. (See Fig.11.)
 - (2) Remove the two screws **H** and screw **J** attaching the mechanism cover. (See Fig.11.)
 - (3) Release the lock of the connector [CN101](#) on the main board in an upward direction and disconnect the card wire. (See Fig.12.)

Reference:

When connecting the card wire to the connector [CN101](#), pass it through the lower part of the mechanism bracket. (See Fig.12.)

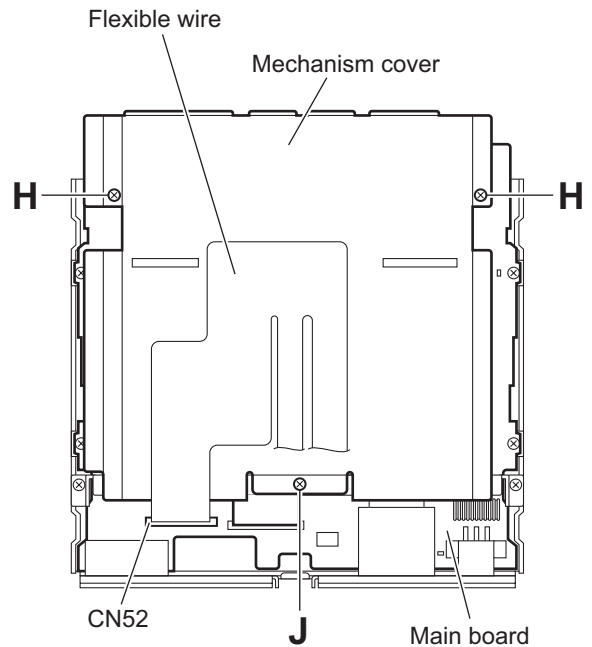


Fig.11

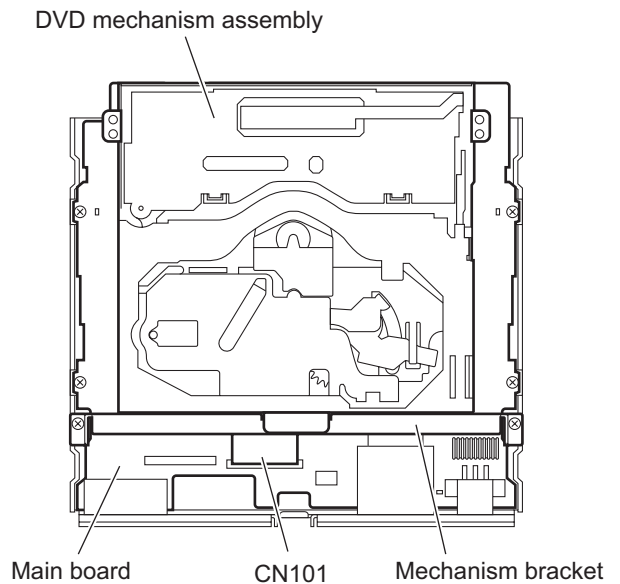


Fig.12

3.1.7 Removing the main board (See Figs.13 and 14)

- Prior to performing the following procedures, remove the display unit, detach panel assembly, front panel assembly, top drive unit and DVD mechanism assembly.
 - (1) From the rear side of the main body, remove the four screws **K** attaching the rear bracket. (See Fig.13.)
 - (2) From the top side of the main body, remove the two screws **L** attaching the mechanism bracket on the bottom chassis assembly. (See Fig.14.)
 - (3) Remove the five screws **M** and two screws **N** attaching the main board. (See Fig.14.)
 - (4) Take out the main board from the bottom chassis assembly.

Reference:

When attaching the main board on the bottom chassis assembly, align the projections **b** of the bottom chassis assembly in the hole of the main board. (See Fig.14.)

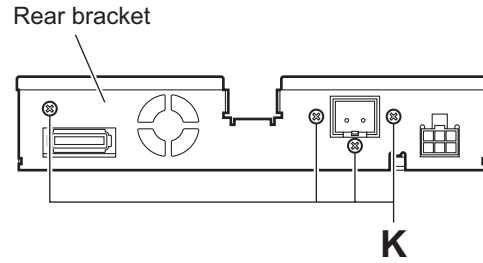


Fig.13

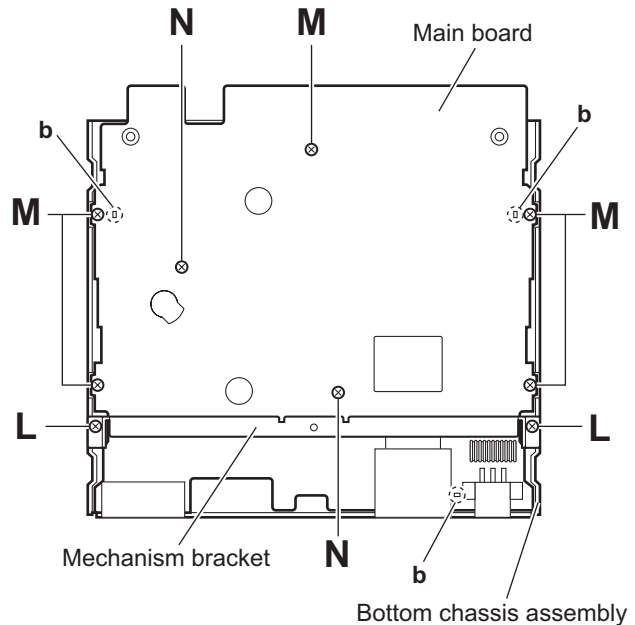


Fig.14

3.1.8 Removing the front board (See Fig.15)

- Prior to performing the following procedures, remove the detach panel assembly and front panel assembly.
 - (1) From the inside of the front panel assembly, remove the three screws **P** and screw **P'** attaching the front board.
 - (2) Take out the lock lever assembly from the front panel assembly.
 - (3) Bend the hooks **c** in the direction of the arrow.
 - (4) Release the front board from the sections **d** and take out the front board from the front panel assembly.

Reference:

When attaching the screw **P'**, attach the lock lever assembly with it.

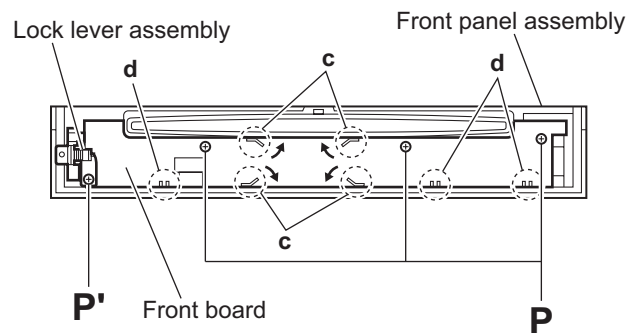


Fig.15

3.2 Top drive unit section

- Remove the top drive unit from the main body.
(See "3.1.4 Removing the top drive unit".)

3.2.1 Removing the display drive unit (See Fig.1)

- (1) From the both sides of the top drive unit, remove the two screws **A** attaching the display guides L/R and remove the display guides L/R from the top chassis assembly.
- (2) Slide the display drive unit by manual operation in the direction of the arrow and remove it from the top chassis assembly.

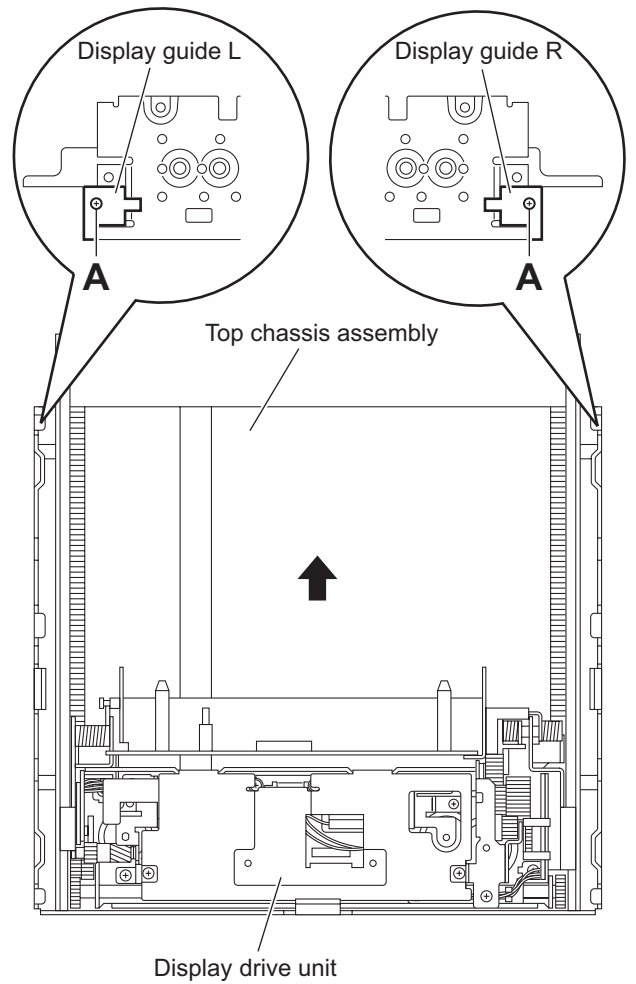


Fig.1

3.2.2 Removing the drive gears and forth gear (See Figs.2 to 4)

- Remove the display drive unit.

- From the both sides of the display drive unit, remove the four screws **B** attaching the guide rails (L)/(R). (See Figs.2 and 3.)
- From the top side of the display drive unit, pull the drive gears out of a drive gear shaft in the direction of the arrow while holding the drive gear shaft. (See Fig.4.)

Reference:

Remove the drive gear shaft as required. (See Fig.4.)

- From the left side of the display drive unit, remove the E.ring fixing the forth gear. (See Fig.4.)
- Remove the forth gear toward this side. (See Fig.4.)

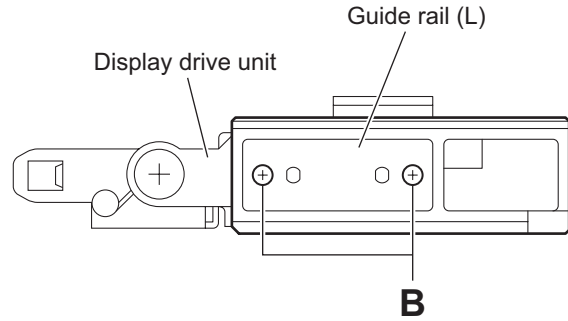


Fig.2

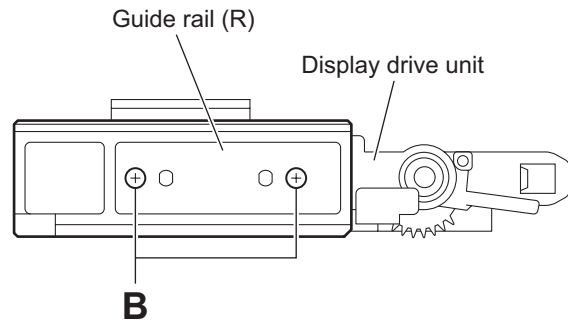


Fig.3

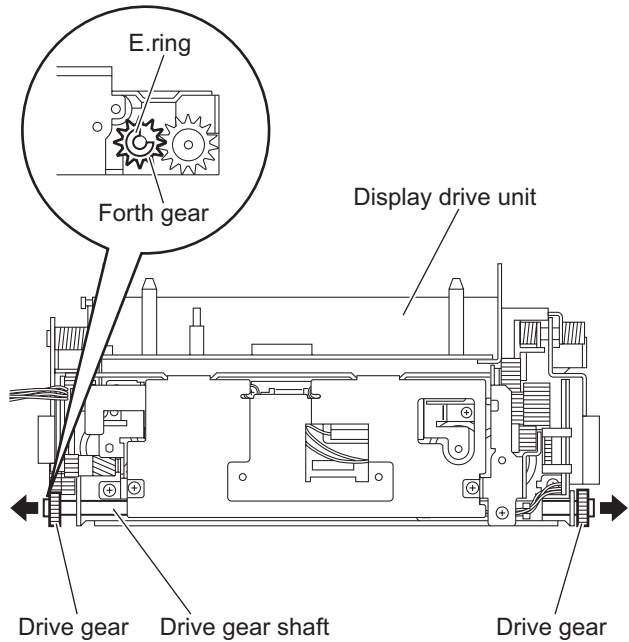


Fig.4

3.2.3 Removing the cover (See Fig.5)

- Remove the display drive unit.
From the top side of the display drive unit, remove the two screws **C** attaching the cover.

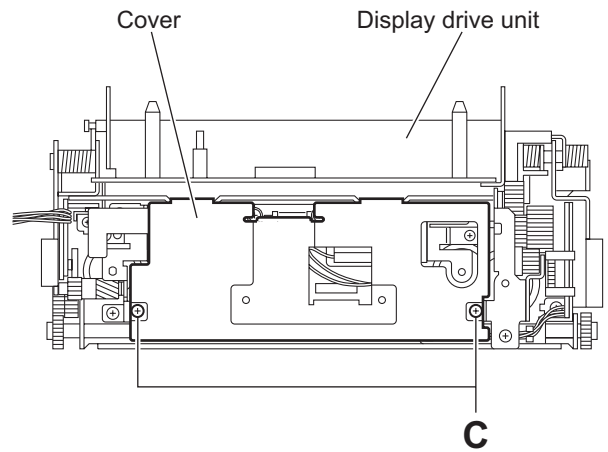


Fig.5

3.2.4 Removing the third gear, worm gear and double worm (See Figs.6 to 11)

- Remove the display drive unit and cover.

(1) Remove the wire sheet with the wire from the motor. (See Fig.6.)

Reference:

Disconnect the wire from the connector [CN332](#) on the motor board as required.

- Disconnect the wire from the connector [CN312](#) on the motor board. (See Fig.7.)
- Remove the two screws **D** attaching the motor bracket (S). (See Fig.7.)
- Take out the motor bracket (S), worm guide, motor and third gear together. (See Fig.7.)
- Pull the third gear out of the motor bracket (S) in the direction of the arrow. (See Fig.8.)
- Remove the two screws **E** attaching the motor and remove the motor from the motor bracket (S). (See Fig.9.)
- Pull the worm gear out of the motor. (See Fig.10.)

Reference:

When inserting the worm gear in the shaft of the motor, insert it by a measurement of a rule. (See Fig.10.)

- From the top side of the display drive unit, pull the double worm in an upward direction. (See Fig.11.)

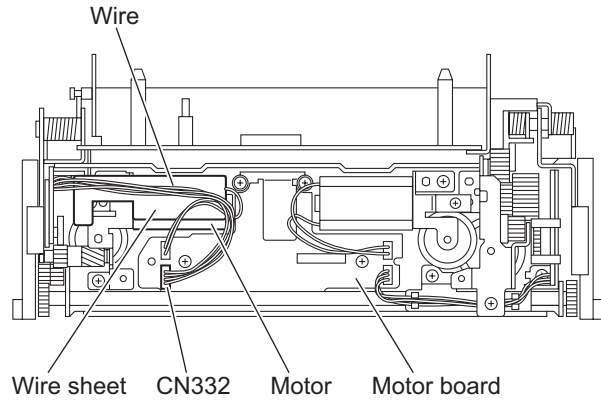


Fig.6

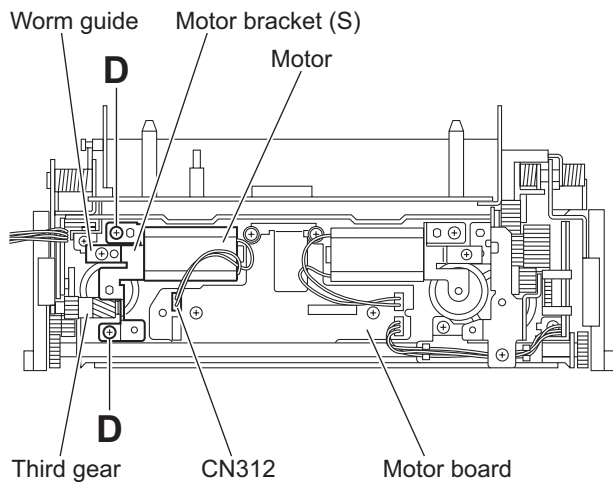


Fig.7

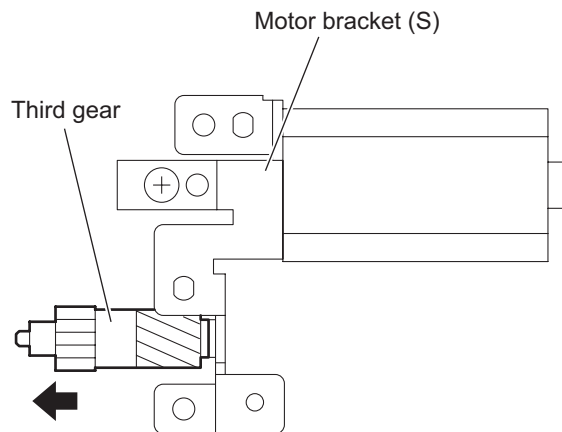


Fig.8

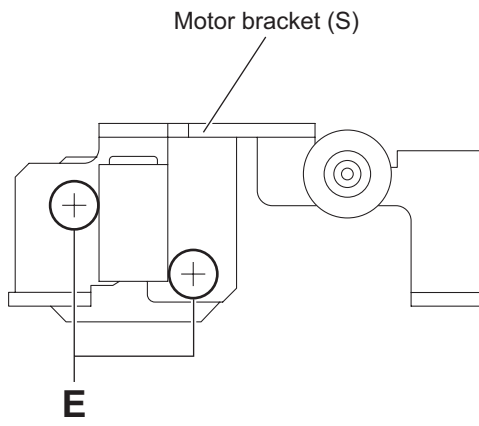


Fig.9

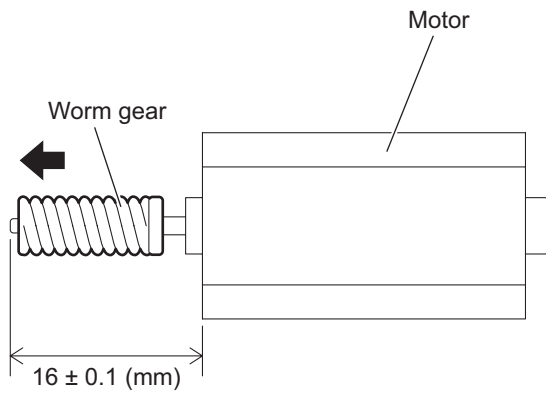


Fig.10

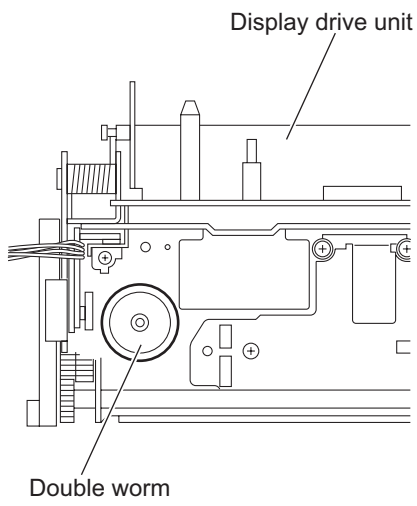


Fig.11

3.2.5 Removing the worm gear, motor bracket (A) and third worm (See Figs.12 to 16)

- Remove the display drive unit and cover.
 - Disconnect the wire from the connector [CN311](#) on the motor board. (See Fig.12.)
 - Remove the screw **F** attaching the motor bracket (A). (See Fig.12.)
 - Take out the motor bracket (A), worm guide and motor together. (See Fig.12.)
 - Remove the two screws **G** attaching the motor and remove the motor from the motor bracket (A). (See Fig.13.)
 - Pull the worm gear out of the motor. (See Fig.14.)

Reference:

When inserting the worm gear in the shaft of the motor, insert it by a measurement of a rule. (See Fig.14.)

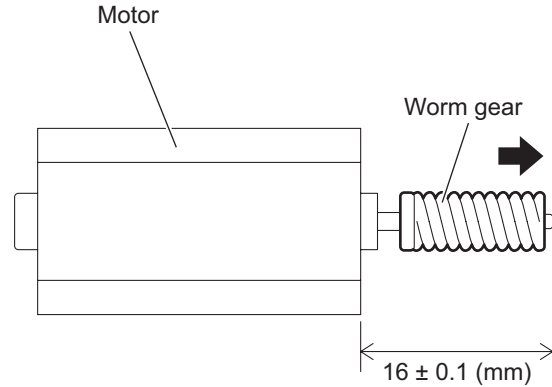


Fig.14

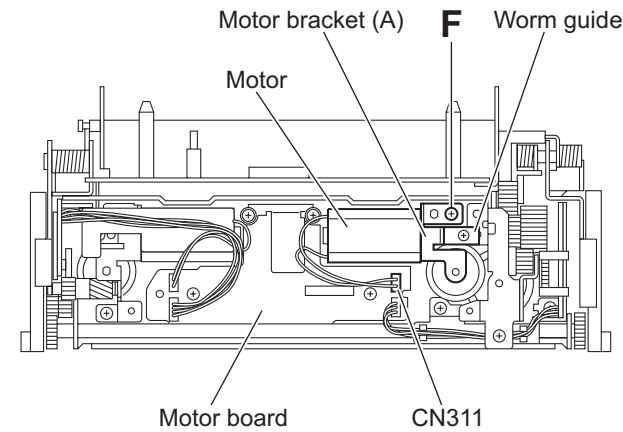


Fig.12

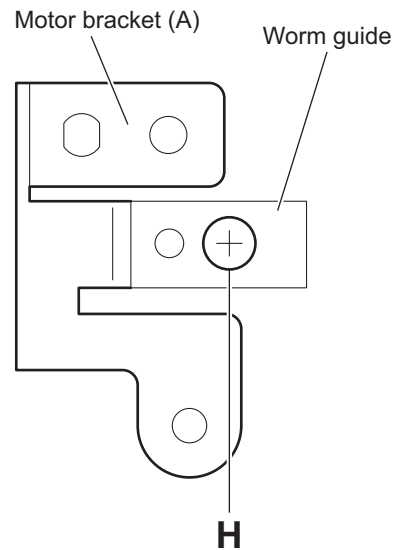


Fig.15

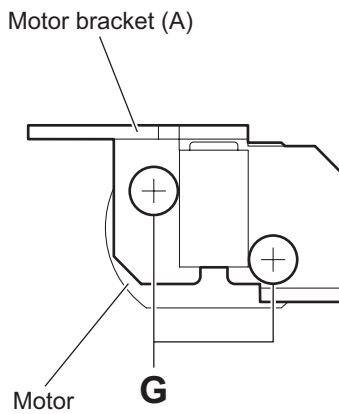


Fig.13

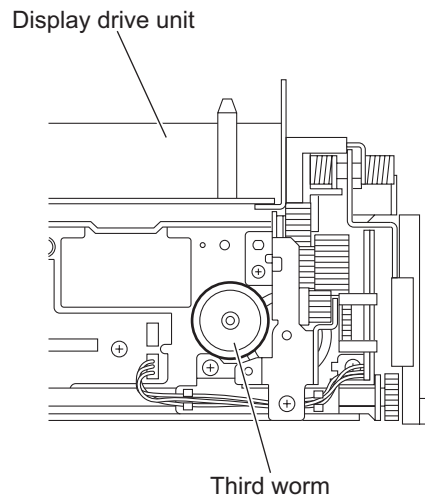


Fig.16

3.2.6 Removing the second wheel and R.L.S. gear (See Figs.17 to 24)

- Remove the display drive unit and cover.
 - (1) Disconnect the wire from the connector [CN311](#) on the motor board. (See Fig.17.)
 - (2) Remove the screw **J** attaching the motor bracket (A). (See Fig.17.)
 - (3) Take out the motor bracket (A), worm guide and motor together. (See Fig.17.)
 - (4) Remove the two screws **K** attaching the gear bracket assembly. (See Fig.18.)
 - (5) Take out the gear bracket assembly with other parts from the display drive unit.
 - (6) From the left side of the gear bracket assembly, remove the two screws **L** attaching the gear bracket cover. (See Fig.19.)
 - (7) Pull out the joint gear in the direction of the arrow. (See Fig.20.)
 - (8) Pull out the hex gear and second wheel together in the direction of the arrow. (See Fig.20.)
 - (9) Pull the second wheel out of the hex gear. (See Fig.21.)
 - (10) Pull the third gear in an upward direction. (See Fig.22.)
 - (11) From the top side of the display drive unit, disconnect the wire from the connector [CN331](#) on the motor board. (See Fig.22.)
 - (12) Remove the screw **M** attaching the R.L.S. bracket. (See Fig.22.)
 - (13) Take out the R.L.S. bracket with other parts from the display drive unit. (See Fig.22.)

Reference:

When attaching the R.L.S. bracket, pass the wire through the sections **a** on the wire holder as before. (See Fig.22.)

- (14) From the back side of the R.L.S. bracket, remove the screw **N** attaching the R.L.S. spring to the R.L.S. bracket and remove the R.L.S. spring in the direction of the arrow. (See Fig.23.)

Reference:

When attaching the R.L.S. spring, hang the torsion spring (R.L.S.) on the R.L.S. spring as before. (See Fig.23.)

- (15) From the front side of the R.L.S. bracket, remove the R.L.S. gear toward this side. (See Fig.24.)

Reference:

When attaching the R.L.S. gear, attach the torsion spring (R.L.S.) with it as before. (See Fig.24.)

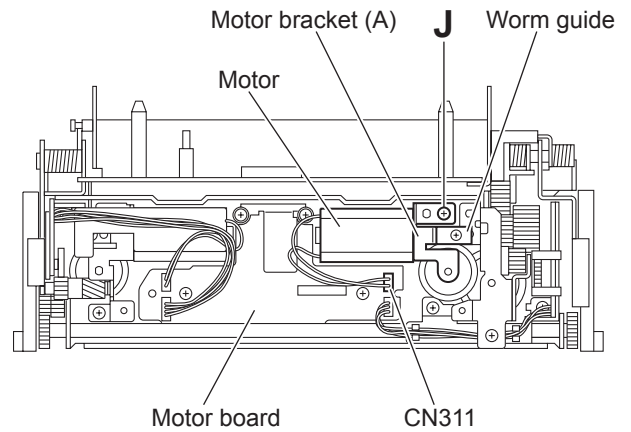


Fig.17

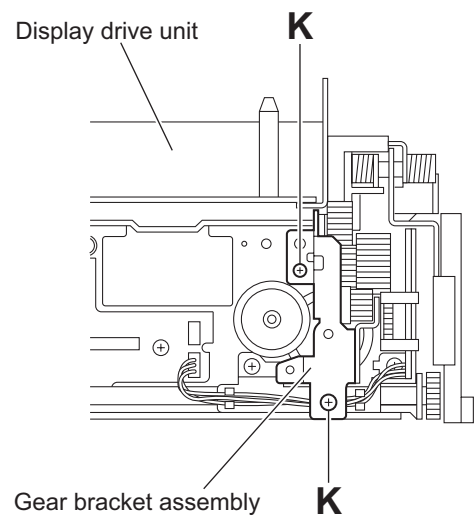


Fig.18

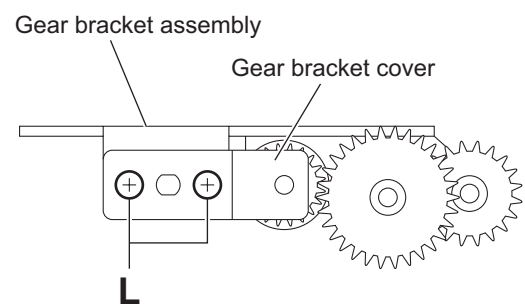


Fig.19

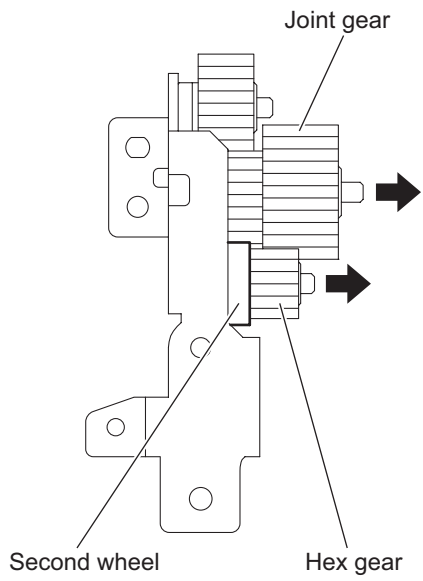


Fig.20

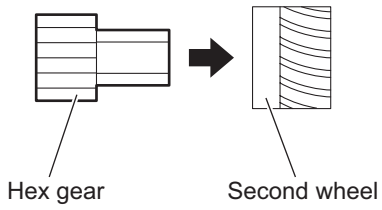


Fig.21

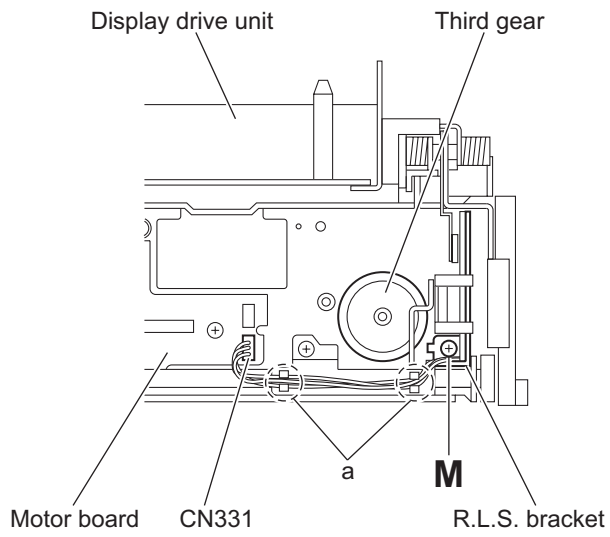


Fig.22

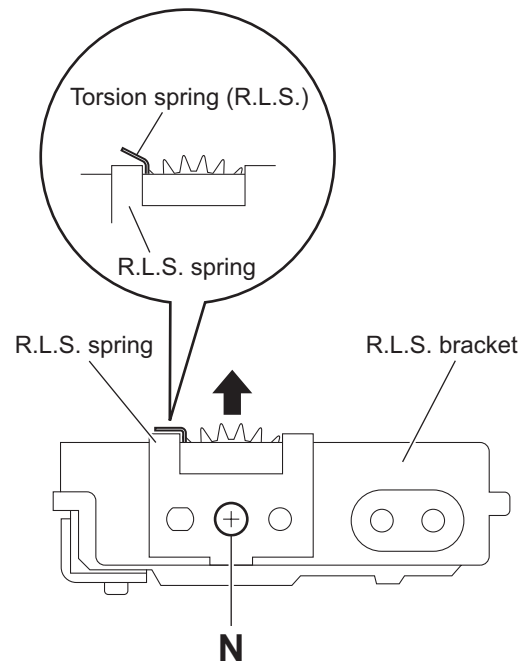


Fig.23

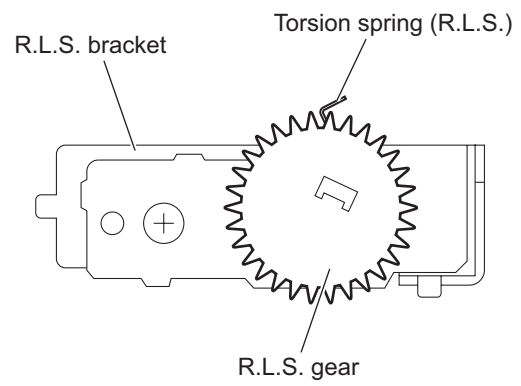


Fig.24

3.3 Display unit section

- Remove the display unit from the main body.
(See "3.1.1 Removing the display unit".)

3.3.1 Removing the display back panel (See Figs.1 to 3)

- (1) From the both sides of the display unit, remove the six screws **A** attaching the display back panel. (See Figs.1 and 2.)
- (2) From the rear side of the display unit, remove the three screws **A** attaching the display rear cover. (See Fig.3.)
- (3) Release the joints **a** first and release the joint **b**. (See Fig.3.)
- (4) Remove the display rear cover.

Note:

When releasing the joints **a** and joints **b**, take care not to break the claws of the display rear cover. (See Fig.3.)

- (5) Remove the four screws **B** attaching the display back panel. (See Fig.3.)
- (6) Take out the display back panel from the display unit.

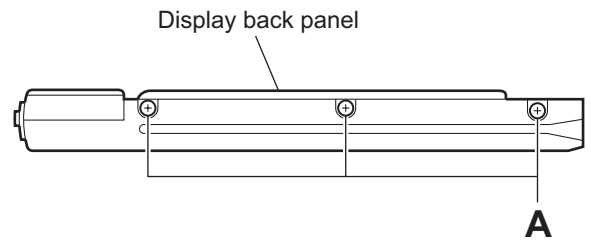


Fig.1

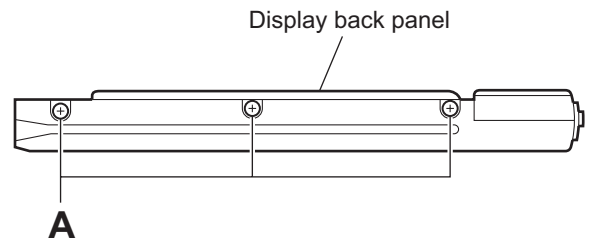


Fig.2

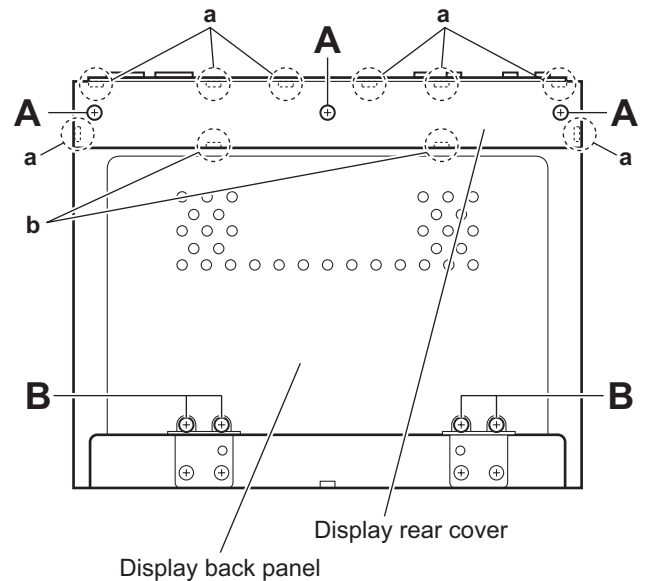


Fig.3

3.3.2 Removing the switch board (See Fig.4)

- Removing the switch board (See Fig.4)
 - (1) Release the lock of the connector [CN402](#) on the display board in the direction of the arrow and disconnect the card wire.

Reference:

After connecting the card wire, fix it with the spacer(H) as before.

- (2) Take out the switch board from the display unit.

3.3.3 Removing the display board (See Fig.4)

- Prior to performing the following procedures, remove the display back panel.

Reference:

Remove the switch board as required.

- (1) Release the lock of the connector [CN402](#) on the display board in the direction of the arrow and disconnect the card wire.
- (2) Release the locks of the connectors ([CN421](#), [CN451](#)) on the display board in the direction of the arrow and disconnect the flexible wire.
- (3) Disconnect the wire from the connector [CN471](#) on the display board.
- (4) Bend the hooks **c** in the direction of the arrow.
- (5) Remove the two screws **C** attaching the slider assembly.
- (6) Remove the tension spring from the section **d** and remove the slider assembly in the direction of the arrow 1.
- (7) Remove the three screws **D** attaching the display board and take out the display board from the display unit.

Reference:

After connecting the each wire, fix them with the spacer(H) as before.

3.3.4 Removing the LCD module (See Fig.5)

- Prior to performing the following procedures, remove the display back panel and display board.
Release the claws **e** in the direction of the arrow and take out the LCD module from the display panel.

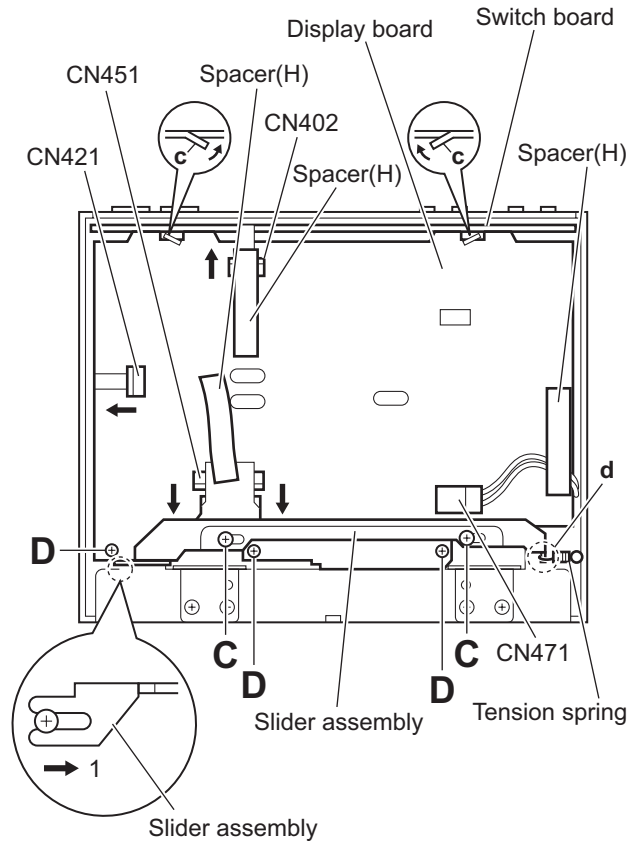


Fig.4

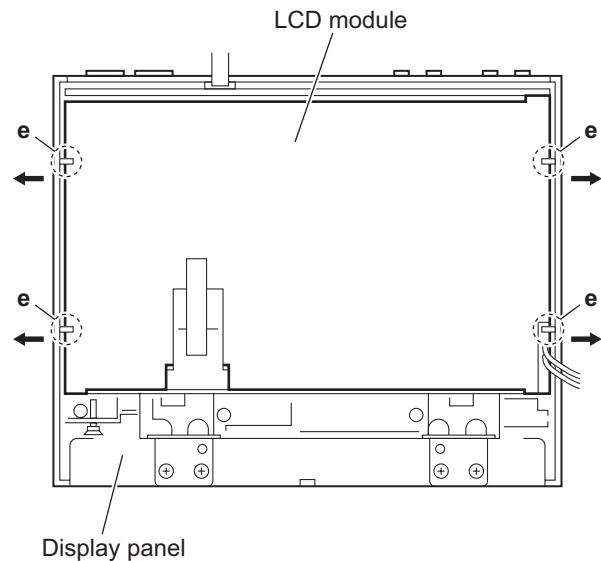


Fig.5

3.4 DVD mechanism assembly section

3.4.1 Removing the front end board

(See Fig.1)

Caution:

Before disconnecting the flexible wire extending from the DVD pickup, solder the short-circuit point on the flexible wire using a grounding soldering iron.

If you do not follow this instruction, the DVD pickup may be damaged.

- (1) Turn over the body, and solder the short-circuit points on the flexible wire extending from the DVD pickup.
- (2) Disconnect the flexible wire from connector [CN101](#) on the front end board.
- (3) Disconnect the card wire from connector [CN201](#) on the front end board.
- (4) Disconnect the flexible wire from connector [CN202](#) on the front end board.
- (5) Unsolder two soldered points **a** on the front end board and remove the wire extending from the feed motor.
- (6) Remove the two screws **A** and screw **B** attaching the front end board.

Caution:

- As the flexible wire to be connected to [CN101](#), make sure to attach it to the front end board using a double tape.
- After reassembling, unsolder the short-circuit points.

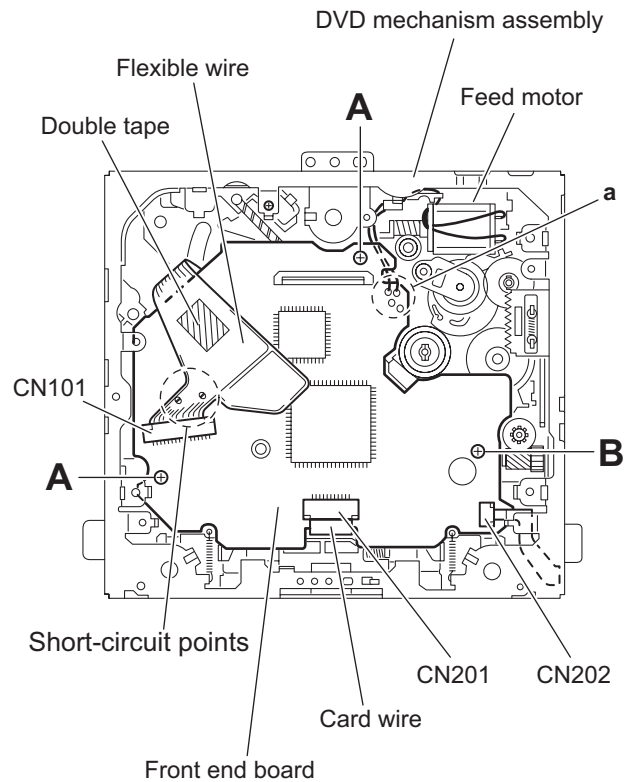


Fig.1

3.4.2 Removing the top cover (See Fig.2)

- (1) Remove the two screws **C** attaching the top cover on the back of the body.
- (2) Remove the top cover upward.

Reference:

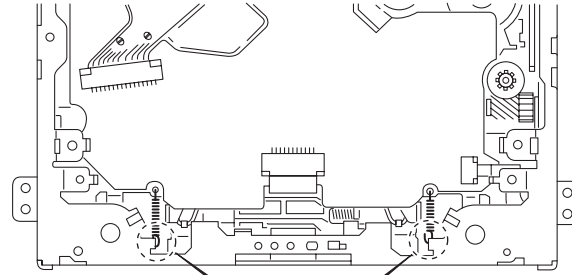
When reassembling, set part **b** of the top cover under the bending part **c** of the chassis frame.

3.4.3 Removing the mechanism section (See Figs.2 to 4)

- Remove the top cover.
 - (1) Remove the two screws **D** attaching the right and left stoppers on the front side. (See Fig.2.)
 - (2) Remove the two floating springs on the bottom of the body. (See Fig.3.)
 - (3) Move the mechanism section upward and remove from the chassis frame.
 - (4) The three damper springs (damper SP. (F) and damper SP. (R)) come off from the dampers (damper(F) and damper (R)). (See Fig.4.)

Caution:

- When reassembling, reattach the damper spring to the damper respectively and insert the three shafts on the bottom of the mechanism to the dampers.
- Before inserting the shaft to the dampers, apply IPA to the hole of the dampers.



Floating spring

Fig.3

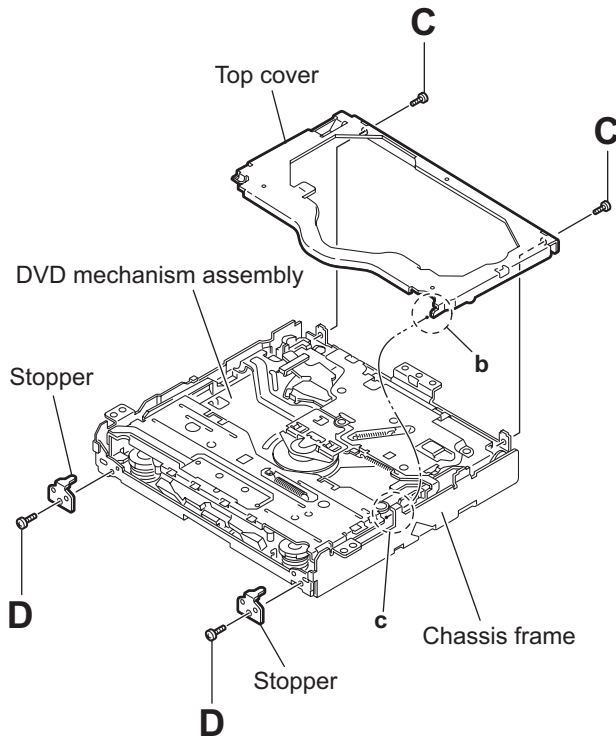


Fig.2

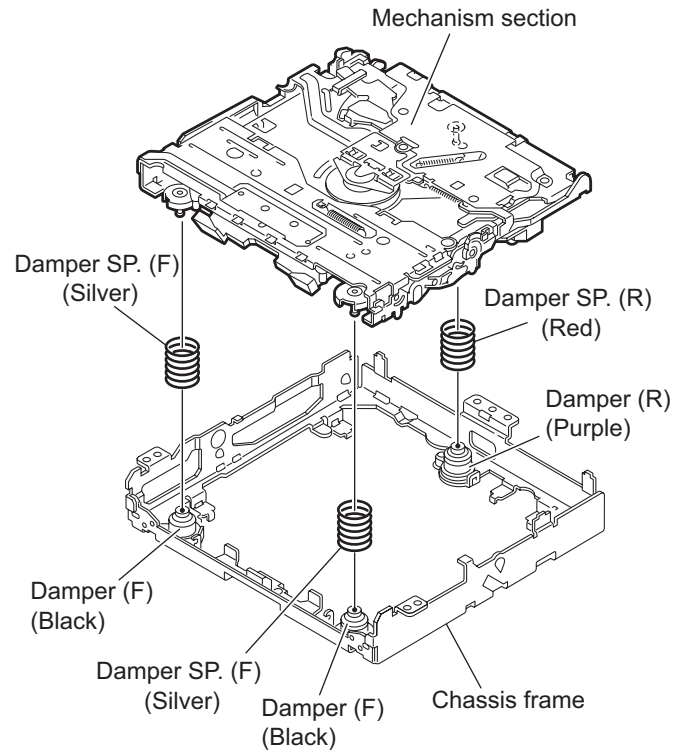


Fig.4

3.4.4 Removing the clamper unit (See Figs.5 to 7)

- Remove the top cover and the mechanism section.
 - Remove the clamper2 spring on the bottom of the mechanism section. (See Figs.5.and 6.)
 - Release the part **d** of the clamper spring from the bending part of the chassis base assembly. (See Fig.7.)
 - Move the clamper unit in the direction of the arrow and turn. Release the two joints **e** and **f**, then remove the clamper unit upward. (See Fig.5.)

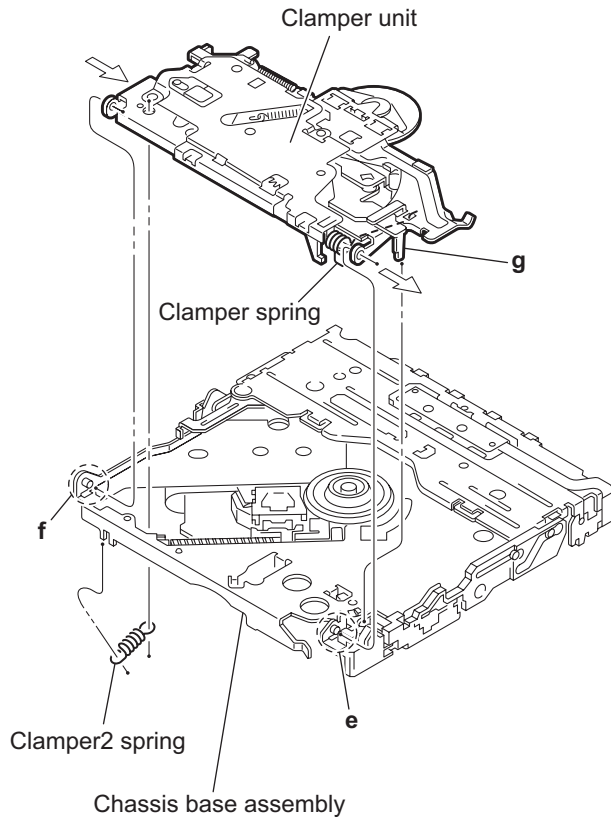


Fig.5

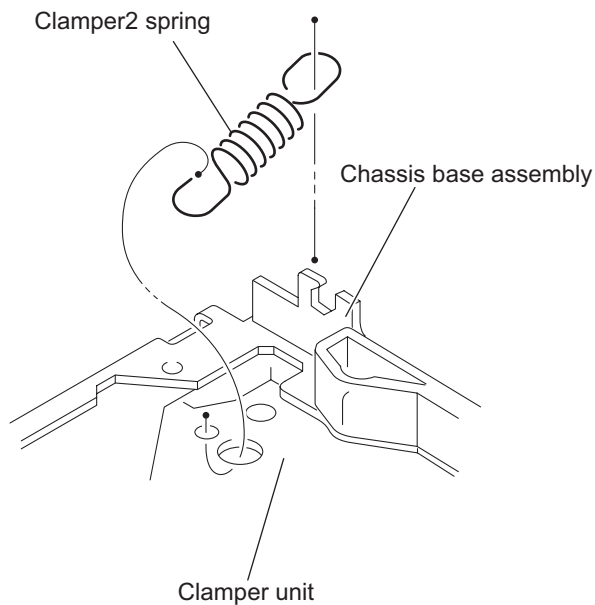


Fig.6

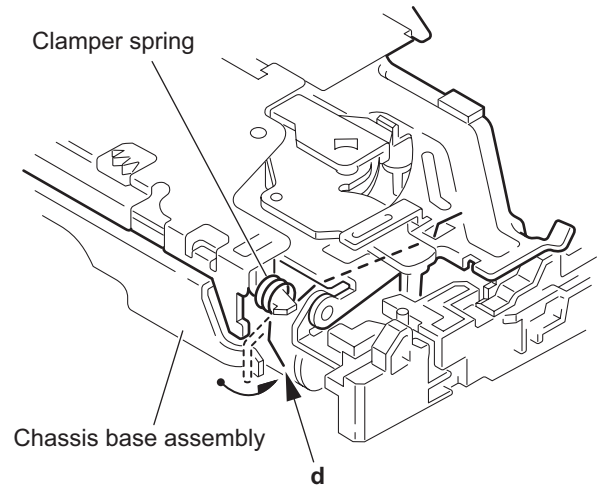


Fig.7

3.4.5 Reattaching the clamber unit (See Figs.5 to 9)

- (1) Attach the clamber spring to the clamber unit. (See Fig.8.)
- (2) Move the clamber unit to set the side joints **e** and **f** to each boss of the chassis base assembly. Make sure that part **g** is inserted to the notch of the chassis base assembly. (See Figs.5 and 9.)
- (3) Move the part **d** of the clamber spring to the outside of the bending part of the chassis base assembly. (See Fig.7.)
- (4) Attach the clamber2 spring to the chassis base assembly. (See Figs.5 and 6.)

Reference:

When reattaching, temporarily hook the end of the clamber spring as shown in the figure to make the work easy. (See Fig.8.)

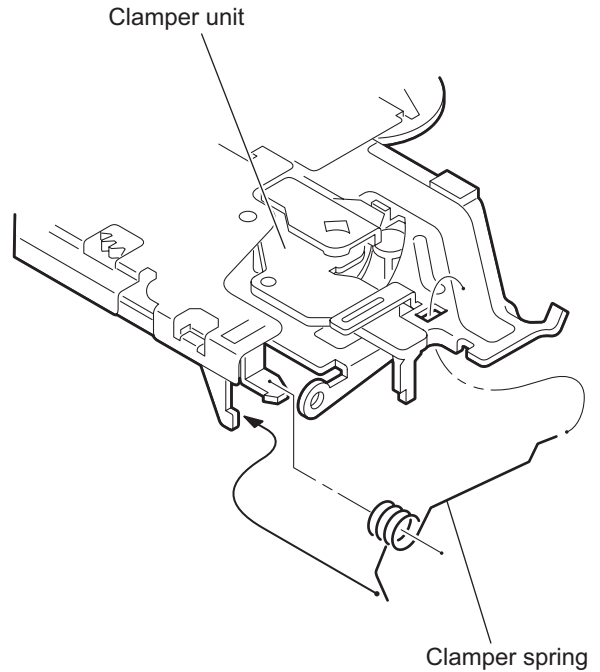


Fig.8

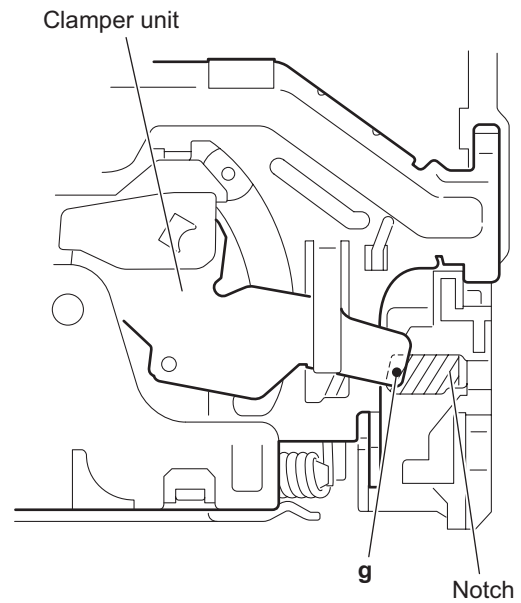


Fig.9

3.4.6 Removing the front unit (See Figs.10 to 12)

- Remove the top cover and the mechanism section.
 - (1) Disconnect the flexible wire from connector [CN202](#) on the front end board at the bottom of the body. (See Fig.10.)
 - (2) Remove the screw **E** attaching the front unit on the top of the body. (See Figs.11 and 12.)
 - (3) Move the front unit toward the front to release joint **h**, and release two joints **i** and **j** on the right side of the chassis base assembly. Then remove the front unit upward. (See Figs.11 and 12.)
 - (4) Remove the two screws **F** attaching the switch board. (See Fig.12.)

Reference:

You can remove the switch board only without removing the front unit.

Caution:

When reassembling, attach the flexible wire extending from the switch board using the double tape. (See Figs.10 and 12.)

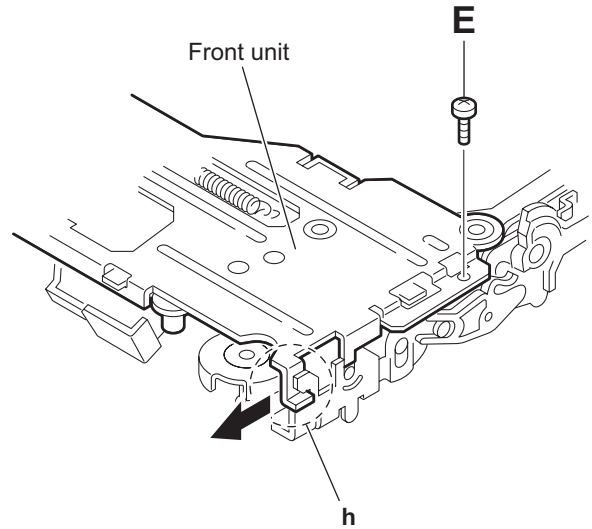


Fig.11

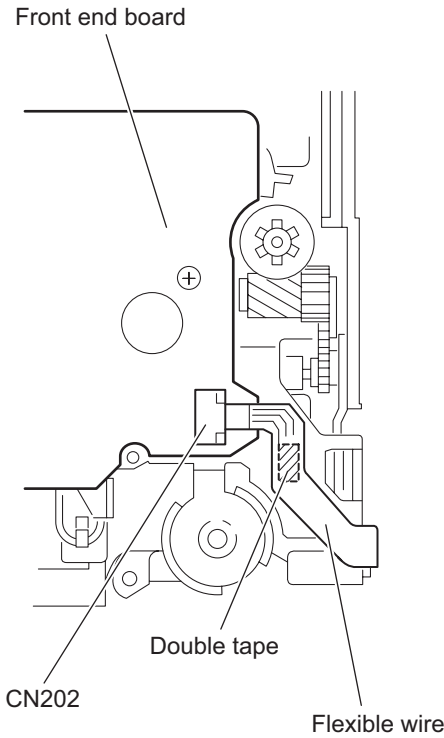


Fig.10

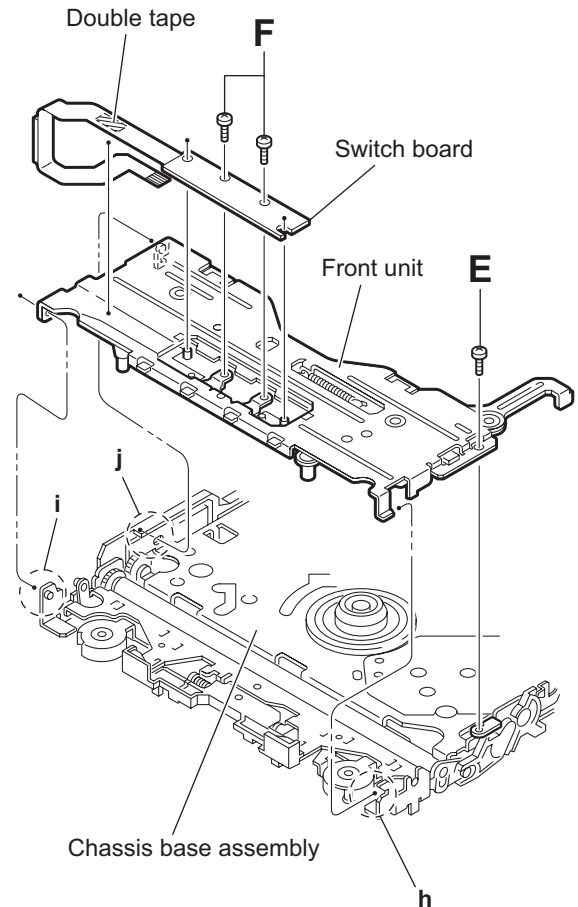


Fig.12

3.4.7 Removing the loading arm assembly.
(See Figs.13 and 14)

- Remove the top cover, the mechanism section and the front unit.
 - From the top of the body, move the loading arm assembly from the front side upward, and release the bosses from the right and left joints **k** and **m** of the chassis base assembly.
 - Release the boss from notch **n** of the connect arm on the right side of the body, and release the boss from notch **p** of the slide cam assembly on the left side.

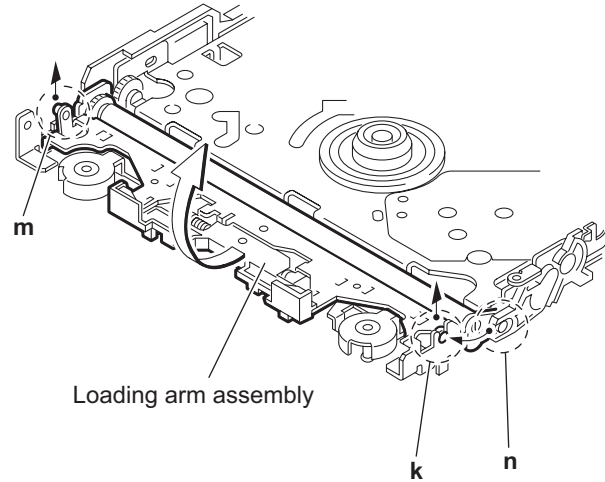


Fig.13

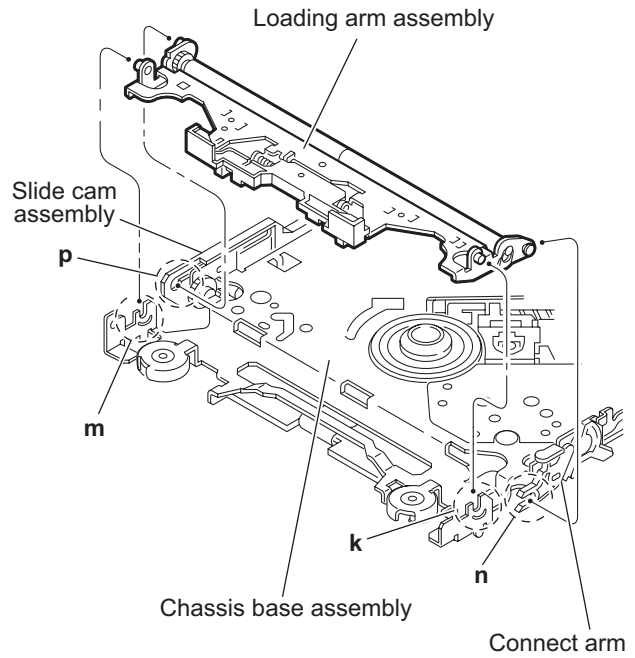


Fig.14

3.4.8 Removing the rod (L)(R)/roller assembly (See Figs.15 and 16)

- Remove the top cover, the mechanism section, the front unit and the loading arm assembly.
 - Release the rod (L) and (R) from the joints **q** at the bottom of the loading arm assembly. (See Fig.15.)
 - Remove the roller assembly from the loading arm assembly. (See Fig.16.)
 - Remove the two collars and washer from the roller assembly. (See Fig.16.)

Caution:

After attaching the loading arm assembly to the roller assembly, attach the rod (L) and (R). Attach the rods to the right and left collars of the roller assembly. (See Figs.15.)
When reattaching the rod (L) and (R) to the loading arm assembly, engage each joints **q** as shown in Fig.15. As joints **r** of the rod (L), let the rod through **r** before reattaching it.

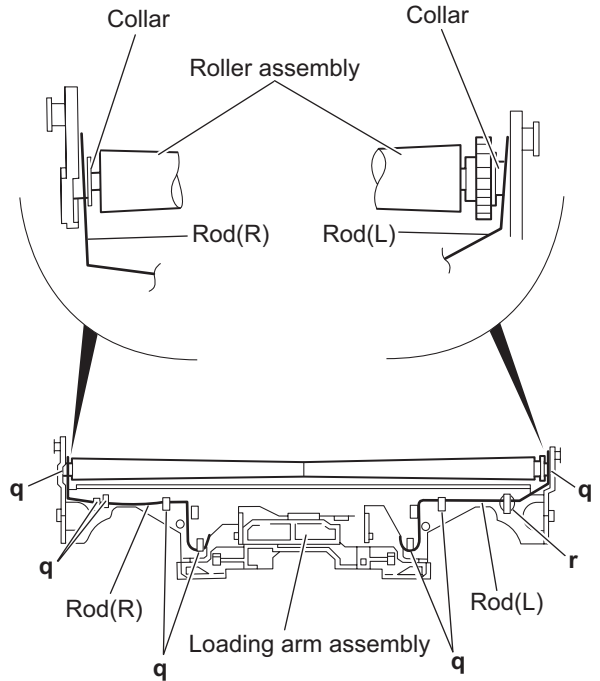


Fig.15

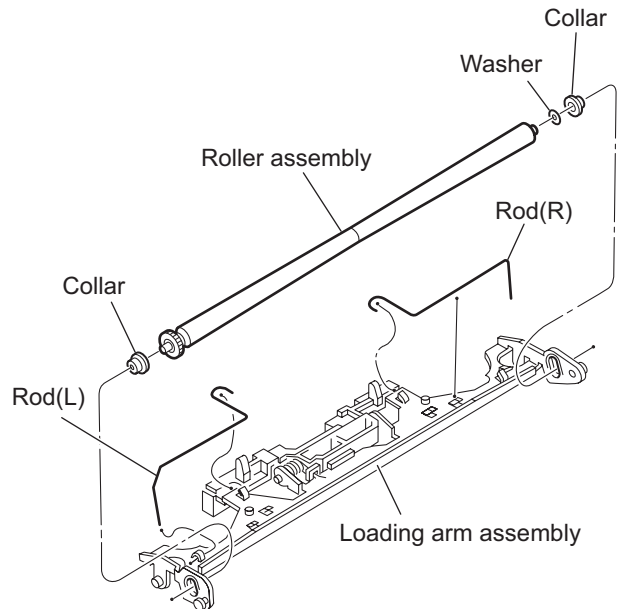


Fig.16

3.4.9 Removing the DVD pickup (See Figs.17 to 19)

- Remove the front end board.
 - (1) From the bottom of the body, turn the feed gear in the direction of the arrow to move the DVD pickup outwards. (See Fig.17.)
 - (2) Remove the screw **G** attaching the thrust spring. (See Fig.17.)
 - (3) Remove the DVD pickup assembly upward on the L.S. gear side and release from sub shaft at joint **s**. Move the lead screw of the DVD pickup assembly in the direction of the arrow to release from joint **t**. (See Fig.18.)
 - (4) Remove the screw **H** attaching the rack spring/ rack plate on the DVD pickup. (See Fig.19.)
 - (5) Pull out the lead screw. (See Fig.19.)

Caution:

- When releasing the lead screw, the L.S. collar comes off at the end of the lead screw. When reassembling, reattach the L.S. collar to the lead screw. (See Fig.19.)
- After reattaching the L.S. collar, reattach it to the point **t** of the lead screw, and to the holder (M). Make sure that the L.S. collar is set on the lod (M). (See Fig.18.)
- Perform adjustment after replacing the pickup.

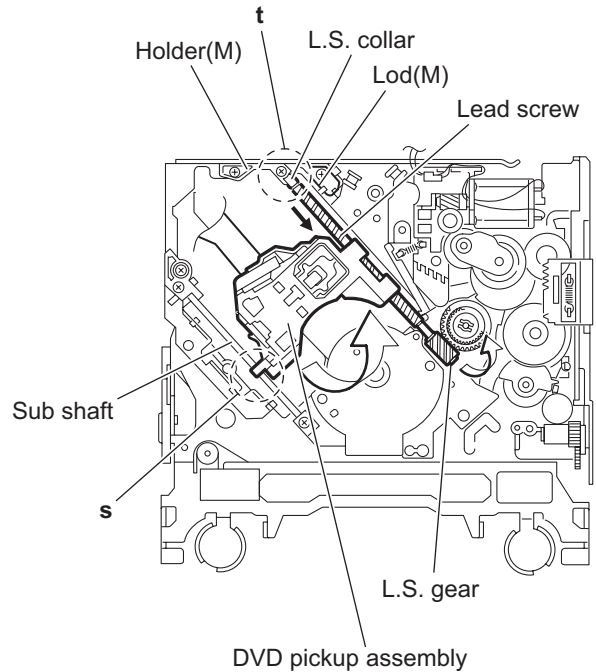


Fig.18

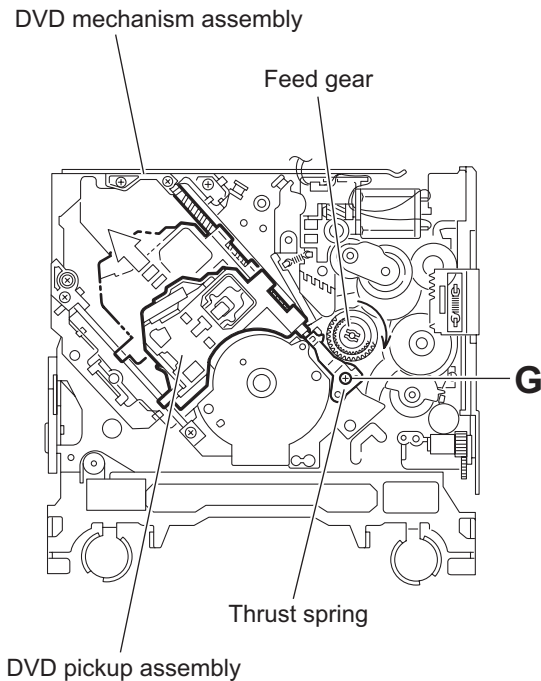


Fig.17

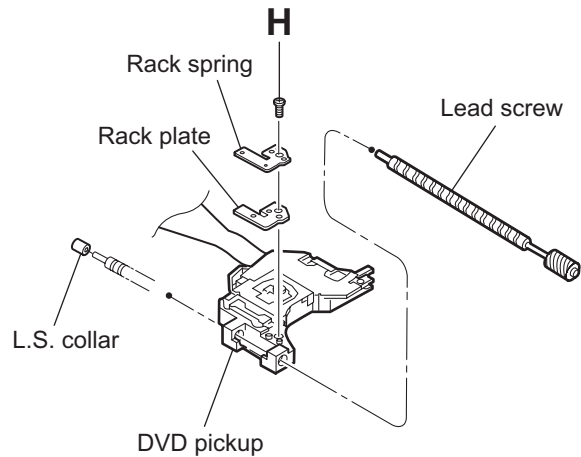


Fig.19

3.4.10 Removing the spindle motor (See Fig.20)

- Remove the front end board.
Remove the two screws **J** attaching the spindle motor on the bottom of the body.

Caution:

Perform adjustment when reattaching the spindle motor.

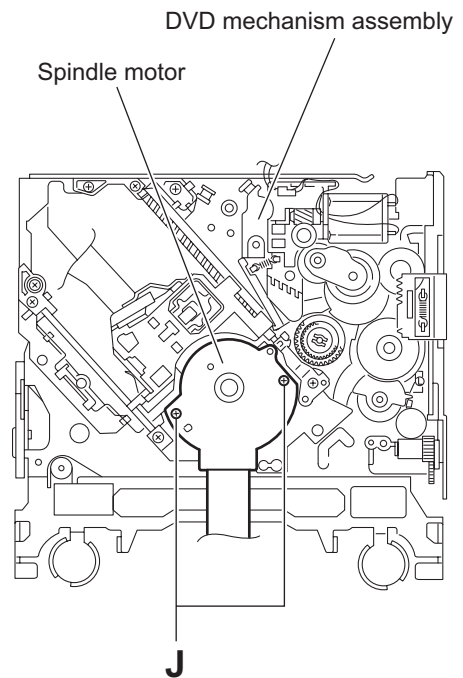


Fig.20

3.4.11 Removing the feed motor assembly (See Figs.21 and 22)

- Remove the front end board.
 - (1) Remove the feed TRI. spring on the bottom of the body. (See Fig.21.)
 - (2) Remove the two screws **K** attaching the feed motor assembly. (See Fig.21.)
 - (3) Remove the slit washer from the motor H. assembly and pull out the worm wheel. (See Fig.22.)
 - (4) Remove the two screws **L** attaching the feed motor. (See Fig.22.)

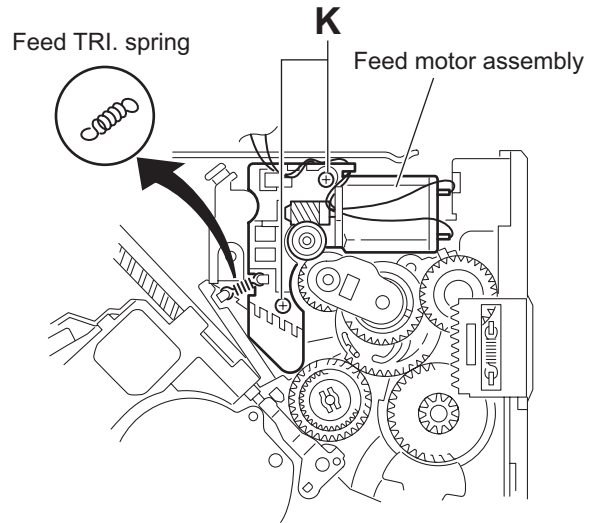


Fig.21

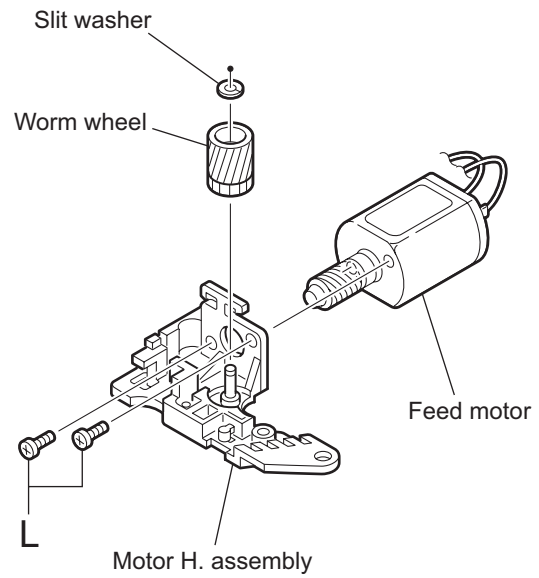


Fig.22

3.5 Hideaway unit section

3.5.1 Removing the top chassis

(See Figs.11 to 3)

- (1) From the both sides of the main body, remove the four screws **A** attaching the top chassis. (See Fig.1 and 2.)
- (2) From the front side of the main body, remove the three screws **A**, screw **B** and four screws **C** attaching the top chassis. (See Fig.3.)
- (3) Take out the top chassis from the main body in the direction of the arrow. (See Figs.1 to 3.)

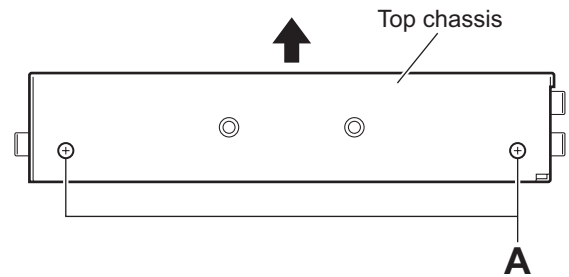


Fig.1

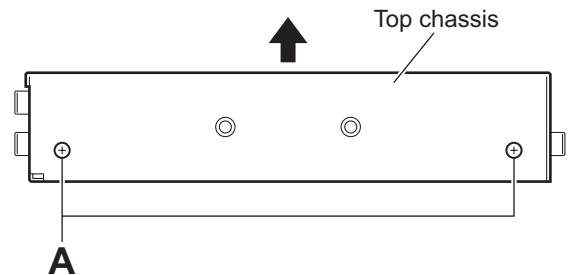


Fig.2

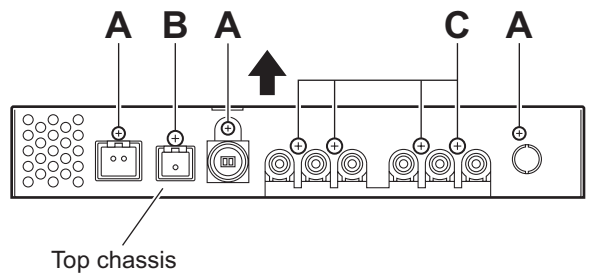


Fig.3

3.5.2 Removing the DSP board

(See Fig.4)

- Prior to performing the following procedures, remove the top chassis.
 - (1) Remove the four screws **D** attaching the DSP board.
 - (2) Disconnect the connector [CN901](#) from the hideaway board.

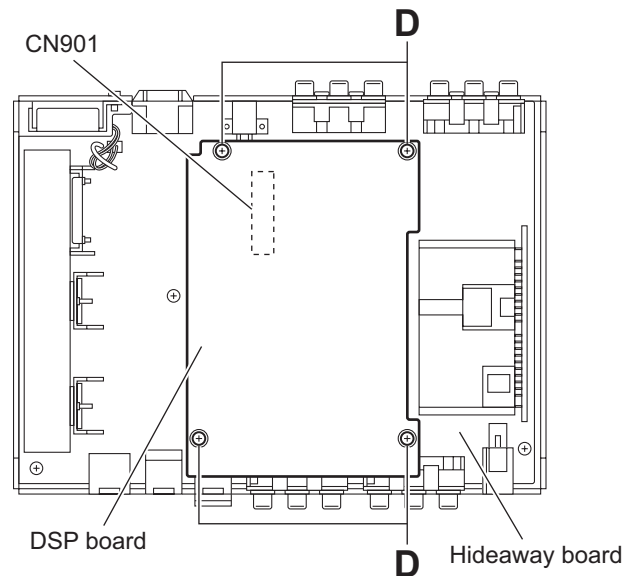


Fig.4

3.5.3 Removing the hideaway board (See Figs.5 and 6)

- Prior to performing the following procedures, remove the top chassis and DSP board.

- (1) From the rear side of the main body, remove the four screws **E** attaching the hideaway board. (See Fig.5.)
- (2) From the top side of the main body, disconnect the wire from the connector [CN601](#) on the hideaway board. (See Fig.6.)

Reference:

After connecting the wire to the connector [CN601](#), fix it with the wire holder as before. (See Fig.6.)

- (3) Remove the three screws **F** attaching the hideaway board. (See Fig.6.)
- (4) Take out the hideaway board from the bottom chassis assembly.

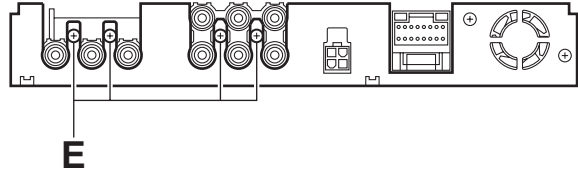


Fig.5

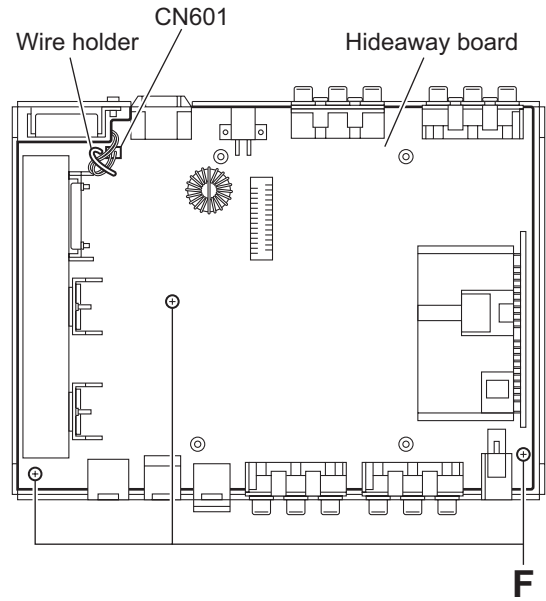


Fig.6

SECTION 4 ADJUSTMENT

4.1 Adjustment method

4.1.1 Test instruments required for adjustment

- (1) Digital oscilloscope (100MHz)
- (2) Jitter meter
- (3) Digital tester
- (4) Digital multi meter (For voltage measurement)
- (5) Electric voltmeter
- (6) Frequency counter
- (7) Tracking offset meter
- (8) Test Disc : VT501 or VT502
- (9) Extension studs : STDV001-3P
- (10) Extension cable : EXTAV70X-50PF

4.1.2 Standard measuring conditions

Power supply voltage	DC14.4V(11 to 16V)
Load impedance	4Ω(2 Speakers connection)
Line output	20kΩ

Caution:

Be sure to attach the heat sink and rear bracket onto the power amplifier IC and regulator IC respectively, before supply the power. If voltage is applied without attaching these parts, the power amplifier IC and regulator IC will be destroyed by heat.

4.1.3 Connection method

When confirming the mechanism movement, connect each unit shown in Fig.1.

Connection procedure

- (1) Connect the front panel assembly to the main board.
- (2) Attach the extension studs to the DVD mechanism assembly.
- (3) Connect the DVD mechanism assembly and the main board with a extension cable.
- (4) Connect the hideaway unit and the main board with an attached cable.
- (5) Fix the mechanism cover with tape in the top drive unit.
- (6) Hang the mechanism cover on the rear bracket.
- (7) Spread the wooden boards under the top drive unit in order to put it up shown in Fig.1.
- (8) Attach the display unit to the top drive unit.

4.1.4 Connecting diagram of extension cable

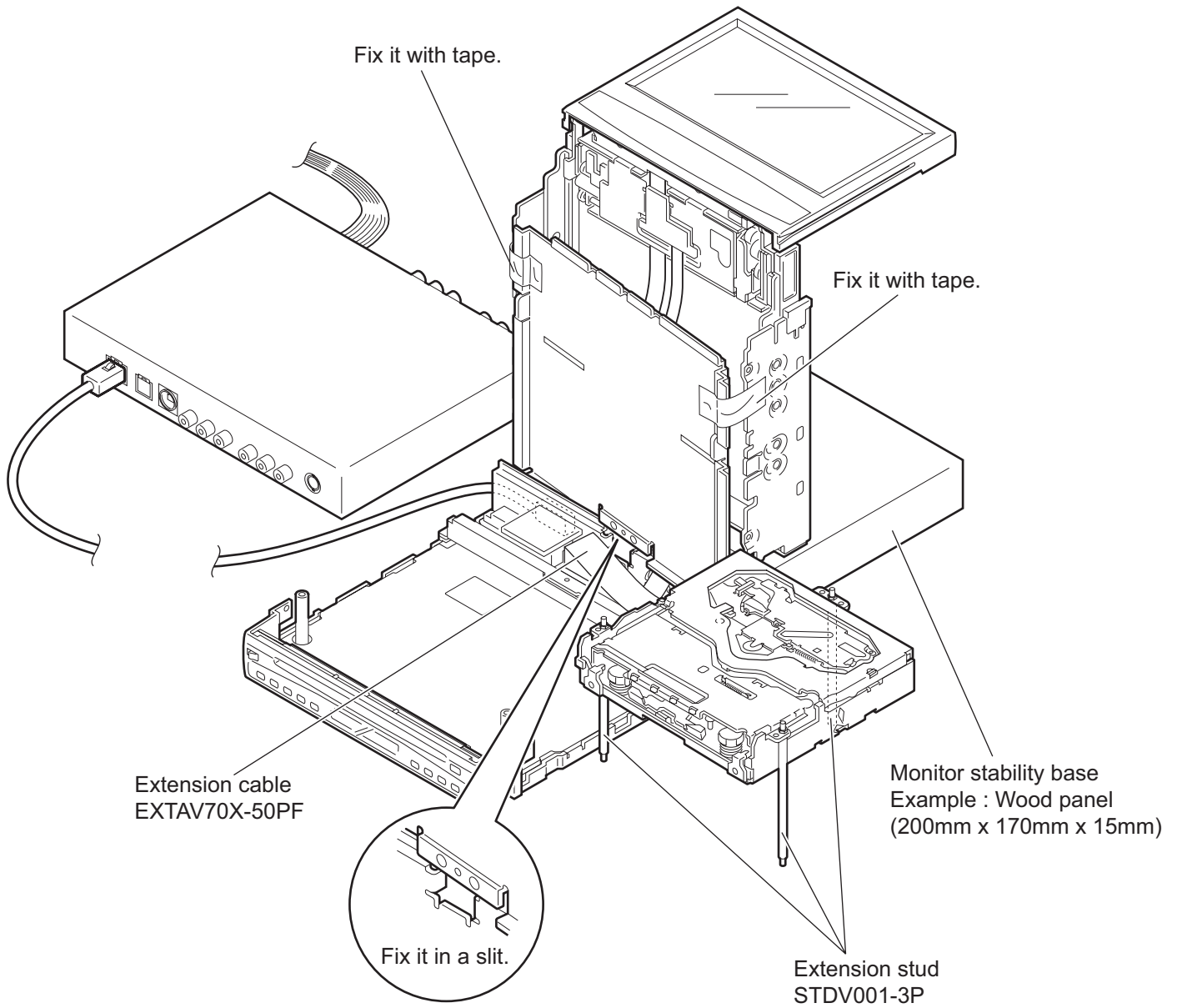


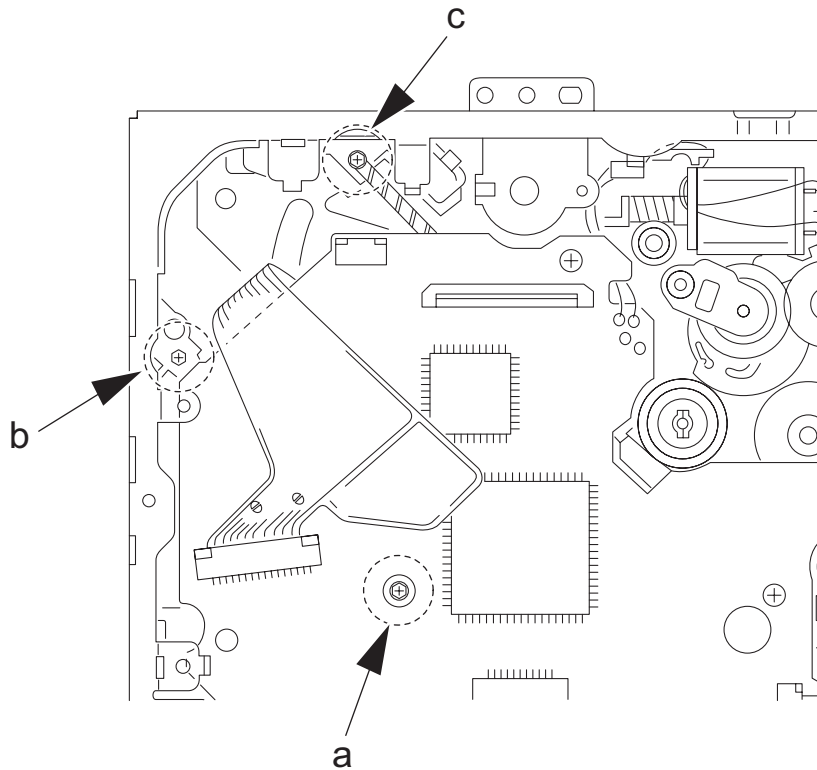
Fig.1

4.1.5 Adjustment method for jitter

After replacing the pickup, set the unit in the service mode to display a jitter value on the LCD. Confirm that the jitter value measured with a jitter meter is within 12.0% of the jitter value displayed on the LCD. If it is within 12.0%, then adjustment is not necessary. If the measured jitter value is outside the 12.0% tolerance range, perform the following adjustments.

4.1.5.1 Adjustment procedure

- (1) Connect each unit shown in Fig.1.
- (2) Set the unit to the service mode and display a jitter value (hex data) on the LCD.
- (3) Turn each of the screws a, b and c, by a half-turn per step, in the direction that reduces the jitter value in order to minimize it.
(Do not turn a screw more than a half turn at a time, but adjust the screws in the cycle of a → b → c → a.)
- (4) After completing the adjustment, secure the screws with screw lock paint.



Jitter value adjustment procedure (Pickup horizontal level adjustment relative to the DVD recording surface)(For the adjustment tool use a 3 mm wrench and not a screwdriver, this procedure will make the adjustment easier.)

3 mm wrench



4.1.6 Jitter value conversion table

Load the test disc and set the unit to the service mode. A jitter value converted to the hex value is displayed on the LCD. Refer to the corresponding decimal notation value shown in the following Jitter Conversion Table.

The adjustment is OK if the jitter value measured with a jitter meter is within 12.0% of the jitter value displayed on the LCD.

If the measured jitter value is outside the 12.0% tolerance range, adjust it to minimize the difference between the measured value and the displayed value.

Indicated on the LCD	JIT OUT	Jitter value (%)		Indicated on the LCD	JIT OUT	Jitter value (%)		Indicated on the LCD	JIT OUT	Jitter value (%)	
20A7	1957.98	4.7	3818	18C2	1856.9	8.5	3A11	10DC	1755.82	12.3	3C0A
2072	1955.32	4.8	3825	188C	1854.24	8.6	3A1E	10A7	1753.16	12.4	3C18
203D	1952.66	4.9	3832	1857	1851.58	8.7	3A2C	1072	1750.5	12.5	3C25
2008	1950	5.0	3840	1822	1848.92	8.8	3A39	103C	1747.84	12.6	3C32
1FD2	1947.34	5.1	384D	17ED	1846.26	8.9	3A46	1007	1745.18	12.7	3C40
1F9D	1944.68	5.2	385A	17B8	1843.6	9.0	3A54	FD2	1742.52	12.8	3C4D
1F68	1942.02	5.3	3867	1782	1840.94	9.1	3A61	F9D	1739.86	12.9	3C5A
1F33	1939.36	5.4	3875	174D	1838.28	9.2	3A6E	F68	1737.2	13.0	3C68
1EFE	1936.7	5.5	3882	1718	1835.62	9.3	3A7B	F32	1734.54	13.1	3C75
1EC8	1934.04	5.6	388F	16E3	1832.96	9.4	3A89	EFD	1731.88	13.2	3C82
1E93	1931.38	5.7	389D	16AE	1830.3	9.5	3A96	EC8	1729.22	13.3	3C8F
1E5E	1928.72	5.8	38AA	1678	1827.64	9.6	3AA3	E93	1726.56	13.4	3C9D
1E29	1926.06	5.9	38B7	1643	1824.98	9.7	3AB1	E5E	1723.9	13.5	3CAA
1DF4	1923.4	6.0	38C5	160E	1822.32	9.8	3ABE	E28	1721.24	13.6	3CB7
1DBE	1920.74	6.1	38D2	15D9	1819.66	9.9	3ACB	DF3	1718.58	13.7	3CC5
1D89	1918.08	6.2	38DF	15A4	1817	10.0	3AD9	DBE	1715.92	13.8	3CD2
1D54	1915.42	6.3	38EC	156E	1814.34	10.1	3AE6	D89	1713.26	13.9	3CDF
1D1F	1912.76	6.4	38FA	1539	1811.68	10.2	3AF3	D54	1710.6	14.0	3CED
1CEA	1910.1	6.5	3907	1504	1809.02	10.3	3B00	D1E	1707.94	14.1	3CFA
1CB4	1907.44	6.6	3914	14CF	1806.36	10.4	3B0E	CE9	1705.28	14.2	3D07
1C7F	1904.78	6.7	3922	149A	1803.7	10.5	3B1B	CB4	1702.62	14.3	3D14
1C4A	1902.12	6.8	392F	1464	1801.04	10.6	3B28	C7F	1699.96	14.4	3D22
1C15	1899.46	6.9	393C	142F	1798.38	10.7	3B36	C4A	1697.3	14.5	3D2F
1BE0	1896.8	7.0	394A	13FA	1795.72	10.8	3B43	C14	1694.64	14.6	3D3C
1BAA	1894.14	7.1	3957	13C5	1793.06	10.9	3B50	BDF	1691.98	14.7	3D4A
1B75	1891.48	7.2	3964	1390	1790.4	11.0	3B5E	BAA	1689.32	14.8	3D57
1B40	1888.82	7.3	3971	135A	1787.74	11.1	3B6B	B75	1686.66	14.9	3D64
1B0B	1886.16	7.4	397F	1325	1785.08	11.2	3B78	B40	1684	15.0	3D72
1AD6	1883.5	7.5	398C	12F0	1782.42	11.3	3B85	B0A	1681.34	15.1	3D7F
1AA0	1880.84	7.6	3999	12BB	1779.76	11.4	3B93	AD5	1678.68	15.2	3D8C
1A6B	1878.18	7.7	39A7	1286	1777.1	11.5	3BA0	AA0	1676.02	15.3	3D99
1A36	1875.52	7.8	39B4	1250	1774.44	11.6	3BAD	A6B	1673.36	15.4	3DA7
1A01	1872.86	7.9	39C1	121B	1771.78	11.7	3BBB	A36	1670.7	15.5	3DB4
19CC	1870.2	8.0	39CF	11E6	1769.12	11.8	3BC8	A00	1668.04	15.6	3DC1
1996	1867.54	8.1	39DC	11B1	1766.46	11.9	3BD5	9CB	1665.38	15.7	3DCF
1961	1864.88	8.2	39E9	117C	1763.8	12.0	3BE3	996	1662.72	15.8	3DDC
192C	1862.22	8.3	39F6	1146	1761.14	12.1	3BF0	961	1660.06	15.9	3DE9
18F7	1859.56	8.4	3A04	1111	1758.48	12.2	3BFD	92C	1657.4	16.0	3DF7

Calculation		
Indicated on the LCD	JIT OUT	Jitter (%)
1AD6	1883.5	7.5

4.1.7 Monitor adjustment

Procedure:

- (1) Install a monitor to the main unit in the state that took off a display back panel.
- (2) Switch on the main unit.
- (3) According to the following chart, perform each adjustment.

Item	Adjustment points	Adjustment volume	Adjustment value
Free Run Frequency adjustment	TP431	VR451	15.73kHz
Touch Panel Sensor adjustment	TP425	VR426	DC1.1V~DV1.4V
Touch Panel Sensor adjustment	TP426	VR428	DC1.1V~DV1.4V
Touch Panel Sensor adjustment	TP427	VR423	DC1.1V~DV1.4V
Touch Panel Sensor adjustment	TP428	VR425	DC1.1V~DV1.4V
Screen right and left adjustment	Monitor screen	VR441	Adjust it so that right and left position becomes it centrally.

4.2 Service mode

4.2.1 Jigs and test instruments

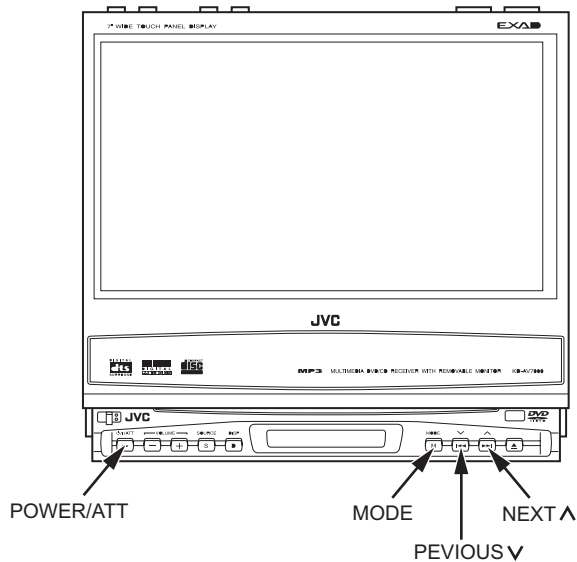
- (1) Test disc: VT-501, VT-502
- (2) NTSC signal generator (E version only)

4.2.2 Standard input/output conditions

Power supply voltage: C14.4V (11V to 16V)
Load impedance: 4 Ω (2 Speakers connection)
Line output: 20k Ω

4.2.3 Service mode setting procedure

(The DVD does not need to be loaded before starting the following procedure.)



1. Press a [POWER/ATT] button on a main unit and switch it on.
 2. Press the [NEXT ^] button and [PREVIOUS V] button simultaneously while pressing the [POWER/ATT] button on the main unit.
 3. This unit is set by a service mode and a service menu is displayed on the monitor..
- * Exchanging it operate a menu of a service mode with the [NEXT ^] button and [PREVIOUS V] button.
Operate choice of a menu with a [MODE] button.
4. The indication of monitor return to the normal menu by pressing the [POWER/ATT] button on the main unit.

4.2.4 Service mode menu

MENU

```

Service Mode Menu
MONITOR
TOUCH PANEL TEST
TOUCH PANEL CALIBRATION
AREA / REGION
VERSION
RUNNING MODE
CHECK MODE
EXPERT MODE
[NEXT] : UP [PREV] : DW [MODE] : ENT
    
```

* This menu scrolls it with the [NEXT^]/[PREVIOUSv] buttons.

AREA/REGION : Indication of destination and region

```

AREA / REGION
HIDE - AREA   : aa
B / E - AREA  : bb
B / E - REGION : cc

[MODE] : REGION CHANGE
    
```

aa ---- Destination of hideaway
 bb ---- Destination of DVD unit
 cc ---- Region of DVD unit

(Note)
REGION CHANGE not using it by service.

VERSION : Indication of microcomputer version

```

VERSION
SYS - VER      : aaaa  aa
F / E - VER    : bb
B / E - VER    : cc
SDK - VER      : dddddddddddd
GUI - VER      : eeee
MONITOR - VER  : gggg
HIDE - VER     : hhhh
TV - VER       : kkkk
CDCH - VER     : nnnn
    
```

aaaa aa ----- System control microcomputer version and ROM correction version
 bb ----- Front end microcomputer version
 cc ----- Back end microcomputer version
 dddddddddddd -- DVD back end SKD version
 eeee ----- GUI version
 gggg ----- Monitor version
 hhhh ----- Hideaway version
 kkkk ----- TV tuner version (In connection)
 nnnn ----- CD changer version (In connection)

RUNNING MODE (For use in various running tests)

(Note)
This mode not using it by service.

CHECK MODE : Check mode for DVD unit

```

CHECK  MODE
CURRENT : ****
JITTER : ####

EJECT
CLOSE
NOMAL PLAY
OUT - TRACKING OFF
IN - TRACKING OFF
CD - LASER ON

[NEXT] : UP [PREV] : DW [MODE] : ENT
    
```

* This menu scrolls it with the [NEXT^]/[PREVIOUSv] buttons.
 * A thing without CURRENT/JITTER indication is space.
 * See "4.2.5 DVD unit check mode" for details.

EXPERT MODE (DVD unit expert mode)

(Note)
This mode not using it by service.

TEMPERATURE : Data in the temperature sensor in the system controller/hideaway is read every 5 seconds and displayed in hex numbers.

(A)

(A)

READ ERROR : Indication of an error history
* See "4.2.6 Error code table" for details.

- LOADING/EJECT mechanism error
- Monitor mechanism error
- Changer error

"TOTAL ERROR :zzzzzz"

Total error count
(A figure between 0 and 999999 is displayed.
1000000 or more is also displayed as 999999.)

"E-n :xyyyyy" ----- (First five error codes)

↑ Detailed error code
↑ Error code
↑ Counter

"E0n :xyyyyy" ----- (Latest three error codes)

↑ Detailed error code
↑ Error code
↑ Counter

CLEAR ERROR : Clear error history

- The error history (LOADING/EJECT mechanism, monitor mechanism and changer) is cleared.
- The error history stored in the EEPROM is cleared. (by writing 00h)
- "COMPLETE" is displayed by a monitor after clear was finished.

INITIALIZE : Initialize user set data

The system controller EEPROM is initialized except for the error history.

INITIALIZE ALL : Initialize all data to the factory setting

The system controller EEPROM is initialized entirely.

MEMORY CHECK : Check indication is done with a normal screen.

(Note)
This mode not using it by service.

MONITOR : Monitor service mode

* See "4.2.7~4.2.9 Monitor adjustment" for details.

MONITOR MECHA CHECK : Check mode of a monitor mechanism

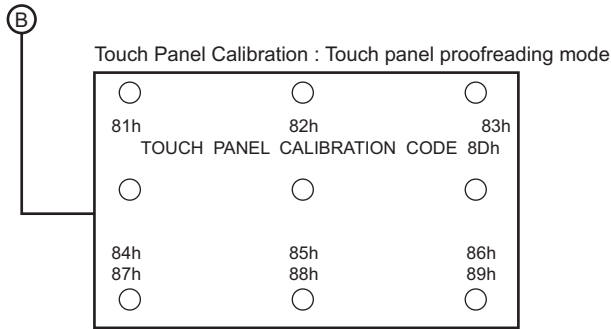
(Note)
This mode not using it by service.

DEMO SET UP : Change of a demonstration mode is done.

Touch Panel Test : GUI is set in the touch panel test mode

Confirmation of a position gap of touch panel
* Cancellation of this mode do long push of the [POWER/ATT] button.

(B)



- * See "4.2.10 Touch panel manual operation proofreading procedure" for details.
- Push ○ with a finger from 81h in turn.
- After the proofreading end, push the [PREVIOUS ▼] button in order to switch off the panel.
- An effective key in a proofreading mode
 - [NEXT ▲] : 1. Monitor power supply ON
2. Touch panel proofreading mode ON
 - [PREVIOUS ▼] : 1. Touch panel proofreading mode OFF
2. Monitor power supply OFF
 - [POWER/ATT] : Power supply OFF (Proofreading mode cancellation)

4.2.5 DVD unit check mode

No.	Key	DVD unit operation	Remark
1	NORMAL PLAY	Disc startup and through playback (Playback starts from the start position)	
2	OUT TRACKING	Tracking off the outermost position of CD	For EF phase error
3	IN TRACKING OFF	Tracking off the innermost position of CD	For EF phase error
4	CD-LASER ON	CD_LD lights and laser current is displayed	**** : Laser current value #### : Jitter value
5	DVD-LASER ON	DVD_LD lights and laser current is displayed	**** : Laser current value #### : Jitter value
6	DVDx1 JITTER MODE	DVD x1 jitter measuring mode (for use in mechanism adjustment)	**** : Laser current value #### : Jitter value
7	EEPROM DATA+	Contents of EEPROM used by mechanism (0x00 - 0xFF) displayed (FWD)	**** : EEPROM address #### : EEPROM contents
8	EEPROM DATA-	Contents of EEPROM used by mechanism (0x00 - 0xFF) displayed	**** : EEPROM address #### : EEPROM contents
9	EEPROM DATA CLEAR	Initialization of EEPROM contents used by the mechanism	
10	DVD-SL	Search & jitter measurement of the specified position of DVD-SL	**** : 0x00-0x02 (Position measured with VT-502) #### : Jitter value
11	DVD-DL (PARALLEL)	Search & jitter measurement of the specified position of parallel disc of the DVD-DL	**** : 0x00-0x06 (Position measured with VT-501) #### : Jitter value
12	DVD-DL (OPPOSITE)	Search & jitter measurement of the specified position of opposite disc of DVD-DL	**** : 0x00-0x06 (Position measured with VT-501) #### : Jitter value
13	PLAY	Disc playback	**** : Laser current value #### : Jitter value
14	STOP	Disc stopped & LD-OFF	
15	EJECT	OPEN	
16	CLOSE	CLOSE	

- * Indication is displayed in hex numbers.
- The check mode can be exited by pressing the [POWER] key.

4.2.6 Error code table

(1) Error code table of LOADING/EJECT mechanism error

Error code (1 byte)

First byte	[01] Eject error [09] Loading error
------------	--

Detailed error codes (2 bytes)

First byte	Higher 4 bits ▪ ▪ ▪ ▪ Route No. (Process of error occurrence) → Refer to charts 1.1 and 1.2. Lower 4 bits ▪ ▪ ▪ ▪ Error type [1] Time out [2] Switch status defectiveness [3] Swinging error
Second byte	bit7 ▪ ▪ ▪ ▪ Disc type (0: 12 cm. 1: 8 cm) bit6,5 ▪ ▪ ▪ Fixed at 0 bit4 ▪ ▪ ▪ ▪ SW1 status bit3 ▪ ▪ ▪ ▪ SW2 status bit2 ▪ ▪ ▪ ▪ SW3 status bit1 ▪ ▪ ▪ ▪ SW4 status bit0 ▪ ▪ ▪ ▪ REST SW status

(Example) When a switch status error occurs during loading route 3 and the switch status is L/L/H/H/H (00111B = 07H), the error code and detailed error code become: [09 3207].

Route No. (EJECT route No.)	SW1/2/3/4	[Rest SW]	Loading	Eject	Reload
-	1,1,1,1	[0]	No Disc	No Disc	Disc push in
1(2)	0,1,1,1	[0]	Disc insert detection	↑	
1(2)	0,0,1,1	[0]	↓	Eject completion	↙
2(2)	0,0,0,1	[0]		Reload start	
2(2)	0,0,1,1	[0]		↑	↓
2(2)	0,1,1,1	[0]			
2(2)	1,1,1,1	[0]			
3(1)	1,1,1,0	[0]		Load completion	Eject start
3(1)	1,1,1,0	[1]			

Chart 1.1 12cm Disc switch status transition

Route No. (EJECT route No.)	SW1/2/3/4	[Rest SW]	Loading*	Eject	Reload	
-	1,1,1,1	[0]	No Disc	No Disc	Disc push in	
1(2)	0,1,1,1	[0]	Disc insert detection	Eject completion		↙
1(2)	0,0,1,1	[0]	↓	↑	Reload start	
2(2)	0,1,1,1	[0]			↓	↓
2(2)	1,1,1,1	[0]				
3(1)	1,1,1,0	[0]		Load completion		
3(1)	1,1,1,0	[1]				

* Transition in the center loading (Similar to 12cm in the side loading)

Chart 1.2 8cm Disc switch status transition

(2) Error code table of monitor mechanism error

Error code (1 byte)

First byte	[01] CLOSE error [09] OPEN error [0A] SLIDE error
------------	---

Detailed error codes (2 bytes)

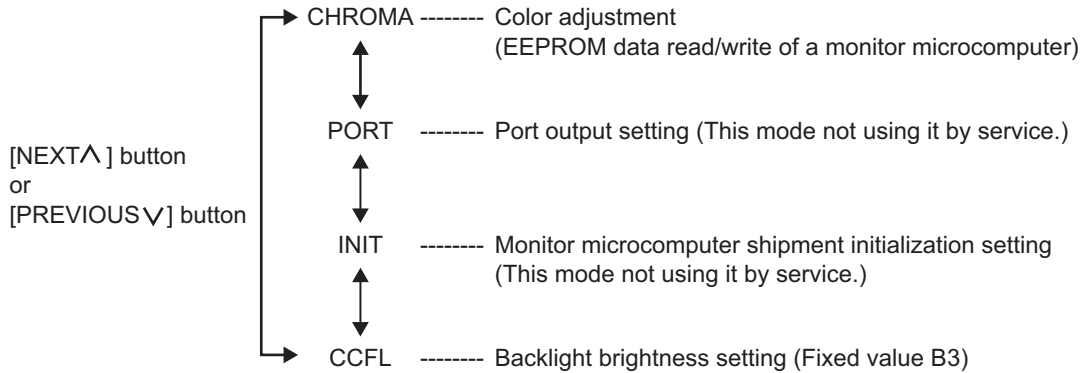
First byte	Higher 4 bits ▪ ▪ ▪ Route No. (Process of error occurrence) Lower 4 bits ▪ ▪ ▪ Error type [1] Time out [2] Pulse nothing [3] Angle change nothing [4] Switch status defectiveness
Second byte	Higher 4 bits ▪ ▪ ▪ Motor status (Motor output status in an error) Bit7 ▪ ▪ ▪ 0=Off/1=On Bit6 ▪ ▪ ▪ 0=Slide/1=Angle Bit5 ▪ ▪ ▪ 0=Minus/1=Plus Bit4 ▪ ▪ ▪ Fixed at 0 Lower 4 bits ▪ ▪ ▪ SW status Bit3 ▪ ▪ ▪ MO_DET Bit2 ▪ ▪ ▪ Bit1 ▪ ▪ ▪ ANGSW Bit0 ▪ ▪ ▪ CLSW

(3) Error code table of changer

Outbreak condition		Details	Error code	Detailed error code
Tray extension error	Tray-in switch time out (Tray-in switch Low,Tray-out switch High)	Tray motor does not work	03	0011
	Tray-out switch time out (Tray-in switch High,Tray-out switch High)	Tray stops on the way	03	0012
	Tray-in switch time out (Tray-in switch Low,Tray-out switch Low)	NG of Tray-in SW or other defect	03	0013
	MAG-in switch Low to high	Magazine removed when tray partly extend	03	0014
Tray retraction error	Tray-in switch time out (Tray-in switch High,Tray-out switch Low)	Tray motor does not work	03	0016
	Tray-out switch time out (Tray-in switch High,Tray-out switch High)	Tray stops on the way	03	0017
	Tray-in switch time out (Tray-in switch Low,Tray-out switch Low)	NG of Tray-in SW or other defect	03	0018
	MAG-in switch Low to high	Magazine removed when tray partly extend	03	0019
Lifter raise error	WAIT position time out	Position motor does not work	02	0021
	WAIT position time out	Position not stable in fine adjust mode	02	0022
	WAIT position time out	Other fault	02	0023
Lifter lower error	WAIT position time out	Position motor does not work	02	0026
	WAIT position time out	Position not stable in fine adjust mode	02	0027
	WAIT position time out	Other fault	02	0028
Chuck error	PLAY position time out	Position motor does not work	02	0031
	PLAY position time out	Position not stable in fine adjust mode	02	0032
	PLAY position time out	Other fault	02	0033
Unchuck error	WAIT position time out	Position motor does not work	02	0036
	WAIT position time out	Position not stable in fine adjust mode	02	0037
	WAIT position time out	Other fault	02	0038
Eject error	EJECT position time out	Position motor does not work	02	0041
	EJECT position time out	Eject position not attained	02	0042
	MAG-in switch time out	Magazine not ejected	02	0043
Initialize error	Mechanism switch time out	Both Tray-in and Tray-out Low	03	0046
	Absolute position time out	Not stable at absolute position	03	0047

4.2.7 Monitor adjustment (For J version)

1. Switch on the main unit and insert a test disc (VT-501 or VT-502).
Play a 3TR(100% color bar) of the test disc and pause it.
2. In a state of procedure 1, set the main unit in a service mode. (See "5.1.3 Service mode setting procedure".)
3. Color bar is displayed to the monitor by pushing [MODE] button after having done select of [MONITOR] of the service menu with the [NEXT^] or [PREVIOUS v] buttons, and the following indication goes in mini-LCD of the main unit.



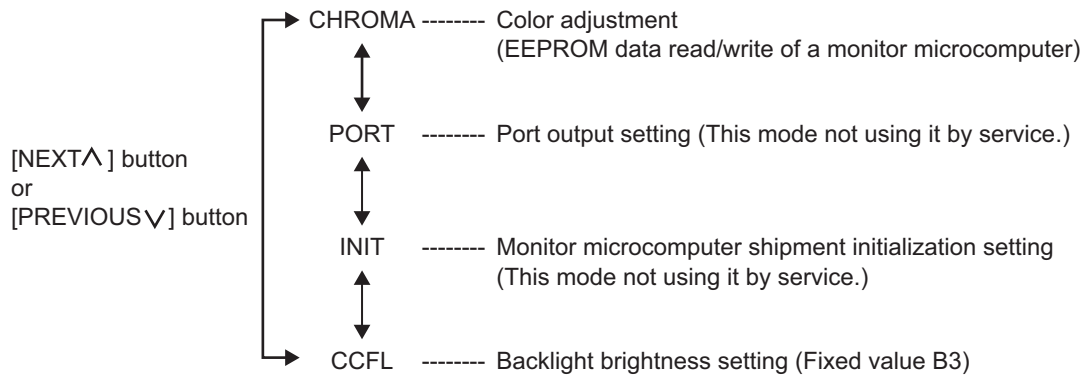
4. Select [CHROMA] and press the [MODE] button.
An address value and data value are displayed on the mini-LCD. (0 **)
Press the center of the monitor to turn off the GUI screen.
5. Change data of each address with the [VOL+]/[VOL -] button while observing the color bar (Data value flashes on and off in change operation.) and press the [MODE] button in order to write in data. (Adjust the fixed value in the value of a following table. Besides it, set it in reference value and make a fine adjustment while observing the monitor.)

No.	Address	Chrominance data	Minimum value	Maximum value	Fixed value	Reference value
1	0	INPUT MODE/SW	00	3F		1C
2	1	PICTURE	00	FF		2F
3	2	COLOR	00	3F		66
4	3	PHASE	00	FF		22
5	4	CONTRAST	00	FF		50
6	5	BRIGHT	00	FF	A5	
7	6	GAMMA 0	00	FF	3A	
8	7	GAMMA 1	00	FF	08	
9	8	OUT LIMIT	00	1F	1F	
10	9	RGB AMPLITUDE	00	FF	7C	
11	A	SUB-BRIGHT R	00	FF		7F
12	B	SUB-BRIGHT B	00	FF		60
13	C	COM AMPLITUDE	00	FF		D2
14	D	COM BLANK LEV	00	1F	11	
15	E	DAC OUT	00	FF		86
16	F	TINT	00	FF		87

- * Cancellation of a test mode
Push the [STANDBY] key on the main unit.

4.2.8 Monitor adjustment (For A/U version)

- Switch on the main unit.
Press [FUNCTION] on the monitor and press [SETUP] next.
Select [DVD MENU] and select [PAL] of the [COLOR SYSTEM].
- Insert a test disc (VT-501 or VT-502).
Play a 3TR(100% color bar) of the test disc and pause it.
- In a state of procedure 2, set the main unit in a service mode. (See "5.1.3 Service mode setting procedure".)
- Color bar is displayed to the monitor by pushing [MODE] button after having done select of [MONITOR] of the service menu with the [NEXT^] or [PREVIOUS v] buttons, and the following indication goes in mini-LCD of the main unit.
Press the center of the monitor to turn off the GUI screen.



- Select [CHROMA] and press the [MODE] button.
An address value and data value are displayed on the mini-LCD. (0 **)
- Change data of each address with the [VOL+]/[VOL -] button while observing the color bar (Data value flashes on and off in change operation.) and press the [MODE] button in order to write in data. (Adjust the fixed value in the value of a following table. Besides it, set it in reference value and make a fine adjustment while observing the monitor.)
- Press the [POWER/ATT] button of the main unit, and switch it off.
- Switch on the main unit again.
Select [NTSC] of the [COLOR SYSTEM].
- Repeat the adjustment mentioned above.
- Press the [POWER/ATT] button of the main unit and this adjustment is complete.

No.	Address	Chrominance data	Minimum value	Maximum value	Fixed value		Reference value	
					PAL	NTSC	PAL	NTSC
1	0	INPUT MODE/SW	00	3F			1E	1C
2	1	PICTURE	00	FF			2F	2F
3	2	COLOR	00	3F			66	66
4	3	PHASE	00	FF			22	22
5	4	CONTRAST	00	FF			50	50
6	5	BRIGHT	00	FF	A5	A5		
7	6	GAMMA 0	00	FF	3A	3A		
8	7	GAMMA 1	00	FF	08	08		
9	8	OUT LIMIT	00	1F	1F	1F		
10	9	RGB AMPLITUDE	00	FF	7C	7C		
11	A	SUB-BRIGHT R	00	FF			7F	7F
12	B	SUB-BRIGHT B	00	FF			60	60
13	C	COM AMPLITUDE	00	FF			D2	D2
14	D	COM BLANK LEV	00	1F	11	11		
15	E	DAC OUT	00	FF			86	86
16	F	TINT	00	FF			87	87

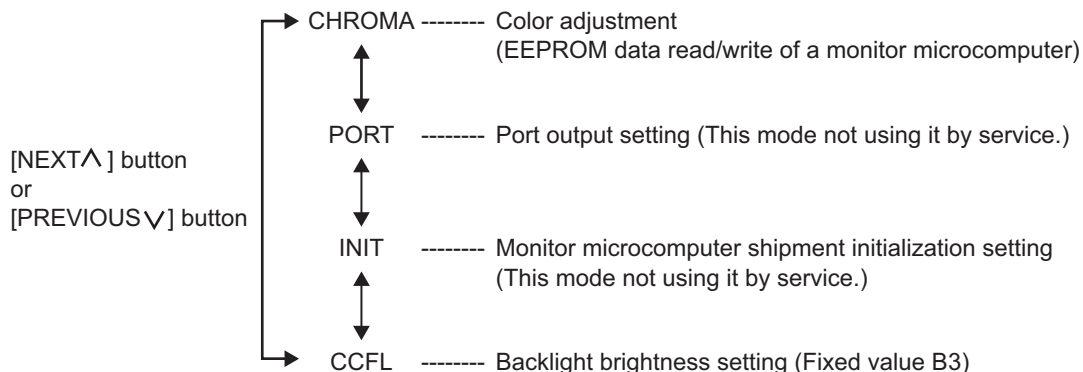
* Cancellation of a test mode
Push the [STANDBY] key on the main unit.

4.2.9 Monitor adjustment (For E version)

[PAL screen adjustment]

1. Switch on the main unit and insert a test disc (VT-501 or VT-502).
Play a 3TR(100% color bar) of the test disc and pause it.
2. In a state of procedure 1, set the main unit in a service mode. (See "5.1.3 Service mode setting procedure".)
3. Color bar is displayed to the monitor by pushing [MODE] button after having done select of [MONITOR] of the service menu with the [NEXT^] or [PREVIOUS v] buttons, and the following indication goes in mini-LCD of the main unit.

Press the center of the monitor to turn off the GUI screen.



4. Select [CHROMA] and press the [MODE] button.
An address value and data value are displayed on the mini-LCD. (0 **)
5. Change data of each address with the [VOL+]/[VOL -] button while observing the color bar (Data value flashes on and off in change operation.) and press the [MODE] button in order to write in data. (Adjust the fixed value in the value of a following table. Besides it, set it in reference value and make a fine adjustment while observing the monitor.)
6. Press the [POWER/ATT] button of the main unit, and switch it off.

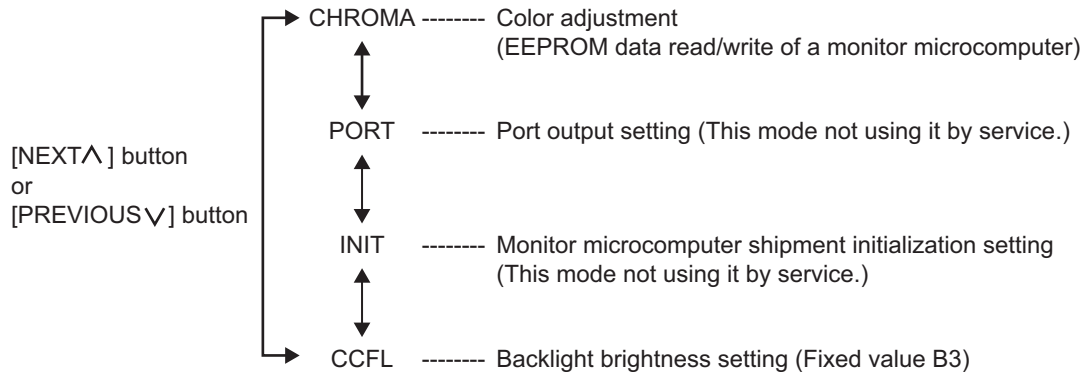
No.	Address	Chrominance data	Minimum value	Maximum value	Fixed value	Reference value
1	0	INPUT MODE/SW	00	3F		1E
2	1	PICTURE	00	FF		2F
3	2	COLOR	00	3F		66
4	3	PHASE	00	FF		22
5	4	CONTRAST	00	FF		50
6	5	BRIGHT	00	FF	A5	
7	6	GAMMA 0	00	FF	3A	
8	7	GAMMA 1	00	FF	08	
9	8	OUT LIMIT	00	1F	1F	
10	9	RGB AMPLITUDE	00	FF	7C	
11	A	SUB-BRIGHT R	00	FF		7F
12	B	SUB-BRIGHT B	00	FF		60
13	C	COM AMPLITUDE	00	FF		D2
14	D	COM BLANK LEV	00	1F	11	
15	E	DAC OUT	00	FF		86
16	F	TINT	00	FF		87

* Cancellation of a test mode

Push the [STANDBY] key on the main unit.

[NTSC screen adjustment]

- Switch on the main unit.
Input a NTSC signal into a AV1 input terminal.
(In case of a DVD player, insert the test disc VT-501 and play the 3TR.)
In the case of other sources, do color confirmation with the image.
- In a state of procedure 1, set the main unit in a service mode. (See "5.1.3 Service mode setting procedure".)
- Color bar is displayed to the monitor by pushing [MODE] button after having done select of [MONITOR] of the service menu with the [NEXT^] or [PREVIOUS v] buttons, and the following indication goes in mini-LCD of the main unit.
Press the center of the monitor to turn off the GUI screen.



- Select [CHROMA] and press the [MODE] button.
An address value and data value are displayed on the mini-LCD. (0 **)
- Change data of each address with the [VOL+]/[VOL -] button while observing the color bar (Data value flashes on and off in change operation.) and press the [MODE] button in order to write in data. (Adjust the fixed value in the value of a following table. Besides it, set it in reference value and make a fine adjustment while observing the monitor.)
- Press the [POWER/ATT] button of the main unit, and switch it off.

No.	Address	Chrominance data	Minimum value	Maximum value	Fixed value	Reference value
1	0	INPUT MODE/SW	00	3F		1C
2	1	PICTURE	00	FF		2F
3	2	COLOR	00	3F		66
4	3	PHASE	00	FF		22
5	4	CONTRAST	00	FF		50
6	5	BRIGHT	00	FF	A5	
7	6	GAMMA 0	00	FF	3A	
8	7	GAMMA 1	00	FF	08	
9	8	OUT LIMIT	00	1F	1F	
10	9	RGB AMPLITUDE	00	FF	7C	
11	A	SUB-BRIGHT R	00	FF		7F
12	B	SUB-BRIGHT B	00	FF		60
13	C	COM AMPLITUDE	00	FF		D2
14	D	COM BLANK LEV	00	1F	11	
15	E	DAC OUT	00	FF		86
16	F	TINT	00	FF		87

- * Cancellation of a test mode
Push the [STANDBY] key on the main unit.

4.2.10 Touch panel manual operation proofreading procedure

Procedure 1 Proofreading

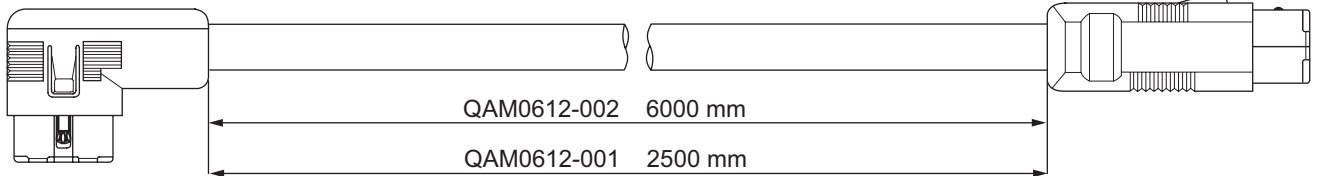
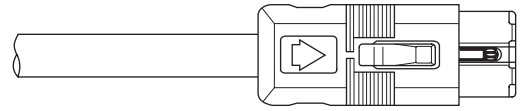
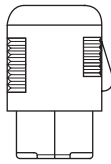
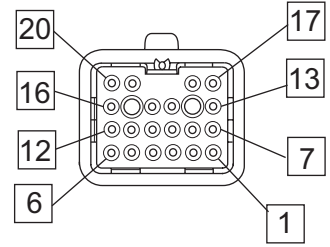
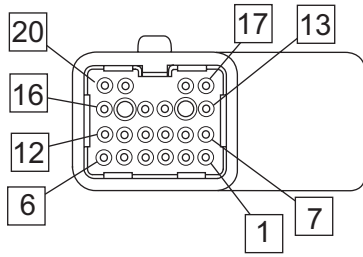
- (1) Set the main unit in a touch panel proofreading mode.
- (2) Push the center of the figure of a cross in a circle of green (81h to 89h) on the panel in turn.
 - a) Push for each 3 points of the upper part of 81h and 82h and 83h with a thumb of the right hand (or, left hand) on the panel from a direction.
 - b) Push 84h with a thumb of the left hand from the left course.
 - c) Push 85h with the middle finger of the right hand or the middle finger of the left hand from center direction.
 - d) Push 86h with a thumb of the right hand from the right course.
 - e) Push for each 3 points of the lower part of 87h and 88h and 89h with a thumb of the right hand (or, left hand) under the panel from a direction.
- (3) When proofreading was completed normally, OK is displayed.
- (4) Repeat since a beginning when NG was displayed.
- (5) After proofreading completion, turn off the power supply and confirm it again.

Procedure 2 Confirmation

- (1) Switch on the main unit and turn the main unit into normal movement.
- (2) Push a screen key of GUI and set the main unit in the mode that "NAME" is displayed in the right bottom.
- (3) Push "NAME" in order to let a screen display a keyboard of British number and push all keys in order to confirm misrecognition.
- (4) When misrecognition occurred, proofread it since a beginning.

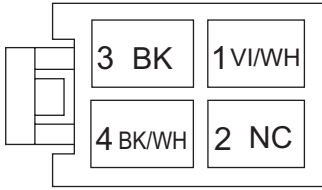
SECTION 5 TROUBLESHOOTING

5.1 AV bus cable between main unit and hideaway unit

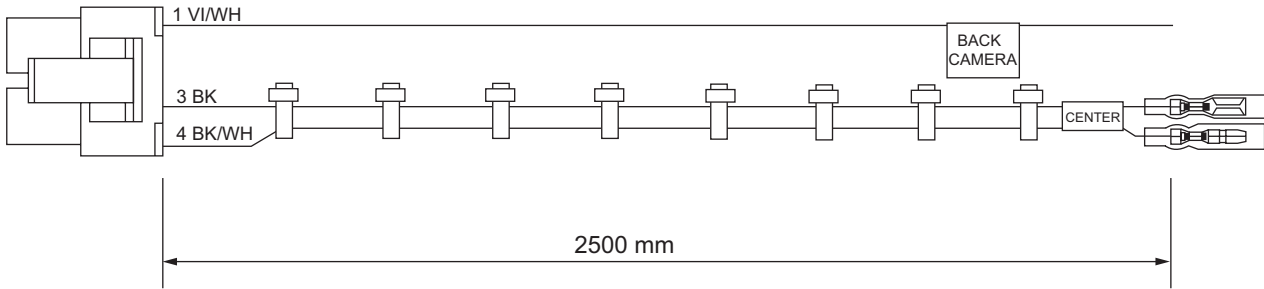


1	RESET	Black	11	NC	Pink
2	P-ON	White	12	HPA-GND	Black(Tube)
3	SDI	Light green	13	SPDIFGND	Black(Tube)
4	SDO	Brown	14	DVDAR	Red
5	GND	Yellow	15	DVDAL	Green
6	HPAL	Blue	16	HPAR	Purple
7	SPDIF	Natural	17	VIDEO-OUT	Natural
8	NC	Orange	18	VIDEO-GND	Black(Tube)
9	DVDAR-GND	Black(Tube)	19	VIDEO-IN	Natural
10	DVDAL-GND	Black(Tube)	20	VIDEO-GND	Black(Tube)

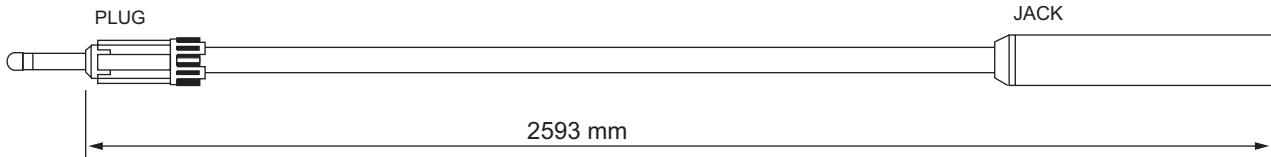
5.2 Center speaker / rear camera cord



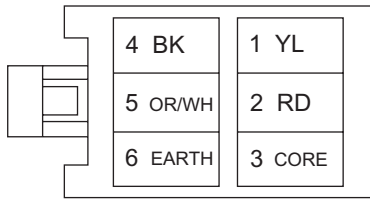
BK	BLACK	WH	WHITE
VI	VIOLET		



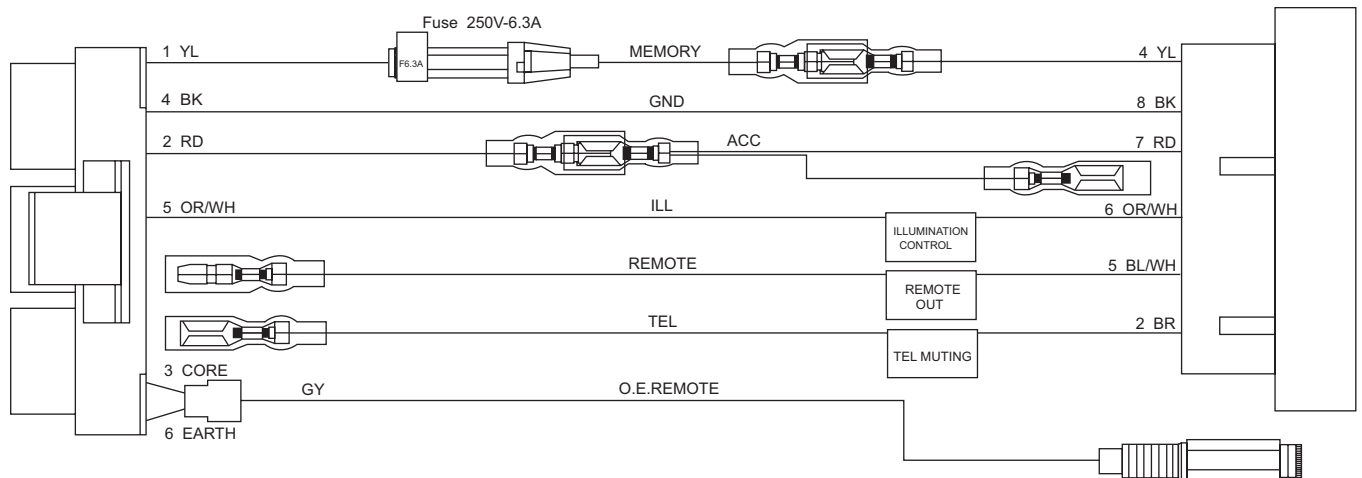
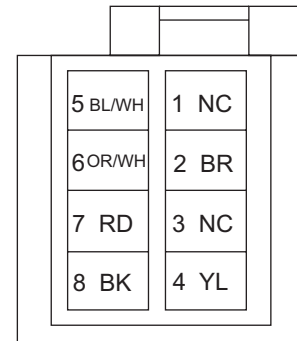
5.3 Extention aerial cord



5.4 Power cord for main unit (for KD-AV7001E,KD-AV7001EU)

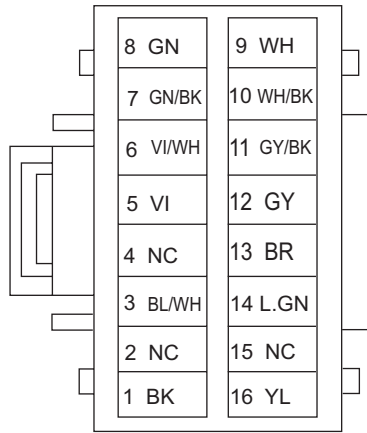


BK	Black	RD	Red
BL	Blue	YL	Yellow
WH	White		

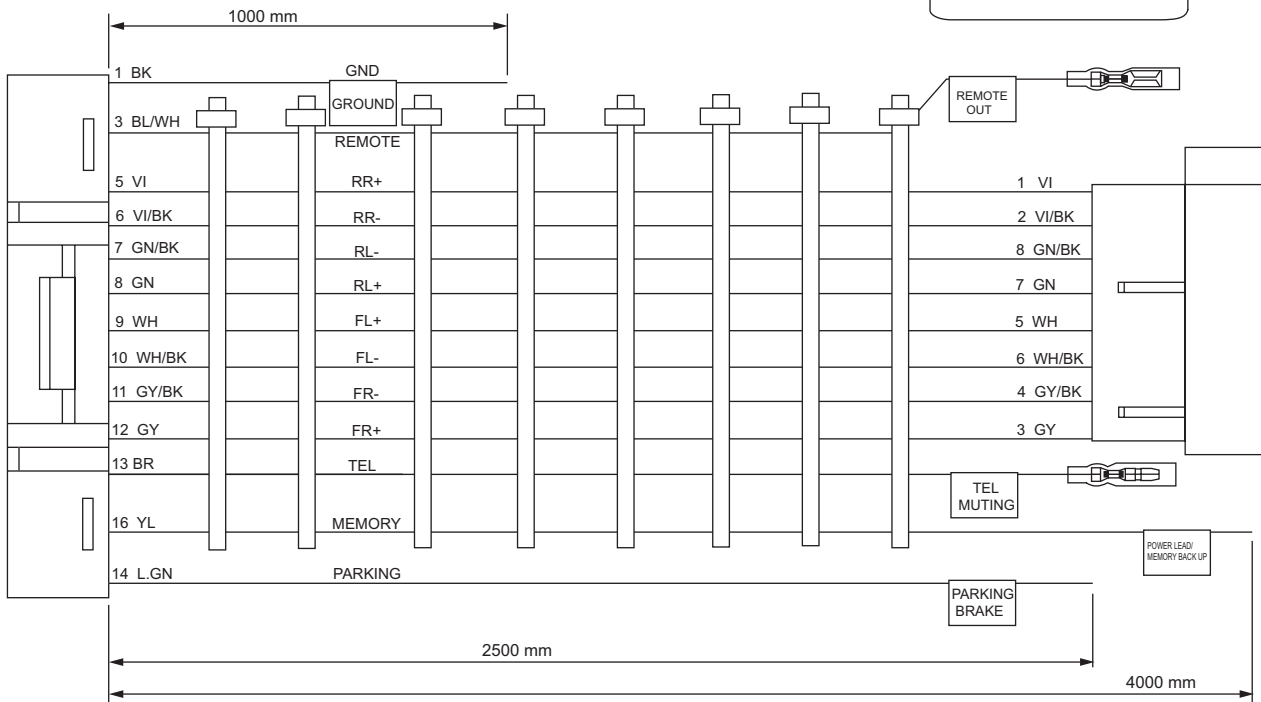
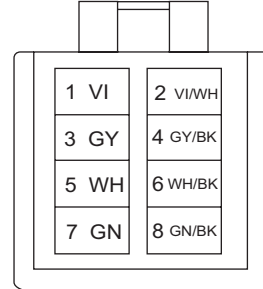


MEMORY	Memory back up battery+
GND	Ground
ACC	ACC line
ILL	Illumination control
REMOTE	Remote out
TEL	Telephone muting
O.E.REMOTE	

5.5 Power cord for Hideaway unit (for KD-AV7001E,KD-AV7001EU)

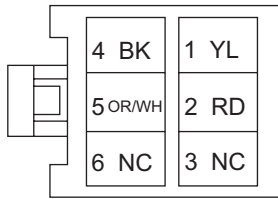


BK	Black	GN	Green
BL	Blue	VI	Violet
WH	White	GY	Gray
L.GN	Light Green	YL	Yellow
		BR	Brown

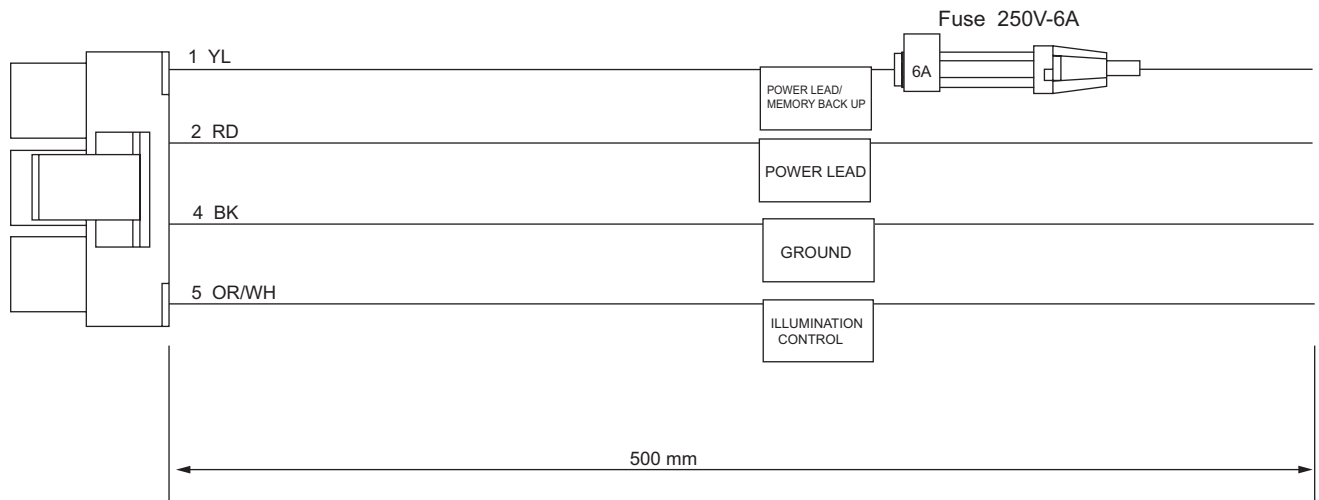


MEMORY	Memory back up battery+
GND	Ground
REMOTE	Remote out
PARKING	Parking brake
TEL	Telephone muting
RR	Rear Right
FR	Front Right
RL	Rear Left
FL	Front Left

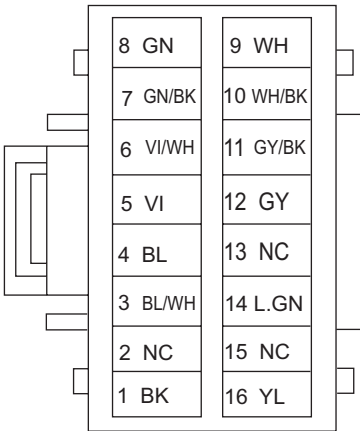
5.6 Power cord for main unit (for KD-AV7000J,KD-AV7005U,KD-AV7005UN,KD-AV7008A)



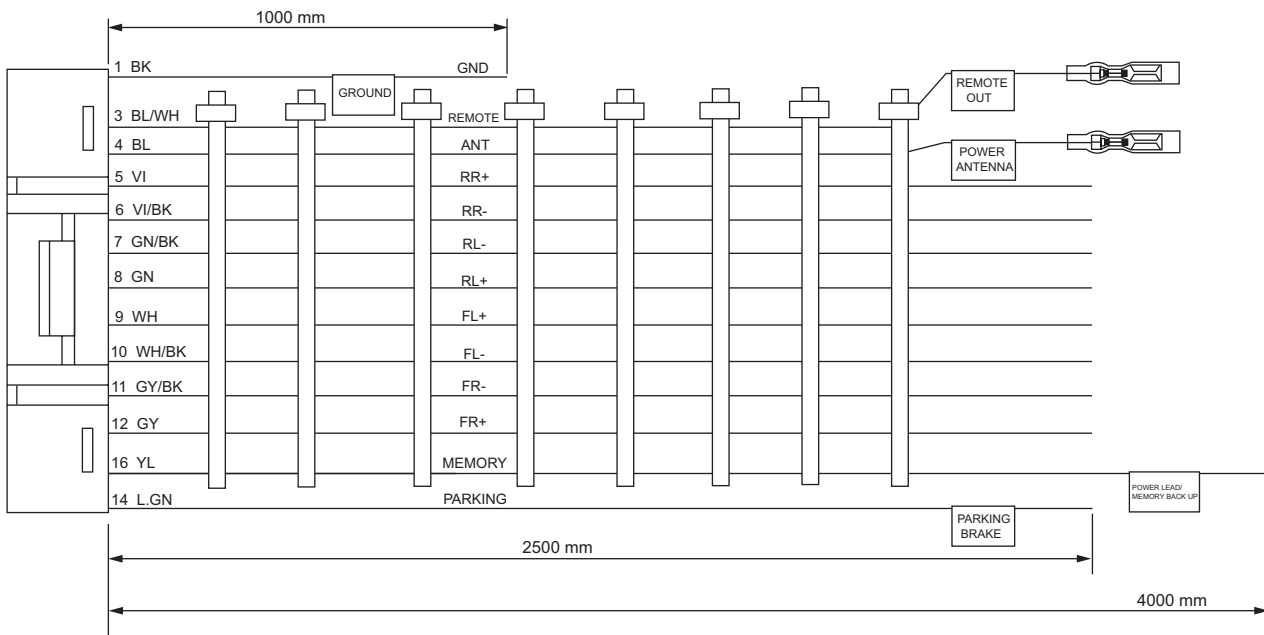
BK	Black	RD	Red
BL	Blue	YL	Yellow
WH	White		



5.7 Power cord for hideway unit (for KD-AV7000J)

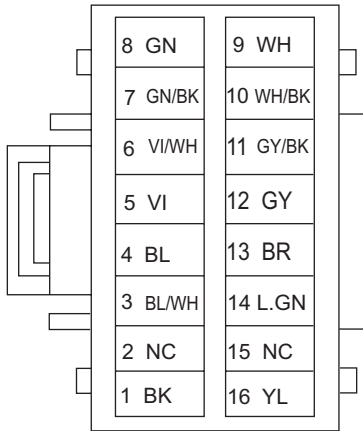


BK	Black	GN	Green
BL	Blue	VI	Violet
WH	White	GY	Gray
L.GN	Light Green	YL	Yellow

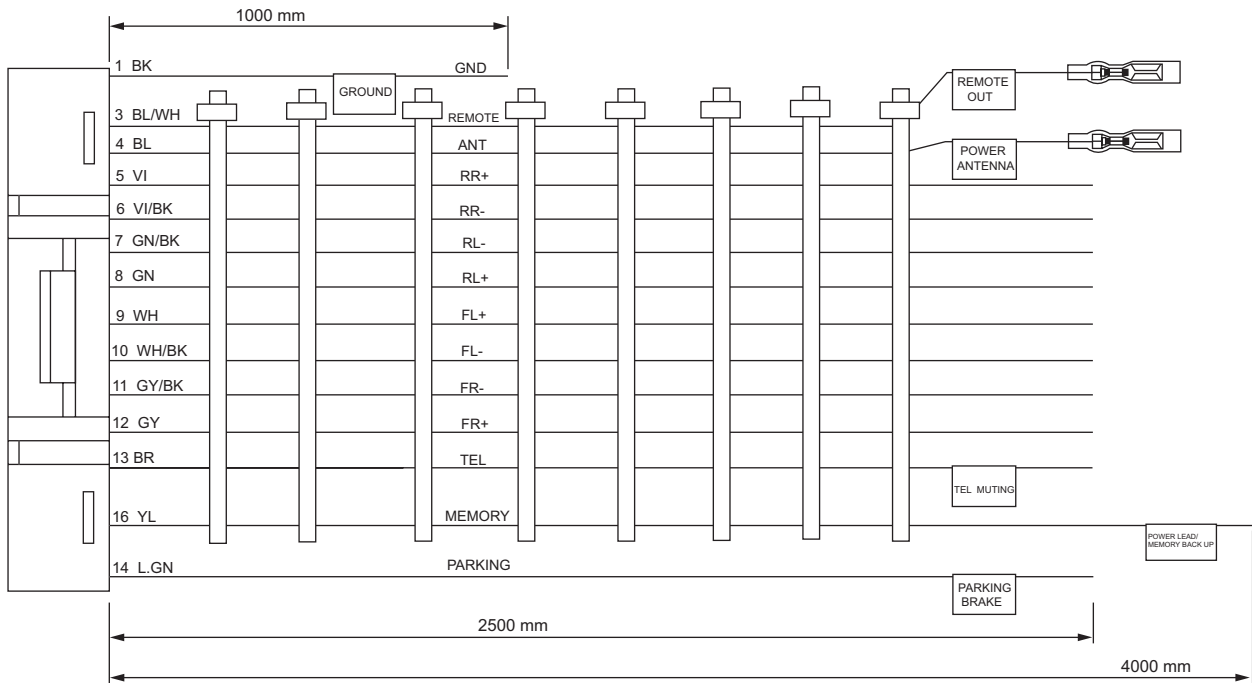


MEMORY	Memory back up battery+
GND	Ground
REMOTE	Remote out
PARKING	Parking brake
ANT	Power antenna
RR	Rear Right
FR	Front Right
RL	Rear Left
FL	Front Left

5.8 Power cord for hideaway unit (for KD-AV7005U,KD-AV7005UN,KD-AV7008A)



BK	Black	GN	Green
BL	Blue	VI	Violet
WH	White	GY	Gray
L.GN	Light Green	YL	Yellow
		BR	Brown



MEMORY	Memory back up battery+
GND	Ground
REMOTE	Remote out
PARKING	Parking brake
TEL	Telephone muting
ANT	Power antenna
RR	Rear Right
FR	Front Right
RL	Rear Left
FL	Front Left

5.9 The initialization method of a top drive unit

- (1) When top drive unit is exchanged.
- (2) When exchange or gear is shifted for gear by repair of top drive unit.
- (3) When Monitor Does Not Open and Close (when it Moves Manually Forcibly)

Please initialize at the above time.

Initialization procedure

T1 button is detached after detaching reset button which pushes reset button, pushing T1 button.

* Even if it initializes by 3., when not being repaired, repair of a top drive unit and exchange are required.



JVC

Victor Company of Japan, Limited
AV & MULTIMEDIA COMPANY CAR ELECTRONICS CATEGORY 10-1,1chome,Ohwatari-machi,Maebashi-city,371-8543,Japan

(No.MA101)

PARTS LIST

[KD-AV7000][KD-AV7001]
 [KD-AV7005][KD-AV7008]
 [KV-MAV7001][KV-MAV7002]

* All printed circuit boards and its assemblies are not available as service parts.

KD-AV7000
Area suffix
J ----- Northern America

KD-AV7001
Area suffix
E ----- Southern Europe
EU ----- Turkey

KD-AV7005
Area suffix
UN -----Asean
U ----- Other Areas

KD-AV7008
Area suffix
A ----- Australia

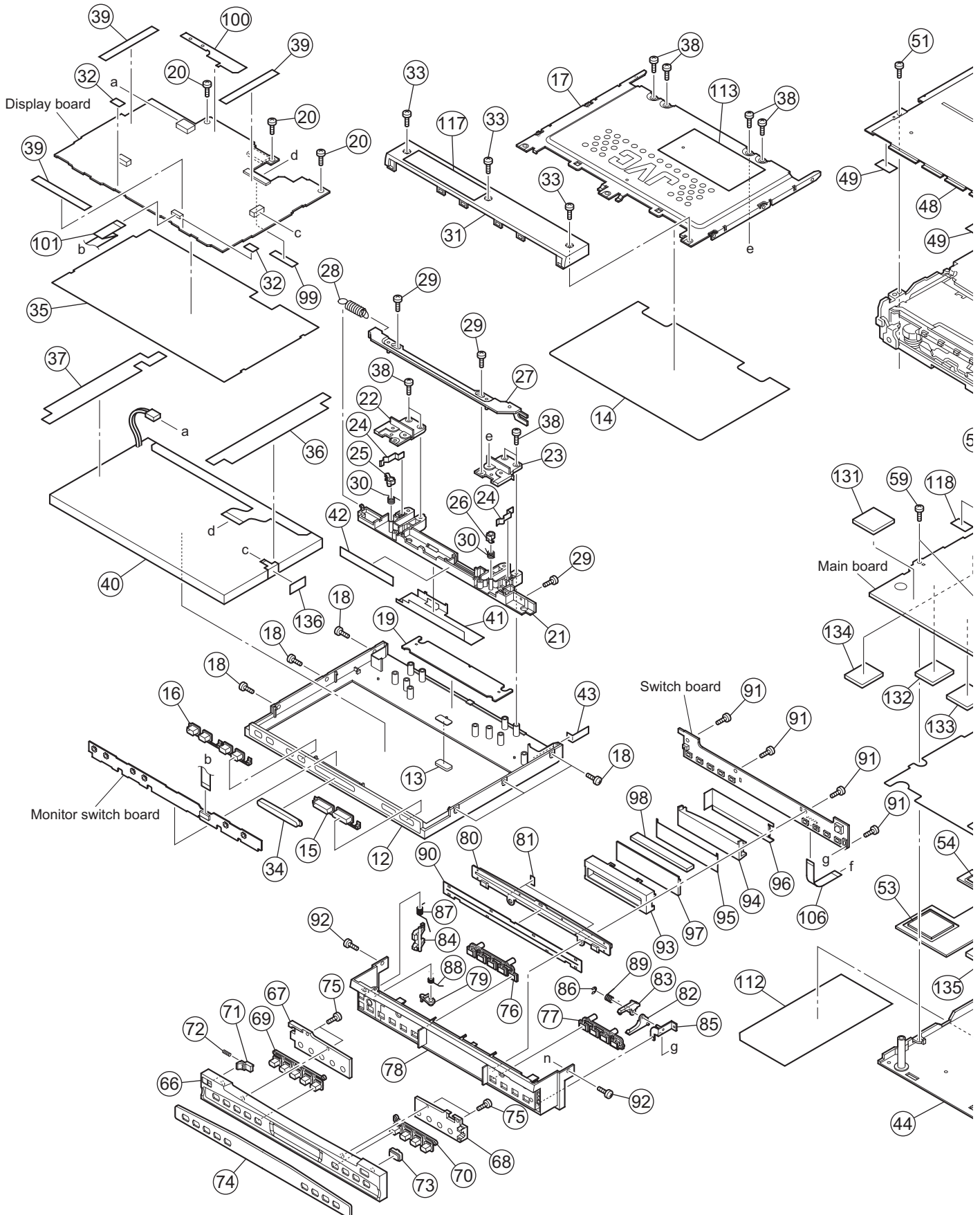
KV-MAV7001,KV-MAV7002
Area suffix
U ----- Other Areas

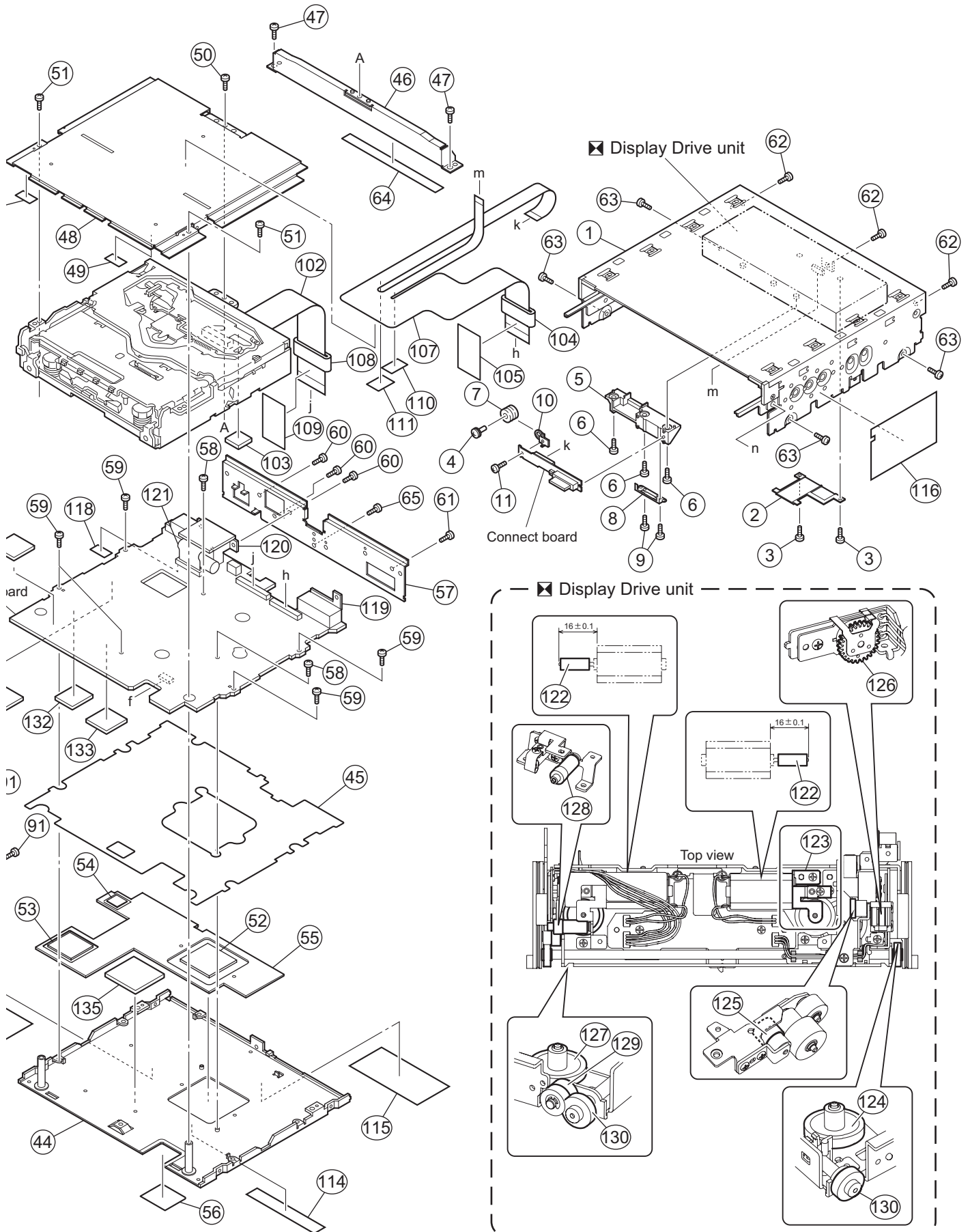
- Contents -

Exploded view of general assembly and parts list (Block No.M1)	3- 2
Hideaway assembly and parts list (Block No.M2)	3- 7
DVD mechanism assembly and parts list (Block No.MJ)	3- 9
Electrical parts list (Block No.01~06)	3-12
Packing materials and accessories parts list (Block No.M3)	3-37
Monitor assembly and parts list (Block No.M4) (KV-MAV7001,KV-MAV7002) ...	3-39
Electrical parts list (Block No.07) (KV-MAV7001,KV-MAV7002)	3-41
Packing materials and accessories parts list (Block No.M5)	
(KV-MAV7001,KV-MAV7002)	3-47

Exploded view of general assembly and parts list

Block No. M 1 M M





General Assembly

Block No. [M][1][M][M]

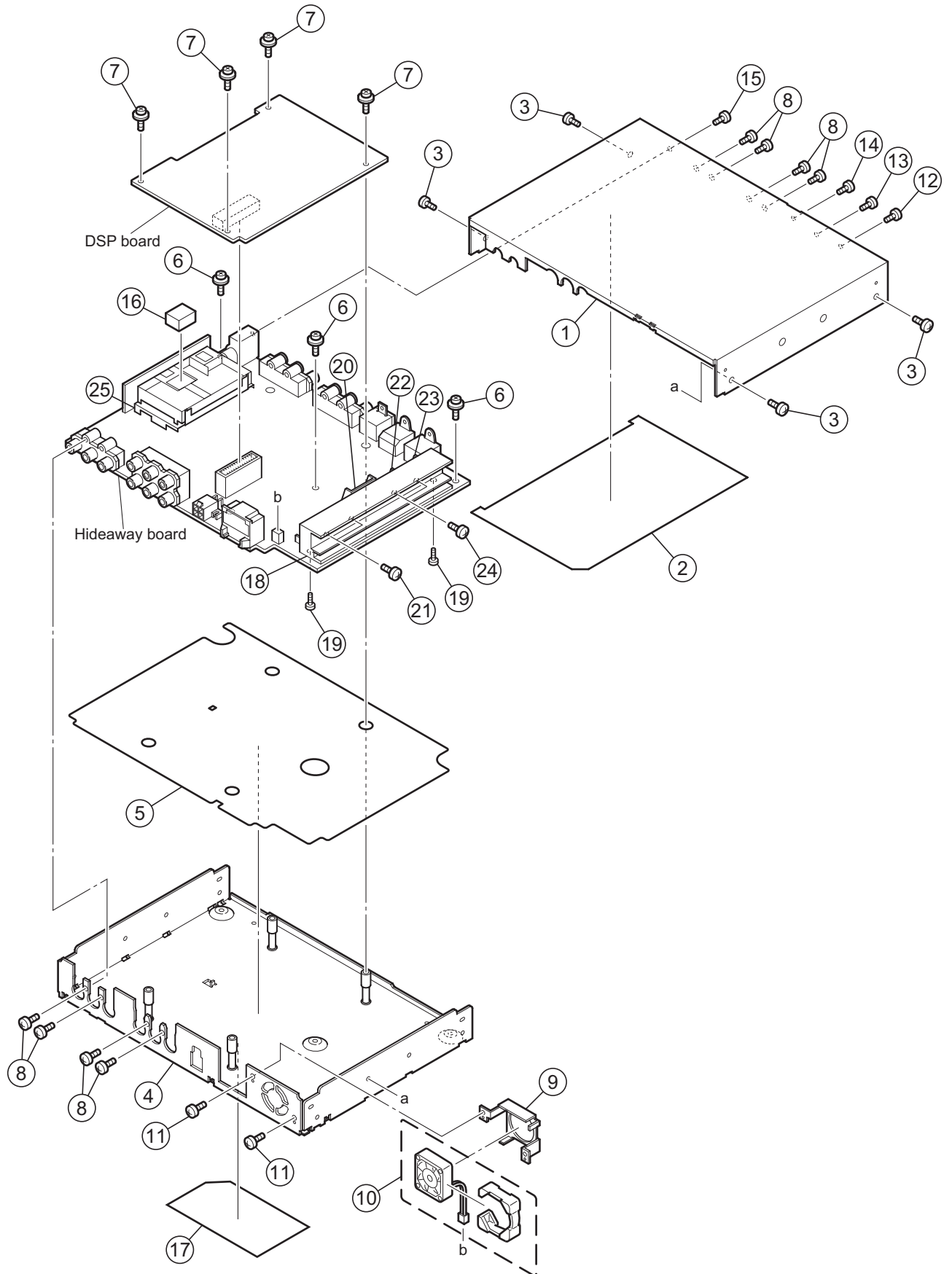
△	Symbol No.	Part No.	Part Name	Description	Local
	1	LV10946-004A	TOP DRIVE UNIT		
	2	LV34862-002A	F.P.C.GUIDE		
	3	QYSPSPT2030ZA	SCREW	M2 x 3mm(x2)	
	4	LV43745-001A	SPECIAL SCREW		
	5	LV34867-001A	PWB BASE		
	6	LV44159-001A	MINI SCREW	(x3)	
	7	LV43747-001A	INSULATOR		
	8	LV43748-002A	CN GUIDE		
	9	QYSSSFT1760ZA	TAP SCREW	M1.7 x 6mm(x2)	
	10	LV43749-001A	INSULATOR BKT		
	11	VKZ4539-055	MINI SCREW		
	12	LV10891-020A	DISPLAY PANEL		AV7000J
	12	LV10891-014A	DISPLAY PANEL		AV7001E,AV7001EU
	12	LV10891-015A	DISPLAY PANEL		AV7005U,AV7005UN
	12	LV10891-016A	DISPLAY PANEL		AV7008A
	13	GE40204-002A	JVC BADGE		AV7005U,AV7005UN
	13	GE40204-001A	JVC BADGE		AV7000J,AV7001E,AV7001EU,AV7008A
	14	LV34872-002A	BLIND SHEET		
	15	LV34873-006A	OPEN BUTTON		AV7005U,AV7005UN
	15	LV34873-005A	OPEN BUTTON		AV7000J,AV7001E,AV7001EU,AV7008A
	16	LV34874-004A	ANGLE BUTTON		AV7005U,AV7005UN
	16	LV34874-003A	ANGLE BUTTON		AV7000J,AV7001E,AV7001EU,AV7008A
	17	LV21682-006A	DISP BACK PANEL		
	18	LV43819-004A	SPECIAL SCREW	(x6)	AV7005U,AV7005UN
	18	LV43819-003A	SPECIAL SCREW	(x6)	AV7000J,AV7001E,AV7001EU,AV7008A
	19	LV43753-003A	REINFORCE BKT		
	20	QYSDSF2008MA	TAP SCREW	M2 x 8mm(x3)	
	21	LV10918-003A	LOCK BASE		
	22	LV34875-004A	LOCK COVER(L)		
	23	LV34876-003A	LOCK COVER(R)		
	24	LV43754-001A	LOCK SPRING	(x2)	
	25	LV43755-002A	STOPPER(L)		
	26	LV43756-002A	STOPPER(R)		
	27	LV34877-002A	SLIDER ASSY		
	28	LV43758-001A	TEN SPRING		
	29	LV43759-002A	SPECIAL SCREW	(x3)	AV7001EU,AV7005UN
	29	LV43759-001A	SPECIAL SCREW	(x3)	AV7000J,AV7001E,AV7005U,AV7008A
	30	LV43760-004A	TOR SPRING	(x2)	
	31	LV34879-002A	DISP REAR COVER		AV7005U,AV7005UN
	31	LV34879-001A	DISP REAR COVER		AV7000J,AV7001E,AV7001EU,AV7008A
	32	LV40849-013A	SPACER(R)	(x2)	
	33	LV43819-004A	SPECIAL SCREW	(x3)	AV7005U,AV7005UN
	33	LV43819-003A	SPECIAL SCREW	(x3)	AV7000J,AV7001E,AV7001EU,AV7008A
	34	LV43761-002A	DISPLAY LENS		AV7005U,AV7005UN
	34	LV43761-001A	DISPLAY LENS		AV7000J,AV7001E,AV7001EU,AV7008A
	35	LV34880-001A	DISP SHEET(1)		
	36	LV34881-001A	DISP SHEET(2)		
	37	LV35303-001A	DISP SHEET(3)		
	38	QYSDSF2008MA	TAP SCREW	M2 x 8mm(x8)	
	39	LV40847-011A	SPACER(H)	(x3)	
	40	QLD0336-001	LCD MODULE		
	41	LV35393-006A	SHIELDING SHEET		
	42	LV44247-001A	SHIELD TIGHT		
	43	LV43973-006A	SHIELD TIGHT		
	44	LV34885-006A	B.CHASSIS ASSY		
	45	LV34886-002A	INSULATOR		
	46	LV34889-001A	MECHA BKT		
	47	QYSDST2604ZA	TAP SCREW	M2.6 x 4mm(x2)	
	48	LV21684-002A	MECHA COVER		
	49	LV44153-002A	SPACER	(x2)	
	50	QYSDST2604ZA	TAP SCREW	M2.6 x 4mm	
	51	QYSDST2606MA	TAP SCREW	M2.6 x 6mm(x2)	
	52	LV44037-001A	COOLING RUBBER		
	53	LV44037-002A	COOLING RUBBER		
	54	LV44037-003A	COOLING RUBBER		
	55	LV35450-001A	HEAT SINK		
	56	LV43792-001A	FPC COVER		
	57	LV34892-004A	REAR BKT		
	58	QYSDSP2004ZA	SCREW	M2 x 4mm(x2)	
	59	QYSDST2604ZA	TAP SCREW	M2.6 x 4mm(x5)	
	60	LV41200-004A	SPECIAL SCREW	(x3)	
	61	LV41200-004A	SPECIAL SCREW		
	62	LV41200-004A	SPECIAL SCREW	(x3)	
	63	LV41200-004A	SPECIAL SCREW	(x4)	

△	Symbol No.	Part No.	Part Name	Description	Local
64		LV40847-012A	SPACER(H)		
65		LV41200-004A	SPECIAL SCREW		
66		LV10893-002A	DETACH PANEL		AV7005U,AV7005UN
66		LV10893-001A	DETACH PANEL		AV7000J,AV7001E,AV7001EU,AV7008A
67		LV34893-001A	BACK PANEL(L)		
68		LV34894-001A	BACK PANEL(R)		
69		LV21686-002A	BUTTON(L)		AV7001E,AV7001EU
69		LV21686-001A	BUTTON(L)		AV7000J,AV7005U,AV7005UN,AV7008A
70		LV21687-001A	BUTTON(R)		
71		LV34895-001A	DETACH BUTTON		
72		LV43772-001A	COM SP		
73		LV34896-001A	REMOTE LENS		
74		LV34897-006A	FINDER		AV7001E,AV7001EU
74		LV34897-008A	FINDER		AV7005U,AV7005UN
74		LV34897-005A	FINDER		AV7000J,AV7008A
75		VKZ4777-009	MINI SCREW	(x4)	AV7001EU,AV7005UN
75		VKZ4777-004	MINI SCREW	(x4)	AV7000J,AV7001E,AV7005U,AV7008A
76		LV21688-001A	BUTTON LWR(L)		
77		LV21689-001A	BUTTON LWR(R)		
78		LV10895-006A	FRONT PANEL		AV7005U,AV7005UN
78		LV10895-004A	FRONT PANEL		AV7000J,AV7001E,AV7001EU,AV7008A
79		LV34898-001A	DETACH LEVER		
80		LV21690-001A	DISC GUIDE		
81		LV40847-014A	SPACER(H)	(x2)	
82		LV34899-001A	LOCK LEVER(1)		
83		LV34900-001A	LOCK LEVER(2)		
84		LV34901-001A	LOCK LEVER(3)		
85		LV34902-002A	L.LEVER BKT ASS		
86		QYREE1500X	E RING	M1.5	
87		LV43769-001A	TOR SP(1)		
88		LV43770-001A	TOR SP(2)		
89		LV43771-002A	TOR SP(3)		
90		LV43776-002A	BLIND		
91		VKZ4777-007	MINI SCREW	(x4)	AV7001EU,AV7005UN
91		VKZ4777-002	MINI SCREW	(x4)	AV7000J,AV7001E,AV7005U,AV7008A
92		LV44159-001A	MINI SCREW	(x2)	
93		LV34905-002A	LCD COVER		
94		LV34906-003A	LCD LENS		
95		LV43774-001A	LCD FILTER		
96		LV43775-003A	LENS SHEET		
97		QLD0335-001	LCD MODULE		
98		QNZ0717-001	RUBBER CONNE		
99		LV44223-001A	INSULATOR		
100		LV35750-003A	SHIELD SHEET		
101		QUQ105-0805AB	FFC WIRE	8pin 5cm	
102		QUQ105-5011AB	FFC WIRE	50pin 11cm	
103		VYSH101-009	SPACER		
104		QQR1641-001	FERRITE CORE		
105		LV40847-015A	SPACER(H)		
106		QUQ105-1304AB	FFC WIRE	13pin 4cm	
107		QAL0583-001	FPC		
108		QQR1641-001	FERRITE CORE		
109		LV40847-015A	SPACER(H)		
110		LV44218-002A	SUPPORT SHEET		
111		LV44218-003A	SUPPORT SHEET		
112		LV35137-001A	NAME PLATE		AV7000J
112		LV35138-002A	NAME PLATE		AV7001E,AV7001EU
112		LV35139-001A	NAME PLATE		AV7005U,AV7005UN
112		LV35140-001A	NAME PLATE		AV7008A
113		LV35683-001A	NAME PLATE		AV7000J
113		LV35684-001A	NAME PLATE		AV7001E,AV7001EU
113		LV35685-001A	NAME PLATE		AV7005U,AV7005UN
113		LV35686-001A	NAME PLATE		AV7008A
114		LV41843-002A	LASER CAUTION		AV7001E,AV7001EU
115		LV35183-001A	LABEL(DVD)		AV7000J
115		LV35183-006A	LABEL(DVD)		AV7001E,AV7001EU
115		LV35183-003A	LABEL(DVD)		AV7005U,AV7005UN
115		LV35183-004A	LABEL(DVD)		AV7008A
116		LV41843-002A	LASER CAUTION		AV7001E,AV7001EU,AV7005U,AV7005UN, AV7008A
117		LV44164-002A	CAUTION LABEL		AV7005U,AV7005UN
117		LV44164-001A	CAUTION LABEL		AV7000J,AV7001E,AV7001EU,AV7008A
118		LV40847-002A	SPACER		
119		LV34888-001A	CONNECTOR COVER		
120		LV34887-001A	PCB BKT		
121		QUQ110-2003AF	FFC WIRE	20pin 3cm	
122		LV43730-003A	WORM GEAR	(x2)	
123		LV34836-002A	MOTOR BKT(A)		

Symbol No.	Part No.	Part Name	Description	Local
124	LV34839-001A	THIRD WORM		
125	LV34842-002A	SECOND WHEEL		
126	LV34847-004A	R.L.S.GEAR		
127	LV34851-004A	DOUBLE WORM		
128	LV34852-005A	THIRD GEAR		
129	LV34853-003A	FORTH GEAR		
130	LV34854-002A	DRIVE GEAR	(x2)	
131	LV44227-001A	WAVE ABSORBER		AV7000J
132	LV44227-002A	WAVE ABSORBER		AV7000J
133	LV44227-003A	WAVE ABSORBER		AV7000J
134	LV44227-004A	WAVE ABSORBER		AV7000J
135	LV44037-001A	COOLING RUBBER		AV7001E,AV7001EU,AV7005U,AV7005UN, AV7008A
136	LV40847-005A	SPECER(H)		

Hideaway assembly and parts list

Block No. M 2 M M



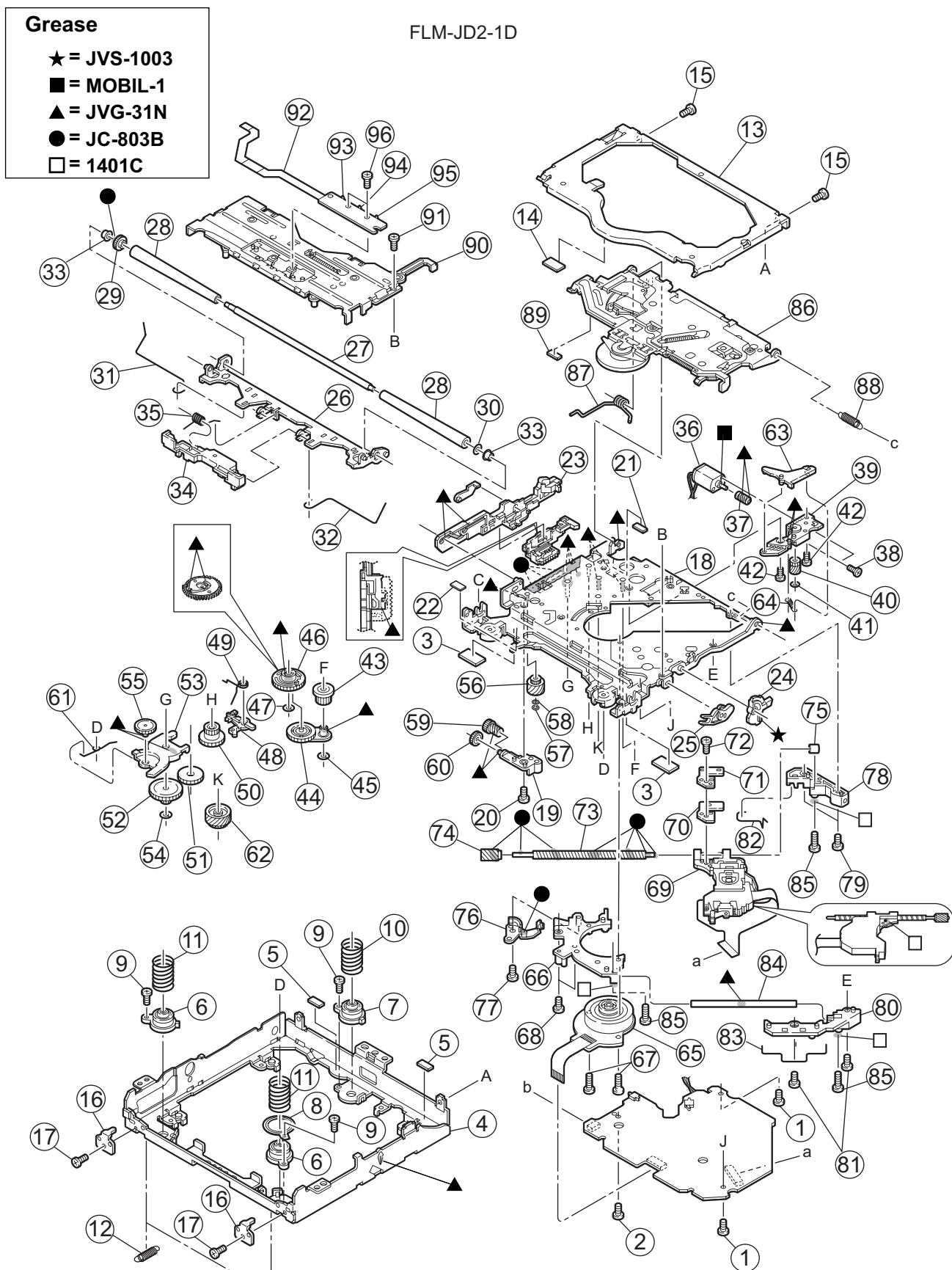
Hideaway

Block No. [M][2][M][M]

△	Symbol No.	Part No.	Part Name	Description	Local
	1	LV10897-001A	TOP CHASSIS		AV7000J
	1	LV10897-002A	TOP CHASSIS		AV7001E,AV7001EU
	1	LV10897-003A	TOP CHASSIS		AV7005U,AV7005UN
	1	LV10897-004A	TOP CHASSIS		AV7008A
	2	LV35421-002A	SHIELD		
	3	QYSDST2606MA	TAP SCREW	M2.6 x 6mm(x4)	
	4	LV34933-002A	B.CHASSIS ASSY		
	5	LV34909-001A	INSURATING SHEE		
	6	LV41200-004A	SPECIAL SCREW	(x3)	
	7	LV43997-001A	SPECIAL SCREW	(x4)	
	8	QYSDSF3008MA	TAP SCREW	M3 x 8mm(x8)	
	9	LV42629-002A	FAN BRACKET		
	10	QAR0294-001	FAN MOTOR		
	11	QYSDST2606MA	TAP SCREW	M2.6 x 6mm(x2)	
	12	QYSDST2606MA	TAP SCREW	M2.6 x 6mm	
	13	QYSDST3006MA	TAP SCREW	M3 x 6mm	
	14	QYSDST2606MA	TAP SCREW	M2.6 x 6mm	
	15	QYSDST2606MA	TAP SCREW	M2.6 x 6mm	
	16	LV43973-003A	SHIELD TIGHT		
	17	LV35142-001A	LABEL		AV7000J
	17	LV35143-001A	LABEL		AV7001E,AV7001EU
	17	LV35144-001A	LABEL		AV7005U,AV7005UN
	17	LV35145-001A	LABEL		AV7008A
	18	LV34910-001A	HEAT SINK		
	19	QYSDSG2606MA	TAP SCREW	M2.6 x 6mm(x2)	
	20	LV43779-001A	IC BKT		
	21	QYSPSPH2620ZA	SCREW	M2.6 x 20mm(x2)	
	22	LV43780-001A	IC BKT		
	23	LV43782-001A	IC BKT		
	24	QYSPSPH2620ZA	SCREW	M2.6 x 20mm(x2)	
	25	LV34911-001A	TUNER BASE		

DVD mechanism assembly and parts list

Block No. M J M M



The parts without symbol number are not service.

DVD mechanism

Block No. [M][J][M][M]

△	Symbol No.	Part No.	Part Name	Description	Local
	1	VKZ4539-026	MINI SCREW	(x2)	
	2	QYSPSFT2040Z	TAP SCREW	M2 x 4mm	
	3	LV43481-001A	COOLING RUBBER	(x2)	
	4	LV10674-002A	CHASSIS FRAME		
	5	LV30225-0J6A	SPACER	(x2)	
	6	LV33684-001A	DAMPER(F)	(x2)	
	7	LV33685-001A	DAMPER(R)		
	8	LV34418-001A	DAMPER RING		
	9	QYSDST2005Z	TAP SCREW	M2 x 5mm(x3)	
	10	LV43039-001A	DAMPER SP.(R)		
	11	LV43040-001A	DAMPER SP.(F)	(x2)	
	12	LV43041-001A	FLOATING SPRING	(x2)	
	13	LV10675-001A	TOP COVER		
	14	LV30225-0J5A	SPACER		
	15	VKZ4539-026	MINI SCREW	(x2)	
	16	LV33669-001A	STOPPER	(x2)	
	17	VKZ4539-026	MINI SCREW	(x2)	
	18	LV21297-002A	CHAS. BASE ASSY		
	19	LV33608-001A	GEAR HOLDER		
	20	VKZ4539-026	MINI SCREW		
	21	LV43561-001A	ABSORBER		
	22	LV30225-0J5A	SPACER		
	23	LV33683-003A	SLIDE CAM ASSY		
	24	LV33610-001A	FLOATING ARM		
	25	LV33611-001A	CONNECT ARM		
	26	LV33678-003A	LOADING A. ASSY		
	27	LV43049-001A	LOADING SHAFT		
	28	LV43052-003A	ROLLER	(x2)	
	29	LV33612-001A	LOADING GEAR		
	30	QYWFM124013	WASHER	4mm/1.2mm x 0.13mm	
	31	LV43053-002A	ROD(L)		
	32	LV43054-003A	ROD(R)		
	33	LV43001-001A	COLLAR	(x2)	
	34	LV21285-001A	PROTECTOR		
	35	LV43055-001A	PROTECTOR SP.		
	36	QAR0144-003	MOTOR		
	37	LV43002-002A	WORM GEAR		
	38	QYSPSPT2025M	SCREW	M2 x 2.5mm(x2)	
	39	LV33679-001A	MOTOR H. ASSY		
	40	LV33614-002A	WORM WHEEL		
	41	QYWDL1230250	SLIT WASHER	3mm/1.2mm x 0.25mm	
	42	VKZ4539-026	MINI SCREW	(x2)	
	43	LV33615-001A	GEAR 2		
	44	LV43057-003A	IDLER ARM ASSY		
	45	QYWDL1635252	SLIT WASHER	3.5mm/1.6mm x 0.25mm	
	46	LV21286-001A	CONTROL CAM		
	47	QYWDL1230250	SLIT WASHER	3mm/1.2mm x 0.25mm	
	48	LV33616-001A	LOAD.LOCK LEVER		
	49	LV43060-001A	CAM SPRING		
	50	LV43005-001A	GEAR 4		
	51	LV43006-001A	GEAR 5		
	52	LV33617-001A	GEAR 6		
	53	LV33618-002A	LOADING G. ARM		
	54	QYWDL1635252	SLIT WASHER	3.5mm/1.6mm x 0.25mm	
	55	LV43007-001A	GEAR 7		
	56	LV33619-002A	GEAR 8		
	57	LV42132-001A	E RING		
	58	QYWFM215013	WASHER	5mm/2.1mm x 0.13mm	
	59	LV33620-001A	GEAR 9		
	60	LV43008-001A	GEAR10		
	61	LV43061-001A	LOAD SPRING		
	62	LV33621-001A	FEED GEAR		
	63	LV33622-001A	TRIGGER ARM		
	64	LV43062-001A	FEED TRI.SPRING		
	65	QAR0240-001	SPINDLE MOTOR		
	66	LV21287-002A	SPINDLE BASE		
	67	QYSPSTT2065M	TAP SCREW	M2 x 6.5mm(x2)	
	68	VKZ4539-026	MINI SCREW	(x2)	
	69	QAL0427-002	DVD PICK UP		
	70	LV33623-002A	RACK PLATE		
	71	LV43009-001A	RACK SPRING		
	72	QYSPSPT1740N	SCREW	M1.7 x 4mm	
	73	LV43037-001A	LEAD SCREW		
	74	LV43010-001A	L.S.GEAR		

△ Symbol No.	Part No.	Part Name	Description	Local
75	LV43063-001A	L.S.COLLAR		
76	LV43011-001A	THRUST SPRING		
77	QYSPSFT2040Z	TAP SCREW	M2 x 4mm	
78	LV33624-001A	HOLDER(M)		
79	VKZ4539-026	MINI SCREW	(x2)	
80	LV21288-001A	HOLDER(S)		
81	VKZ4539-026	MINI SCREW	(x2)	
82	LV43064-001A	ROD(M)		
83	LV43065-001A	ROD(S)		
84	LV43066-001A	SUB SHAFT		
85	VKZ4730-001	SPECIAL SCREW	(x3)	
86	LV21298-006A	CLAMPER UNIT		
87	LV43070-001A	CLAMPER SPRING		
88	LV43355-001A	CLAMPER2 SPRING		
89	LV30225-0J6A	SPACER		
90	LV21299-006A	FRONT UNIT		
91	VKZ4539-026	MINI SCREW		
92	LVB30012-001A	SW FPC		
93	NSW0187-001	SWITCH	S1	
94	NSW0187-001	SWITCH	S2	
95	NSW0187-001	SWITCH	S3	
96	VKZ4539-025	MINI SCREW	(x2)	

Electrical parts list

Main board

Block No. [0][1]				
△ Symbol No.	Part No.	Part Name	Description	Local
IC31	MN101C49KDG	IC		
IC38	BD4833FVE-W	IC		
IC39	BR24L16F-W-X	IC		
IC41	SN74HCT32APW-X	IC		
IC42	SN74AHC1G08DC-X	IC		
IC51	R1154H050B-FB-X	IC		
IC52	BA00ASFP-X	IC		
IC54	BA00ASFP-X	IC		
IC81	MB3785APFV	IC		
IC93	LM1117MP-ADJ-X	IC		
IC95	LM1117MP1.8-X	IC		
△ IC101	NDV8601VWA-BE	IC		
IC121	K4S643232H-UC60	IC		
IC121	or K4S643232H-TC60	IC		
IC121	or HY57643220CT7	IC		
IC131	MR27T1602F2B2NX	IC(MICRO C ROM)		AV7000J
IC131	MR27T1602F1SUNX	IC(MICRO C ROM)		AV7001E, AV7001EU
IC131	MR27T1602F1TBNX	IC(MICRO C ROM)		AV7005U, AV7005UN
IC131	MR27T1602F1TCNX	IC(MICRO C ROM)		AV7008A
IC133	SN74LVC373APW-X	IC(DIGITAL)		
IC134	SN74LVC373APW-X	IC(DIGITAL)		
IC141	SN74HCT32APW-X	IC		
IC142	SN74AHC1G125K-X	IC(DIGITAL)		
IC143	SN74LVC32APW-X	IC		
IC144	BR93L66F-W-X	IC		
IC151	AK4385VT-X	IC		
IC153	MM1510XN-X	IC		
IC161	NJM4565V-X	IC		
IC191	MM1510XN-X	IC		
IC201	HD64413ASFI	IC(DIGITAL)		
IC202	K4S641632H-UC75	IC		
IC203	SN74AHC1G04DC-X	IC		
IC204	SN74AHC1G04DC-X	IC		
IC221	SN74AHC1G04DC-X	IC		
IC223	LMV7219M5-X	IC		
IC224	SN74LV4053APW-X	IC		
IC226	SN74LV4053APW-X	IC		
IC227	SN74LV123APW-X	IC		
IC228	SN74AHC1G08DC-X	IC		
IC229	NJU7109F3-X	IC		
IC231	SN74LV123APW-X	IC		
IC232	NJM2257M-X	IC		
IC233	BA7666FS-X	IC		
IC234	MM1115XF-XE	IC		
IC235	MM1228XF-X	IC		
IC236	MM1228XF-X	IC		
IC241	SN74HCT32APW-X	IC		
IC242	SN74HCT32APW-X	IC		
IC243	SN74LV4053APW-X	IC		
IC251	HD6417750RF200D	IC(MCU)		
IC252	EDS1216AATA-75	IC(DIGITAL)		
IC252	or GLT51280L16-7TC	IC(DIGITAL)		
IC252	or K4S281632F-UC75	IC(DIGITAL)		
IC253	EDS1216AATA-75	IC(DIGITAL)		
IC253	or GLT51280L16-7TC	IC(DIGITAL)		
IC253	or K4S281632F-UC75	IC(DIGITAL)		
IC254	MBPL65LM90TN	IC		
IC254	MBPL65LM90TN3A	IC (PROGRAMED)		
IC255	MBPL65LM90TN	IC		
IC255	MBPL65LM90TN3B	IC (PROGRAMED)		
IC256	MBPL65LM90TN	IC		
IC256	MBPL65LM90TN3C	IC (PROGRAMED)		
IC257	MBPL65LM90TN	IC		
IC257	MBPL65LM90TN3D	IC (PROGRAMED)		
IC258	SN74LVC1G19K-X	IC (FLASH)		
Q111	UN2211-X	TRANSISTOR		
Q112	UN2213-X	DIGI TRANSISTOR		
Q121	2SD601A/R/-X	TRANSISTOR		
Q131	2SD601A/R/-X	TRANSISTOR		

△ Symbol No.	Part No.	Part Name	Description	Local
Q301	UN2211-X	TRANSISTOR		
Q372	UN2211-X	TRANSISTOR		
Q511	UN2211-X	TRANSISTOR		
Q521	RSQ035P03-W	MOS FET		
Q522	UN2212-X	DIGI TRANSISTOR		
Q531	RSQ035P03-W	MOS FET		
Q532	UN2212-X	DIGI TRANSISTOR		
Q601	UN2111-X	TRANSISTOR		
Q602	UN2111-X	TRANSISTOR		
Q701	2SB709A/R/-X	TRANSISTOR		
Q702	UN2211-X	TRANSISTOR		
Q801	UN2211-X	TRANSISTOR		
Q901	RSQ035P03-W	MOS FET		
Q902	RSQ035P03-W	MOS FET		
Q903	UN2211-X	TRANSISTOR		
Q921	RSQ035P03-W	MOS FET		
Q941	RSQ035P03-W	MOS FET		
Q961	RSQ035P03-W	MOS FET		
Q1351	2SB1424/QR/-W	TRANSISTOR		
Q1352	2SC2412K/RS/-X	TRANSISTOR		
Q1611	2SD1781K/QR/-X	TRANSISTOR		
Q1612	2SD1781K/QR/-X	TRANSISTOR		
Q1613	UN2111-X	TRANSISTOR		
D1	1N5404-TU-15	DIODE		
D101	UDZS6.2B-X	Z DIODE		AV7001E, AV7001EU
D111	MA8075/M/-X	Z DIODE		
D112	MA8180/M/-X	Z DIODE		
D381	MA111-X	SI DIODE		
D501	RB521S-30-X	SB DIODE		
D601	MA8110/L/-X	Z DIODE		
D602	MA111-X	SI DIODE		
D603	MA152WA-X	DIODE		
D901	RB060L-40-X	SB DIODE		
D902	MA111-X	SI DIODE		
D903	MA111-X	SI DIODE		
D904	1SR154-400-X	DIODE		
D921	RB060L-40-X	SB DIODE		
D941	RB060L-40-X	SB DIODE		
D961	RB060L-40-X	SB DIODE		
D1611	MA152WA-X	DIODE		
D1612	MA111-X	SI DIODE		
C101	QEZ0625-338	E CAPACITOR	3300uF	
C102	NDC31HJ-101X	C CAPACITOR	100pF 50V J	
C103	NDC31HJ-101X	C CAPACITOR	100pF 50V J	
C104	NDC31HJ-101X	C CAPACITOR	100pF 50V J	
C105	NCB31HK-471X	C CAPACITOR	470pF 50V K	AV7001E, AV7001EU
C131	NBE41CM-226X	TA E CAPACITOR	22uF 16V M	
C301	NCB31CK-104X	C CAPACITOR	0.1uF 16V K	
C302	NCB31CK-104X	C CAPACITOR	0.1uF 16V K	
C303	NDC31HJ-3R0X	C CAPACITOR	3pF 50V J	
C304	NDC31HJ-3R0X	C CAPACITOR	3pF 50V J	
C305	NDC31HJ-220X	C CAPACITOR	22pF 50V J	
C306	NDC31HJ-220X	C CAPACITOR	22pF 50V J	
C307	NDC31HJ-101X	C CAPACITOR	100pF 50V J	
C308	NDC31HJ-101X	C CAPACITOR	100pF 50V J	
C309	NCB31CK-104X	C CAPACITOR	0.1uF 16V K	
C310	NCB31CK-104X	C CAPACITOR	0.1uF 16V K	
C311	NCB31CK-104X	C CAPACITOR	0.1uF 16V K	
C312	NDC31HJ-101X	C CAPACITOR	100pF 50V J	
C313	NCB31CK-104X	C CAPACITOR	0.1uF 16V K	
C314	NCB31CK-104X	C CAPACITOR	0.1uF 16V K	
C315	NCB31CK-104X	C CAPACITOR	0.1uF 16V K	
C316	NCB31CK-104X	C CAPACITOR	0.1uF 16V K	
C317	NCB31HK-102X	C CAPACITOR	1000pF 50V K	
C318	NCB31CK-104X	C CAPACITOR	0.1uF 16V K	
C319	NCB31CK-104X	C CAPACITOR	0.1uF 16V K	
C320	NEHN1CM-477X	E CAPACITOR	470uF 16V M	
C321	NCB31CK-104X	C CAPACITOR	0.1uF 16V K	
C322	NBE51CM-476X	TA E CAPACITOR	47uF 16V M	
C323	NCB31CK-104X	C CAPACITOR	0.1uF 16V K	
C324	NEHN1CM-477X	E CAPACITOR	470uF 16V M	
C381	NBE51CM-476X	TA E CAPACITOR	47uF 16V M	

△ Symbol No.	Part No.	Part Name	Description	Local	△ Symbol No.	Part No.	Part Name	Description	Local
C382	NCB31CK-104X	C CAPACITOR	0.1uF 16V K		C931	NCB31HK-103X	C CAPACITOR	0.01uF 50V K	
C391	NCB31CK-104X	C CAPACITOR	0.1uF 16V K		C932	NBE41CM-226X	TA E CAPACITOR	22uF 16V M	
C401	NCB31CK-104X	C CAPACITOR	0.1uF 16V K		C933	NCB31CK-104X	C CAPACITOR	0.1uF 16V K	
C402	NBE41CM-226X	TA E CAPACITOR	22uF 16V M		C934	NBE20JM-106X	TA E CAPACITOR	10uF 6.3V M	
C411	NCB31CK-104X	C CAPACITOR	0.1uF 16V K		C936	NBE51CM-476X	TA E CAPACITOR	47uF 16V M	
C501	NCJ11EK-106X-A	C CAPACITOR			C941	NCJ11EK-106X-A	C CAPACITOR		
C502	NCB31CK-104X	C CAPACITOR	0.1uF 16V K		C943	NBE61CM-107X	TA E CAPACITOR	100uF 16V M	
C503	NCB31CK-104X	C CAPACITOR	0.1uF 16V K		C944	NCB31HK-103X	C CAPACITOR	0.01uF 50V K	
C504	NBE41AM-106X	TA E CAPACITOR	10uF 10V M		C945	NCB31HK-103X	C CAPACITOR	0.01uF 50V K	
C511	NCJ11EK-106X-A	C CAPACITOR			C946	NQR0450-001X	EMI FILTER	0.022uF 50V M	
C512	NCB31CK-104X	C CAPACITOR	0.1uF 16V K		C947	NCB31HK-103X	C CAPACITOR	0.01uF 50V K	
C513	NCB31CK-104X	C CAPACITOR	0.1uF 16V K		C948	NBE41CM-226X	TA E CAPACITOR	22uF 16V M	
C514	NBE41DM-106X	TA E CAPACITOR	10uF 20V M		C949	NCB31HK-103X	C CAPACITOR	0.01uF 50V K	
C521	NCJ11EK-106X-A	C CAPACITOR			C950	NQR0450-001X	EMI FILTER	0.022uF 50V M	
C522	NQR0450-001X	EMI FILTER	0.022uF 50V M		C951	NCB31HK-103X	C CAPACITOR	0.01uF 50V K	
C523	NCJ11EK-106X-A	C CAPACITOR			C952	NBE41CM-226X	TA E CAPACITOR	22uF 16V M	
C524	NCB31CK-104X	C CAPACITOR	0.1uF 16V K		C953	NCB31CK-104X	C CAPACITOR	0.1uF 16V K	
C525	NCB31CK-104X	C CAPACITOR	0.1uF 16V K		C954	NBE20JM-106X	TA E CAPACITOR	10uF 6.3V M	
C526	NCB31CK-104X	C CAPACITOR	0.1uF 16V K		C955	NBE51CM-476X	TA E CAPACITOR	47uF 16V M	
C527	NEHN1CM-477X	E CAPACITOR	470uF 16V M		C956	NBE51CM-476X	TA E CAPACITOR	47uF 16V M	
C531	NCJ11EK-106X-A	C CAPACITOR			C961	NCJ11EK-106X-A	C CAPACITOR		
C532	NQR0450-001X	EMI FILTER	0.022uF 50V M		C963	NBE61CM-107X	TA E CAPACITOR	100uF 16V M	
C533	NCB31CK-104X	C CAPACITOR	0.1uF 16V K		C964	NCB31HK-103X	C CAPACITOR	0.01uF 50V K	
C541	NCJ11EK-106X-A	C CAPACITOR			C965	NCB31HK-103X	C CAPACITOR	0.01uF 50V K	
C542	NCB31CK-104X	C CAPACITOR	0.1uF 16V K		C966	NQR0450-001X	EMI FILTER	0.022uF 50V M	
C543	NCB31CK-104X	C CAPACITOR	0.1uF 16V K		C967	NCB31HK-103X	C CAPACITOR	0.01uF 50V K	
C544	NBE41DM-106X	TA E CAPACITOR	10uF 20V M		C968	NBE41CM-226X	TA E CAPACITOR	22uF 16V M	
C551	NCB31CK-104X	C CAPACITOR	0.1uF 16V K		C969	NCB31HK-103X	C CAPACITOR	0.01uF 50V K	
C552	NCB31CK-104X	C CAPACITOR	0.1uF 16V K		C970	NQR0450-001X	EMI FILTER	0.022uF 50V M	
C561	NCB31CK-104X	C CAPACITOR	0.1uF 16V K		C971	NCB31HK-103X	C CAPACITOR	0.01uF 50V K	
C562	NCB31CK-104X	C CAPACITOR	0.1uF 16V K		C972	NBE41CM-226X	TA E CAPACITOR	22uF 16V M	
C601	NBE51CM-476X	TA E CAPACITOR	47uF 16V M		C973	NBE61CM-107X	TA E CAPACITOR	100uF 16V M	
C602	NBE51CM-476X	TA E CAPACITOR	47uF 16V M		C991	NCJ11EK-106X-A	C CAPACITOR		
C751	NCB31CK-104X	C CAPACITOR	0.1uF 16V K		C1002	NBE51CM-476X	TA E CAPACITOR	47uF 16V M	
C752	NCB31CK-104X	C CAPACITOR	0.1uF 16V K		C1003	NBE40GM-476X	TA E CAPACITOR	47uF 4V M	
C801	NCB31HK-102X	C CAPACITOR	1000pF 50V K		C1005	NCB31CK-104X	C CAPACITOR	0.1uF 16V K	
C802	NCB31HK-102X	C CAPACITOR	1000pF 50V K		C1006	NCB31CK-104X	C CAPACITOR	0.1uF 16V K	
C803	NCB31CK-683X	C CAPACITOR	0.068uF 16V K		C1007	NCB31CK-104X	C CAPACITOR	0.1uF 16V K	
C804	NCB31HK-102X	C CAPACITOR	1000pF 50V K		C1008	NCB31CK-104X	C CAPACITOR	0.1uF 16V K	
C805	NCB31CK-683X	C CAPACITOR	0.068uF 16V K		C1009	NCB31CK-104X	C CAPACITOR	0.1uF 16V K	
C806	NCB31HK-222X	C CAPACITOR	2200pF 50V K		C1010	NCB31CK-104X	C CAPACITOR	0.1uF 16V K	
C807	NDC31HJ-101X	C CAPACITOR	100pF 50V J		C1011	NCB31CK-104X	C CAPACITOR	0.1uF 16V K	
C808	NCB31CK-104X	C CAPACITOR	0.1uF 16V K		C1012	NCB31CK-104X	C CAPACITOR	0.1uF 16V K	
C809	NCB31HK-102X	C CAPACITOR	1000pF 50V K		C1013	NCB31CK-104X	C CAPACITOR	0.1uF 16V K	
C810	NCB31HK-102X	C CAPACITOR	1000pF 50V K		C1014	NCB31HK-103X	C CAPACITOR	0.01uF 50V K	
C811	NCB31CK-683X	C CAPACITOR	0.068uF 16V K		C1015	NCB31CK-104X	C CAPACITOR	0.1uF 16V K	
C812	NCB31HK-102X	C CAPACITOR	1000pF 50V K		C1016	NCB31CK-104X	C CAPACITOR	0.1uF 16V K	
C813	NCB31CK-683X	C CAPACITOR	0.068uF 16V K		C1018	NCB31CK-104X	C CAPACITOR	0.1uF 16V K	
C814	NCB31HK-102X	C CAPACITOR	1000pF 50V K		C1019	NCB31CK-104X	C CAPACITOR	0.1uF 16V K	
C815	NCB31HK-102X	C CAPACITOR	1000pF 50V K		C1020	NDC31HJ-100X	C CAPACITOR	10pF 50V J	
C816	NCB31HK-221X	C CAPACITOR	220pF 50V K		C1021	NDC31HJ-150X	C CAPACITOR	15pF 50V J	
C817	NCS31HJ-271X	C CAPACITOR	270pF 50V J		C1022	NBE40GM-476X	TA E CAPACITOR	47uF 4V M	
C819	NCB31HK-221X	C CAPACITOR	220pF 50V K		C1023	NCB31HK-103X	C CAPACITOR	0.01uF 50V K	
C820	NCB31CK-104X	C CAPACITOR	0.1uF 16V K		C1024	NBE51CM-476X	TA E CAPACITOR	47uF 16V M	
C821	NCB31HK-221X	C CAPACITOR	220pF 50V K		C1025	NCB31HK-103X	C CAPACITOR	0.01uF 50V K	
C822	NCJ11EK-106X-A	C CAPACITOR			C1026	NBE51CM-476X	TA E CAPACITOR	47uF 16V M	
C823	NCB31CK-104X	C CAPACITOR	0.1uF 16V K		C1027	NCB31HK-103X	C CAPACITOR	0.01uF 50V K	
C901	NCJ11EK-106X-A	C CAPACITOR			C1028	NBE40JM-476X	TA E CAPACITOR	47uF 6.3V M	
C903	NBE51CM-476X	TA E CAPACITOR	47uF 16V M		C1029	NCB31HK-103X	C CAPACITOR	0.01uF 50V K	
C904	NCB31HK-103X	C CAPACITOR	0.01uF 50V K		C1030	NBE51CM-476X	TA E CAPACITOR	47uF 16V M	
C905	NCB31HK-103X	C CAPACITOR	0.01uF 50V K		C1031	NCB31CK-104X	C CAPACITOR	0.1uF 16V K	
C906	NQR0450-001X	EMI FILTER	0.022uF 50V M		C1032	NBE40GM-476X	TA E CAPACITOR	47uF 4V M	
C907	NCB31HK-103X	C CAPACITOR	0.01uF 50V K		C1033	NCB31CK-104X	C CAPACITOR	0.1uF 16V K	
C908	NBE41CM-226X	TA E CAPACITOR	22uF 16V M		C1034	NCB31CK-104X	C CAPACITOR	0.1uF 16V K	
C909	NCB31CK-104X	C CAPACITOR	0.1uF 16V K		C1035	NCB31CK-104X	C CAPACITOR	0.1uF 16V K	
C910	NCB31CK-104X	C CAPACITOR	0.1uF 16V K		C1036	NCB31CK-104X	C CAPACITOR	0.1uF 16V K	
C911	NCB31CK-104X	C CAPACITOR	0.1uF 16V K		C1037	NCB31CK-104X	C CAPACITOR	0.1uF 16V K	
C912	NBE51CM-476X	TA E CAPACITOR	47uF 16V M		C1038	NCB31CK-104X	C CAPACITOR	0.1uF 16V K	
C913	NCB31CK-104X	C CAPACITOR	0.1uF 16V K		C1039	NCB31CK-104X	C CAPACITOR	0.1uF 16V K	
C921	NCJ11EK-106X-A	C CAPACITOR			C1040	NCB31CK-104X	C CAPACITOR	0.1uF 16V K	
C923	NBE51CM-476X	TA E CAPACITOR	47uF 16V M		C1041	NCB31CK-104X	C CAPACITOR	0.1uF 16V K	
C924	NCB31HK-103X	C CAPACITOR	0.01uF 50V K		C1042	NCB31CK-104X	C CAPACITOR	0.1uF 16V K	
C925	NCB31HK-103X	C CAPACITOR	0.01uF 50V K		C1043	NCB31CK-104X	C CAPACITOR	0.1uF 16V K	
C926	NQR0450-001X	EMI FILTER	0.022uF 50V M		C1044	NCB31CK-104X	C CAPACITOR	0.1uF 16V K	
C927	NCB31HK-103X	C CAPACITOR	0.01uF 50V K		C1045	NCB31CK-104X	C CAPACITOR	0.1uF 16V K	
C928	NBE41CM-226X	TA E CAPACITOR	22uF 16V M		C1046	NCB31CK-104X	C CAPACITOR	0.1uF 16V K	
C929	NCB31HK-103X	C CAPACITOR	0.01uF 50V K		C1047	NCB31CK-104X	C CAPACITOR	0.1uF 16V K	
C930	NQR0450-001X	EMI FILTER	0.022uF 50V M		C1048	NCB31CK-104X	C CAPACITOR	0.1uF 16V K	

△ Symbol No.	Part No.	Part Name	Description	Local	△ Symbol No.	Part No.	Part Name	Description	Local
C1049	NCB31HK-103X	C CAPACITOR	0.01uF 50V K		C2008	NBE41CM-106X	TA E CAPACITOR	10uF 16V M	
C1172	NQR0450-001X	EMI FILTER	0.022uF 50V M		C2009	NCB31CK-104X	C CAPACITOR	0.1uF 16V K	
C1173	NQR0450-001X	EMI FILTER	0.022uF 50V M		C2010	NCB31HK-471X	C CAPACITOR	470pF 50V K	
C1174	NQR0450-001X	EMI FILTER	0.022uF 50V M		C2011	NCB31HK-471X	C CAPACITOR	470pF 50V K	
C1175	NQR0450-001X	EMI FILTER	0.022uF 50V M		C2012	NCB31CK-104X	C CAPACITOR	0.1uF 16V K	
C1176	NQR0450-001X	EMI FILTER	0.022uF 50V M		C2013	NCB31CK-104X	C CAPACITOR	0.1uF 16V K	
C1177	NQR0450-001X	EMI FILTER	0.022uF 50V M		C2014	NCB31CK-104X	C CAPACITOR	0.1uF 16V K	
C1178	NQR0450-001X	EMI FILTER	0.022uF 50V M		C2015	NCB31CK-104X	C CAPACITOR	0.1uF 16V K	
C1191	NCB31CK-104X	C CAPACITOR	0.1uF 16V K		C2016	NCB31CK-104X	C CAPACITOR	0.1uF 16V K	
C1192	NCB31CK-104X	C CAPACITOR	0.1uF 16V K		C2017	NCB31CK-104X	C CAPACITOR	0.1uF 16V K	
C1201	NBE51CM-476X	TA E CAPACITOR	47uF 16V M		C2018	NCB31CK-104X	C CAPACITOR	0.1uF 16V K	
C1202	NDC31HJ-101X	C CAPACITOR	100pF 50V J		C2019	NCB31CK-104X	C CAPACITOR	0.1uF 16V K	
C1203	NCB31CK-104X	C CAPACITOR	0.1uF 16V K		C2020	NCB31CK-104X	C CAPACITOR	0.1uF 16V K	
C1204	NDC31HJ-101X	C CAPACITOR	100pF 50V J		C2021	NCB31CK-104X	C CAPACITOR	0.1uF 16V K	
C1205	NCB31CK-104X	C CAPACITOR	0.1uF 16V K		C2022	NCB31CK-104X	C CAPACITOR	0.1uF 16V K	
C1206	NDC31HJ-101X	C CAPACITOR	100pF 50V J		C2023	NCB31CK-104X	C CAPACITOR	0.1uF 16V K	
C1207	NCB31CK-104X	C CAPACITOR	0.1uF 16V K		C2024	NCB31CK-104X	C CAPACITOR	0.1uF 16V K	
C1208	NCB31CK-104X	C CAPACITOR	0.1uF 16V K		C2025	NCB31CK-104X	C CAPACITOR	0.1uF 16V K	
C1209	NDC31HJ-101X	C CAPACITOR	100pF 50V J		C2026	NCB31CK-104X	C CAPACITOR	0.1uF 16V K	
C1210	NCB31CK-104X	C CAPACITOR	0.1uF 16V K		C2027	NCB31CK-104X	C CAPACITOR	0.1uF 16V K	
C1211	NCB31CK-104X	C CAPACITOR	0.1uF 16V K		C2028	NBE41CM-106X	TA E CAPACITOR	10uF 16V M	
C1212	NDC31HJ-101X	C CAPACITOR	100pF 50V J		C2029	NCB21CK-105X	C CAPACITOR	1uF 16V K	
C1213	NCB31CK-104X	C CAPACITOR	0.1uF 16V K		C2030	NCB31CK-104X	C CAPACITOR	0.1uF 16V K	
C1214	NCB31CK-104X	C CAPACITOR	0.1uF 16V K		C2031	NCB31CK-104X	C CAPACITOR	0.1uF 16V K	
C1215	NDC31HJ-101X	C CAPACITOR	100pF 50V J		C2032	NCB31CK-104X	C CAPACITOR	0.1uF 16V K	
C1216	NCB31CK-104X	C CAPACITOR	0.1uF 16V K		C2033	NCB31CK-104X	C CAPACITOR	0.1uF 16V K	
C1217	NCB31CK-104X	C CAPACITOR	0.1uF 16V K		C2034	NCB31CK-104X	C CAPACITOR	0.1uF 16V K	
C1301	NDC31HJ-101X	C CAPACITOR	100pF 50V J		C2035	NCB31CK-104X	C CAPACITOR	0.1uF 16V K	
C1302	NCB31CK-104X	C CAPACITOR	0.1uF 16V K		C2036	NCB31CK-104X	C CAPACITOR	0.1uF 16V K	
C1331	NCB31CK-104X	C CAPACITOR	0.1uF 16V K		C2037	NCB31CK-103X	C CAPACITOR	0.01uF 16V K	
C1332	NDC31HJ-101X	C CAPACITOR	100pF 50V J		C2038	NCB31HK-103X	C CAPACITOR	0.01uF 50V K	
C1341	NCB31CK-104X	C CAPACITOR	0.1uF 16V K		C2201	NCB31HK-103X	C CAPACITOR	0.01uF 50V K	
C1342	NDC31HJ-101X	C CAPACITOR	100pF 50V J		C2202	NDC31HJ-150X	C CAPACITOR	15pF 50V J	
C1351	NCB11CK-105X	C CAPACITOR	1uF 16V K		C2203	NDC31HJ-150X	C CAPACITOR	15pF 50V J	
C1352	NCB31CK-104X	C CAPACITOR	0.1uF 16V K		C2208	NCB31HK-103X	C CAPACITOR	0.01uF 50V K	
C1401	NCB31CK-104X	C CAPACITOR	0.1uF 16V K		C2209	NBE41CM-226X	TA E CAPACITOR	22uF 16V M	
C1421	NCB31CK-104X	C CAPACITOR	0.1uF 16V K		C2210	NCB31CK-104X	C CAPACITOR	0.1uF 16V K	
C1431	NCB31CK-104X	C CAPACITOR	0.1uF 16V K		C2211	NCB31CK-104X	C CAPACITOR	0.1uF 16V K	
C1441	NCB31CK-104X	C CAPACITOR	0.1uF 16V K		C2212	NBE41CM-106X	TA E CAPACITOR	10uF 16V M	
C1502	NCB31HK-331X	C CAPACITOR	330pF 50V K		C2215	NCB31HK-103X	C CAPACITOR	0.01uF 50V K	
C1503	NCB31HK-103X	C CAPACITOR	0.01uF 50V K		C2216	NBE41CM-226X	TA E CAPACITOR	22uF 16V M	
C1504	NCB31HK-102X	C CAPACITOR	1000pF 50V K		C2217	NCB31CK-104X	C CAPACITOR	0.1uF 16V K	
C1505	NBE51CM-476X	TA E CAPACITOR	47uF 16V M		C2218	NCB31HK-103X	C CAPACITOR	0.01uF 50V K	
C1506	NCB31CK-104X	C CAPACITOR	0.1uF 16V K		C2219	NCB31HK-103X	C CAPACITOR	0.01uF 50V K	
C1524	NCB31HK-103X	C CAPACITOR	0.01uF 50V K		C2220	NCB31CK-104X	C CAPACITOR	0.1uF 16V K	
C1525	NBE61CM-107X	TA E CAPACITOR	100uF 16V M		C2221	NBE41CM-226X	TA E CAPACITOR	22uF 16V M	
C1526	NCB31HK-103X	C CAPACITOR	0.01uF 50V K		C2222	NCB31HK-103X	C CAPACITOR	0.01uF 50V K	
C1527	NCB31HK-103X	C CAPACITOR	0.01uF 50V K		C2223	NCB31CK-104X	C CAPACITOR	0.1uF 16V K	
C1601	NBE40JM-476X	TA E CAPACITOR	47uF 6.3V M		C2224	NCB31CK-104X	C CAPACITOR	0.1uF 16V K	
C1602	NBE40JM-476X	TA E CAPACITOR	47uF 6.3V M		C2225	NCB31CK-104X	C CAPACITOR	0.1uF 16V K	
C1603	NCB31CK-104X	C CAPACITOR	0.1uF 16V K		C2301	NCB31CK-104X	C CAPACITOR	0.1uF 16V K	
C1604	NCB31CK-104X	C CAPACITOR	0.1uF 16V K		C2302	NCB31HK-103X	C CAPACITOR	0.01uF 50V K	
C1605	NBE41CM-226X	TA E CAPACITOR	22uF 16V M		C2303	NBE41AM-475X	TA E CAPACITOR	4.7uF 10V M	
C1606	NCB31CK-104X	C CAPACITOR	0.1uF 16V K		C2304	NCB31HK-102X	C CAPACITOR	1000pF 50V K	
C1611	NBE51CM-476X	TA E CAPACITOR	47uF 16V M		C2305	NCB31HK-103X	C CAPACITOR	0.01uF 50V K	
C1701	NCB31HK-332X	C CAPACITOR	3300pF 50V K		C2306	NBE41CM-226X	TA E CAPACITOR	22uF 16V M	
C1702	NCB31HK-471X	C CAPACITOR	470pF 50V K		C2307	NCB31CK-224X	C CAPACITOR	0.22uF 16V K	
C1703	NCB31HK-471X	C CAPACITOR	470pF 50V K		C2308	NBE41CM-226X	TA E CAPACITOR	22uF 16V M	
C1704	NBE41AM-475X	TA E CAPACITOR	4.7uF 10V M		C2309	NCB31HK-103X	C CAPACITOR	0.01uF 50V K	
C1801	NCB31HK-332X	C CAPACITOR	3300pF 50V K		C2310	NBE41AM-475X	TA E CAPACITOR	4.7uF 10V M	
C1802	NCB31HK-471X	C CAPACITOR	470pF 50V K		C2311	NBE41AM-475X	TA E CAPACITOR	4.7uF 10V M	
C1803	NCB31HK-471X	C CAPACITOR	470pF 50V K		C2312	NBE41AM-475X	TA E CAPACITOR	4.7uF 10V M	
C1804	NBE41AM-475X	TA E CAPACITOR	4.7uF 10V M		C2313	NBE51AM-107X	TA E CAPACITOR	100uF 10V M	
C1901	NBE61CM-107X	TA E CAPACITOR	100uF 16V M		C2314	NBE41AM-226X	TA E CAPACITOR	22uF 10V M	
C1902	NCB31CK-473X	C CAPACITOR	0.047uF 16V K		C2315	NBE51AM-107X	TA E CAPACITOR	100uF 10V M	
C1911	NCB31HK-221X	C CAPACITOR	220pF 50V K		C2316	NBE41AM-226X	TA E CAPACITOR	22uF 10V M	
C1913	NCB31HK-471X	C CAPACITOR	470pF 50V K		C2317	NBE51AM-107X	TA E CAPACITOR	100uF 10V M	
C1914	NCB31HK-221X	C CAPACITOR	220pF 50V K		C2318	NBE41AM-226X	TA E CAPACITOR	22uF 10V M	
C1915	NCB20JK-155X	C CAPACITOR	1.5uF 6.3V K		C2319	NBE41CM-226X	TA E CAPACITOR	22uF 16V M	
C1921	NBE60JM-337X	TA E CAPACITOR	330uF 6.3V M		C2320	NCB31HK-103X	C CAPACITOR	0.01uF 50V K	
C1931	NBE60JM-337X	TA E CAPACITOR	330uF 6.3V M		C2321	NBE41AM-475X	TA E CAPACITOR	4.7uF 10V M	
C2001	NCB31CK-104X	C CAPACITOR	0.1uF 16V K		C2322	NBE41AM-475X	TA E CAPACITOR	4.7uF 10V M	
C2002	NCB31CK-104X	C CAPACITOR	0.1uF 16V K		C2323	NBE41AM-475X	TA E CAPACITOR	4.7uF 10V M	
C2003	NCB31CK-104X	C CAPACITOR	0.1uF 16V K		C2324	NBE41AM-475X	TA E CAPACITOR	4.7uF 10V M	
C2004	NCB31CK-104X	C CAPACITOR	0.1uF 16V K		C2325	NBE41CM-226X	TA E CAPACITOR	22uF 16V M	
C2005	NBE41CM-106X	TA E CAPACITOR	10uF 16V M		C2326	NCB31HK-103X	C CAPACITOR	0.01uF 50V K	
C2006	NBE41CM-226X	TA E CAPACITOR	22uF 16V M		C2327	NBE40GM-227X	TA E CAPACITOR	220uF 4V M	
C2007	NCB31CK-104X	C CAPACITOR	0.1uF 16V K		C2329	NBE41CM-226X	TA E CAPACITOR	22uF 16V M	

△ Symbol No.	Part No.	Part Name	Description	Local	△ Symbol No.	Part No.	Part Name	Description	Local
C2330	NCB31HK-103X	C CAPACITOR	0.01uF 50V K		R324	NRSA63J-222X	MG RESISTOR	2.2kΩ 1/16W J	
C2331	NBE40GM-227X	TA E CAPACITOR	220uF 4V M		R325	NRSA63J-222X	MG RESISTOR	2.2kΩ 1/16W J	
C2332	NBE41AM-475X	TA E CAPACITOR	4.7uF 10V M		R326	NRSA63J-332X	MG RESISTOR	3.3kΩ 1/16W J	
C2333	NBE41AM-475X	TA E CAPACITOR	4.7uF 10V M		R327	NRSA63J-682X	MG RESISTOR	6.8kΩ 1/16W J	
C2401	NCB31CK-104X	C CAPACITOR	0.1uF 16V K		R328	NRSA63J-332X	MG RESISTOR	3.3kΩ 1/16W J	
C2402	NBE41CM-226X	TA E CAPACITOR	22uF 16V M		R329	NRSA63J-682X	MG RESISTOR	6.8kΩ 1/16W J	
C2403	NCB31CK-104X	C CAPACITOR	0.1uF 16V K		R330	NRSA63J-473X	MG RESISTOR	47kΩ 1/16W J	
C2404	NBE41CM-226X	TA E CAPACITOR	22uF 16V M		R331	NRSA63J-473X	MG RESISTOR	47kΩ 1/16W J	
C2405	NCB31CK-104X	C CAPACITOR	0.1uF 16V K		R332	NRSA63J-473X	MG RESISTOR	47kΩ 1/16W J	
C2406	NBE41CM-106X	TA E CAPACITOR	10uF 16V M		R333	NRSA63J-472X	MG RESISTOR	4.7kΩ 1/16W J	
C2501	NBE41CM-106X	TA E CAPACITOR	10uF 16V M		R334	NRSA63J-472X	MG RESISTOR	4.7kΩ 1/16W J	
C2502	NBE41CM-106X	TA E CAPACITOR	10uF 16V M		R335	NRSA63J-222X	MG RESISTOR	2.2kΩ 1/16W J	
C2503	NBE41CM-106X	TA E CAPACITOR	10uF 16V M		R336	NRSA63J-471X	MG RESISTOR	470Ω 1/16W J	
C2504	NDC31HJ-100X	C CAPACITOR	10pF 50V J		R337	NRSA63J-471X	MG RESISTOR	470Ω 1/16W J	
C2505	NDC31HJ-100X	C CAPACITOR	10pF 50V J		R338	NRSA63J-471X	MG RESISTOR	470Ω 1/16W J	
C2506	NCB31HK-102X	C CAPACITOR	1000pF 50V K		R339	NRSA63J-471X	MG RESISTOR	470Ω 1/16W J	
C2507	NBE61CM-107X	TA E CAPACITOR	100uF 16V M		R340	NRSA63J-471X	MG RESISTOR	470Ω 1/16W J	
C2508	NCB31CK-104X	C CAPACITOR	0.1uF 16V K		R341	NRSA63J-471X	MG RESISTOR	470Ω 1/16W J	
C2509	NBE51AM-107X	TA E CAPACITOR	100uF 10V M		R342	NRSA63J-471X	MG RESISTOR	470Ω 1/16W J	
C2510	NCB31CK-104X	C CAPACITOR	0.1uF 16V K		R343	NRSA63J-471X	MG RESISTOR	470Ω 1/16W J	
C2511	NCB21CK-105X	C CAPACITOR	1uF 16V K		R344	NRSA63J-471X	MG RESISTOR	470Ω 1/16W J	
C2512	NCB21CK-105X	C CAPACITOR	1uF 16V K		R345	NRSA63J-471X	MG RESISTOR	470Ω 1/16W J	
C2513	NCB21CK-105X	C CAPACITOR	1uF 16V K		R346	NRSA63J-471X	MG RESISTOR	470Ω 1/16W J	
C2514	NCB21CK-105X	C CAPACITOR	1uF 16V K		R348	NRSA63J-471X	MG RESISTOR	470Ω 1/16W J	
C2515	NCB31CK-104X	C CAPACITOR	0.1uF 16V K		R350	NRSA63J-471X	MG RESISTOR	470Ω 1/16W J	
C2516	NCB31CK-104X	C CAPACITOR	0.1uF 16V K		R351	NRSA63J-471X	MG RESISTOR	470Ω 1/16W J	
C2517	NCB31CK-104X	C CAPACITOR	0.1uF 16V K		R352	NRSA63J-471X	MG RESISTOR	470Ω 1/16W J	
C2518	NCB31CK-104X	C CAPACITOR	0.1uF 16V K		R353	NRSA63J-471X	MG RESISTOR	470Ω 1/16W J	
C2519	NCB31CK-104X	C CAPACITOR	0.1uF 16V K		R354	NRSA63J-471X	MG RESISTOR	470Ω 1/16W J	
C2520	NCB31CK-104X	C CAPACITOR	0.1uF 16V K		R355	NRSA63J-471X	MG RESISTOR	470Ω 1/16W J	
C2521	NCB31CK-104X	C CAPACITOR	0.1uF 16V K		R356	NRSA63J-471X	MG RESISTOR	470Ω 1/16W J	
C2522	NCB31CK-104X	C CAPACITOR	0.1uF 16V K		R357	NRSA63J-471X	MG RESISTOR	470Ω 1/16W J	
C2523	NCB31CK-104X	C CAPACITOR	0.1uF 16V K		R358	NRSA63J-471X	MG RESISTOR	470Ω 1/16W J	
C2524	NCB31CK-104X	C CAPACITOR	0.1uF 16V K		R359	NRSA63J-471X	MG RESISTOR	470Ω 1/16W J	
C2525	NCB31CK-104X	C CAPACITOR	0.1uF 16V K		R360	NRSA63J-471X	MG RESISTOR	470Ω 1/16W J	
C2526	NCB31CK-104X	C CAPACITOR	0.1uF 16V K		R361	NRSA63J-471X	MG RESISTOR	470Ω 1/16W J	
C2527	NCB31CK-104X	C CAPACITOR	0.1uF 16V K		R362	NRSA63J-471X	MG RESISTOR	470Ω 1/16W J	
C2528	NCB31CK-104X	C CAPACITOR	0.1uF 16V K		R363	NRSA63J-473X	MG RESISTOR	47kΩ 1/16W J	
C2529	NCB21CK-105X	C CAPACITOR	1uF 16V K		R364	NRSA63J-471X	MG RESISTOR	470Ω 1/16W J	
C2530	NCB21CK-105X	C CAPACITOR	1uF 16V K		R365	NRSA63J-473X	MG RESISTOR	47kΩ 1/16W J	
C2531	NCB31CK-103X	C CAPACITOR	0.01uF 16V K		R366	NRSA63J-471X	MG RESISTOR	470Ω 1/16W J	
C3901	NEAF1CM-226X	E CAPACITOR	22uF 16V M		R367	NRSA63J-473X	MG RESISTOR	47kΩ 1/16W J	
					R368	NRSA63J-392X	MG RESISTOR	3.9kΩ 1/16W J	
R101	NRS181J-0R0X	MG RESISTOR	0Ω 1/8W J		R369	NRSA63J-103X	MG RESISTOR	10kΩ 1/16W J	
R102	NRSA63J-271X	MG RESISTOR	270Ω 1/16W J	AV7001E, AV7001EU	R370	NRSA63J-474X	MG RESISTOR	470kΩ 1/16W J	
R111	NRSA02J-102X	MG RESISTOR	1kΩ 1/10W J		R371	NRSA63J-102X	MG RESISTOR	1kΩ 1/16W J	
R112	NRSA02J-102X	MG RESISTOR	1kΩ 1/10W J		R372	NRSA63J-471X	MG RESISTOR	470Ω 1/16W J	
R113	NRSA02J-473X	MG RESISTOR	47kΩ 1/10W J		R373	NRSA63J-392X	MG RESISTOR	3.9kΩ 1/16W J	
R114	NRSA02J-104X	MG RESISTOR	100kΩ 1/10W J		R374	NRSA63J-392X	MG RESISTOR	3.9kΩ 1/16W J	
R121	NRSA02J-472X	MG RESISTOR	4.7kΩ 1/10W J		R375	NRSA63J-392X	MG RESISTOR	3.9kΩ 1/16W J	
R122	NRSA02J-473X	MG RESISTOR	47kΩ 1/10W J		R376	NRSA02J-0R0X	MG RESISTOR	0Ω 1/10W J	
R123	NRSA63J-473X	MG RESISTOR	47kΩ 1/16W J		R381	NRSA63J-222X	MG RESISTOR	2.2kΩ 1/16W J	
R124	NRSA63J-472X	MG RESISTOR	4.7kΩ 1/16W J		R382	NRSA63J-473X	MG RESISTOR	47kΩ 1/16W J	
R125	NRSA63J-473X	MG RESISTOR	47kΩ 1/16W J		R383	NRSA02J-0R0X	MG RESISTOR	0Ω 1/10W J	
R131	NRSA02J-104X	MG RESISTOR	100kΩ 1/10W J		R391	NRSA63J-473X	MG RESISTOR	47kΩ 1/16W J	
R132	NRSA02J-103X	MG RESISTOR	10kΩ 1/10W J		R392	NRSA63J-473X	MG RESISTOR	47kΩ 1/16W J	
R133	NRSA63J-473X	MG RESISTOR	47kΩ 1/16W J		R393	NRSA63J-473X	MG RESISTOR	47kΩ 1/16W J	
R301	NRSA63J-103X	MG RESISTOR	10kΩ 1/16W J		R394	NRSA63J-471X	MG RESISTOR	470Ω 1/16W J	
R302	NRSA63J-103X	MG RESISTOR	10kΩ 1/16W J		R401	NRSA63J-102X	MG RESISTOR	1kΩ 1/16W J	
R303	NRSA63J-103X	MG RESISTOR	10kΩ 1/16W J		R402	NRSA63J-102X	MG RESISTOR	1kΩ 1/16W J	
R305	NRSA63J-103X	MG RESISTOR	10kΩ 1/16W J		R403	NRSA63J-102X	MG RESISTOR	1kΩ 1/16W J	
R306	NRSA63J-332X	MG RESISTOR	3.3kΩ 1/16W J		R404	NRSA63J-102X	MG RESISTOR	1kΩ 1/16W J	
R307	NRSA63J-682X	MG RESISTOR	6.8kΩ 1/16W J		R411	NRSA63J-331X	MG RESISTOR	330Ω 1/16W J	
R308	NRSA63J-332X	MG RESISTOR	3.3kΩ 1/16W J		R501	NRSA02J-0R0X	MG RESISTOR	0Ω 1/10W J	
R309	NRSA63J-682X	MG RESISTOR	6.8kΩ 1/16W J		R511	NRSA63J-393X	MG RESISTOR	39kΩ 1/16W J	
R310	NRSA63J-331X	MG RESISTOR	330Ω 1/16W J		R512	NRSA63J-163X	MG RESISTOR	16kΩ 1/16W J	
R311	NRSA63J-473X	MG RESISTOR	47kΩ 1/16W J		R513	NRSA63J-222X	MG RESISTOR	2.2kΩ 1/16W J	
R313	NRSA63J-0R0X	MG RESISTOR	0Ω 1/16W J		R514	NRSA02J-0R0X	MG RESISTOR	0Ω 1/10W J	
R314	NRSA63J-222X	MG RESISTOR	2.2kΩ 1/16W J		R521	NRSA63J-473X	MG RESISTOR	47kΩ 1/16W J	
R315	NRSA63J-223X	MG RESISTOR	22kΩ 1/16W J		R522	NRSA63J-473X	MG RESISTOR	47kΩ 1/16W J	
R317	NRSA63J-103X	MG RESISTOR	10kΩ 1/16W J		R523	NRSA63J-473X	MG RESISTOR	47kΩ 1/16W J	
R318	NRSA63J-472X	MG RESISTOR	4.7kΩ 1/16W J		R531	NRSA63J-473X	MG RESISTOR	47kΩ 1/16W J	
R319	NRSA63J-472X	MG RESISTOR	4.7kΩ 1/16W J		R532	NRSA63J-473X	MG RESISTOR	47kΩ 1/16W J	
R320	NRSA63J-471X	MG RESISTOR	470Ω 1/16W J		R533	NRSA63J-473X	MG RESISTOR	47kΩ 1/16W J	
R321	NRSA63J-471X	MG RESISTOR	470Ω 1/16W J		R541	NRSA63J-153X	MG RESISTOR	15kΩ 1/16W J	
R322	NRSA63J-102X	MG RESISTOR	1kΩ 1/16W J		R542	NRSA63J-222X	MG RESISTOR	2.2kΩ 1/16W J	
R323	NRSA63J-222X	MG RESISTOR	2.2kΩ 1/16W J		R543	NRSA63J-102X	MG RESISTOR	1kΩ 1/16W J	
					R544	NRSA63J-222X	MG RESISTOR	2.2kΩ 1/16W J	

△ Symbol No.	Part No.	Part Name	Description	Local	△ Symbol No.	Part No.	Part Name	Description	Local
R601	NRSA63J-471X	MG RESISTOR	470Ω 1/16W J		R968	NRSA63J-153X	MG RESISTOR	15kΩ 1/16W J	
R751	NRSA63J-471X	MG RESISTOR	470Ω 1/16W J		R969	NRSA63J-392X	MG RESISTOR	3.9kΩ 1/16W J	
R752	NRSA63J-471X	MG RESISTOR	470Ω 1/16W J		R981	NRSA02J-0R0X	MG RESISTOR	0Ω 1/10W J	
R753	NRSA63J-471X	MG RESISTOR	470Ω 1/16W J		R982	NRSA02J-0R0X	MG RESISTOR	0Ω 1/10W J	
R754	NRSA63J-0R0X	MG RESISTOR	0Ω 1/16W J						AV7001E,
R755	NRSA63J-471X	MG RESISTOR	470Ω 1/16W J						AV7001EU,
R756	NRSA63J-471X	MG RESISTOR	470Ω 1/16W J		R983	NRSA02J-0R0X	MG RESISTOR	0Ω 1/10W J	AV7005U,
R757	NRSA63J-471X	MG RESISTOR	470Ω 1/16W J						AV7005UN,
R758	NRSA63J-471X	MG RESISTOR	470Ω 1/16W J						AV7008A
R759	NRSA63J-471X	MG RESISTOR	470Ω 1/16W J						AV7001E,
R760	NRSA63J-471X	MG RESISTOR	470Ω 1/16W J		R984	NRSA02J-0R0X	MG RESISTOR	0Ω 1/10W J	AV7001EU,
R761	NRSA63J-473X	MG RESISTOR	47kΩ 1/16W J						AV7005U,
R762	NRSA63J-222X	MG RESISTOR	2.2kΩ 1/16W J						AV7005UN,
R763	NRSA63J-473X	MG RESISTOR	47kΩ 1/16W J						AV7008A
R801	NRSA63J-103X	MG RESISTOR	10kΩ 1/16W J						AV7001E,
R802	NRSA63J-0R0X	MG RESISTOR	0Ω 1/16W J		R985	NRSA02J-0R0X	MG RESISTOR	0Ω 1/10W J	AV7001EU,
R803	NRSA63J-472X	MG RESISTOR	4.7kΩ 1/16W J						AV7005U,
R804	NRSA63J-472X	MG RESISTOR	4.7kΩ 1/16W J						AV7005UN,
R805	NRSA63J-154X	MG RESISTOR	150kΩ 1/16W J						AV7008A
R806	NRSA63J-103X	MG RESISTOR	10kΩ 1/16W J		R986	NRSA02J-0R0X	MG RESISTOR	0Ω 1/10W J	AV7001E,
R807	NRSA63J-0R0X	MG RESISTOR	0Ω 1/16W J						AV7001EU,
R808	NRSA63J-472X	MG RESISTOR	4.7kΩ 1/16W J						AV7005U,
R809	NRSA63J-472X	MG RESISTOR	4.7kΩ 1/16W J		R988	NRSA02J-0R0X	MG RESISTOR	0Ω 1/10W J	AV7005UN,
R810	NRSA63J-683X	MG RESISTOR	68kΩ 1/16W J						AV7008A
R811	NRSA63J-103X	MG RESISTOR	10kΩ 1/16W J						AV7001E,
R812	NRSA63J-472X	MG RESISTOR	4.7kΩ 1/16W J		R990	NRSA63J-0R0X	MG RESISTOR	0Ω 1/16W J	AV7001EU,
R813	NRSA63J-472X	MG RESISTOR	4.7kΩ 1/16W J						AV7005U,
R814	NRSA63J-154X	MG RESISTOR	150kΩ 1/16W J						AV7005UN,
R815	NRSA63J-0R0X	MG RESISTOR	0Ω 1/16W J						AV7008A
R816	NRSA63J-103X	MG RESISTOR	10kΩ 1/16W J		R991	NRSA02J-0R0X	MG RESISTOR	0Ω 1/10W J	AV7001E,
R817	NRSA63J-472X	MG RESISTOR	4.7kΩ 1/16W J						AV7001EU,
R818	NRSA63J-472X	MG RESISTOR	4.7kΩ 1/16W J						AV7005U,
R819	NRSA63J-0R0X	MG RESISTOR	0Ω 1/16W J						AV7005UN,
R820	NRSA63J-154X	MG RESISTOR	150kΩ 1/16W J						AV7008A
R821	NRSA63J-103X	MG RESISTOR	10kΩ 1/16W J		R992	NRSA02J-0R0X	MG RESISTOR	0Ω 1/10W J	AV7001E,
R822	NRSA63J-331X	MG RESISTOR	330Ω 1/16W J						AV7001EU,
R823	NRSA63J-471X	MG RESISTOR	470Ω 1/16W J						AV7005U,
R824	NRSA63J-471X	MG RESISTOR	470Ω 1/16W J		R1001	NRSA63J-220X	MG RESISTOR	22Ω 1/16W J	AV7005UN,
R825	NRSA63J-471X	MG RESISTOR	470Ω 1/16W J		R1002	NRSA63J-220X	MG RESISTOR	22Ω 1/16W J	AV7008A
R826	NRSA63J-752X	MG RESISTOR	7.5kΩ 1/16W J		R1003	NRSA63J-220X	MG RESISTOR	22Ω 1/16W J	
R827	NRSA63J-622X	MG RESISTOR	6.2kΩ 1/16W J		R1004	NRSA63J-220X	MG RESISTOR	22Ω 1/16W J	
R828	NRSA63J-183X	MG RESISTOR	18kΩ 1/16W J		R1005	NRSA63J-220X	MG RESISTOR	22Ω 1/16W J	
R829	NRSA63J-273X	MG RESISTOR	27kΩ 1/16W J		R1006	NRSA63J-220X	MG RESISTOR	22Ω 1/16W J	
R902	NRSA63J-0R0X	MG RESISTOR	0Ω 1/16W J		R1007	NRSA63J-470X	MG RESISTOR	47Ω 1/16W J	
R903	NRSA63J-822X	MG RESISTOR	8.2kΩ 1/16W J		R1008	NRSA63J-470X	MG RESISTOR	47Ω 1/16W J	
R904	NRSA63J-222X	MG RESISTOR	2.2kΩ 1/16W J		R1009	NRSA63J-470X	MG RESISTOR	47Ω 1/16W J	
R905	NRSA02J-0R0X	MG RESISTOR	0Ω 1/10W J		R1010	NRSA63J-470X	MG RESISTOR	47Ω 1/16W J	
R906	NRSA02J-0R0X	MG RESISTOR	0Ω 1/10W J		R1011	NRSA63J-470X	MG RESISTOR	47Ω 1/16W J	
R907	NRSA02J-0R0X	MG RESISTOR	0Ω 1/10W J		R1012	NRSA63J-470X	MG RESISTOR	47Ω 1/16W J	
R908	NRSA63J-0R0X	MG RESISTOR	0Ω 1/16W J		R1013	NRSA63J-470X	MG RESISTOR	47Ω 1/16W J	
R909	NRSA63J-103X	MG RESISTOR	10kΩ 1/16W J		R1014	NRSA63J-470X	MG RESISTOR	47Ω 1/16W J	
R910	NRSA02J-0R0X	MG RESISTOR	0Ω 1/10W J		R1015	NRSA63J-100X	MG RESISTOR	10Ω 1/16W J	
R911	NRSA02J-0R0X	MG RESISTOR	0Ω 1/10W J		R1016	NRSA63J-470X	MG RESISTOR	47Ω 1/16W J	
R912	NRSA63J-392X	MG RESISTOR	3.9kΩ 1/16W J		R1017	NRSA63J-470X	MG RESISTOR	47Ω 1/16W J	
R913	NRSA63J-512X	MG RESISTOR	5.1kΩ 1/16W J		R1018	NRSA63J-470X	MG RESISTOR	47Ω 1/16W J	
R922	NRSA63J-362X	MG RESISTOR	3.6kΩ 1/16W J		R1019	NRSA63J-470X	MG RESISTOR	47Ω 1/16W J	
R923	NRSA63J-222X	MG RESISTOR	2.2kΩ 1/16W J		R1020	NRSA63J-470X	MG RESISTOR	47Ω 1/16W J	
R924	NRSA02J-0R0X	MG RESISTOR	0Ω 1/10W J		R1021	NRSA63J-470X	MG RESISTOR	47Ω 1/16W J	
R925	NRSA63J-0R0X	MG RESISTOR	0Ω 1/16W J		R1022	NRSA63J-470X	MG RESISTOR	47Ω 1/16W J	
R926	NRSA63J-102X	MG RESISTOR	1kΩ 1/16W J		R1023	NRSA63J-470X	MG RESISTOR	47Ω 1/16W J	
R927	NRSA63J-103X	MG RESISTOR	10kΩ 1/16W J		R1024	NRSA63J-470X	MG RESISTOR	47Ω 1/16W J	
R931	NRSA63J-101X	MG RESISTOR	100Ω 1/16W J		R1025	NRSA63J-470X	MG RESISTOR	47Ω 1/16W J	
R932	NRSA63J-220X	MG RESISTOR	22Ω 1/16W J		R1026	NRSA63J-470X	MG RESISTOR	47Ω 1/16W J	
R942	NRSA63J-362X	MG RESISTOR	3.6kΩ 1/16W J		R1027	NRSA63J-470X	MG RESISTOR	47Ω 1/16W J	
R943	NRSA63J-222X	MG RESISTOR	2.2kΩ 1/16W J		R1028	NRSA63J-470X	MG RESISTOR	47Ω 1/16W J	
					R1029	NRSA63J-220X	MG RESISTOR	22Ω 1/16W J	
R944	NRSA02J-0R0X	MG RESISTOR	0Ω 1/10W J	AV7001E, AV7001EU, AV7005U, AV7005UN, AV7008A	R1030	NRSA63J-220X	MG RESISTOR	22Ω 1/16W J	
					R1031	NRSA63J-220X	MG RESISTOR	22Ω 1/16W J	
R945	NRSA63J-0R0X	MG RESISTOR	0Ω 1/16W J		R1032	NRSA63J-220X	MG RESISTOR	22Ω 1/16W J	
R946	NRSA63J-752X	MG RESISTOR	7.5kΩ 1/16W J		R1033	NRSA63J-220X	MG RESISTOR	22Ω 1/16W J	
R947	NRSA63J-392X	MG RESISTOR	3.9kΩ 1/16W J		R1034	NRSA63J-220X	MG RESISTOR	22Ω 1/16W J	
R962	NRSA63J-513X	MG RESISTOR	51kΩ 1/16W J		R1035	NRSA63J-220X	MG RESISTOR	22Ω 1/16W J	
R963	NRSA63J-513X	MG RESISTOR	51kΩ 1/16W J		R1036	NRSA63J-220X	MG RESISTOR	22Ω 1/16W J	
R964	NRSA63J-472X	MG RESISTOR	4.7kΩ 1/16W J		R1037	NRSA63J-220X	MG RESISTOR	22Ω 1/16W J	
R965	NRSA02J-0R0X	MG RESISTOR	0Ω 1/10W J		R1038	NRSA63J-220X	MG RESISTOR	22Ω 1/16W J	
R966	NRSA02J-0R0X	MG RESISTOR	0Ω 1/10W J		R1039	NRSA63J-220X	MG RESISTOR	22Ω 1/16W J	
R967	NRSA63J-0R0X	MG RESISTOR	0Ω 1/16W J		R1040	NRSA63J-220X	MG RESISTOR	22Ω 1/16W J	
					R1041	NRSA63J-220X	MG RESISTOR	22Ω 1/16W J	

△ Symbol No.	Part No.	Part Name	Description	Local	△ Symbol No.	Part No.	Part Name	Description	Local
R2240	NRSA63J-182X	MG RESISTOR	1.8kΩ 1/16W J		R2528	NRSA63J-101X	MG RESISTOR	100Ω 1/16W J	
R2241	NRSA63J-471X	MG RESISTOR	470Ω 1/16W J		R2529	NRSA63J-101X	MG RESISTOR	100Ω 1/16W J	
R2242	NRSA63J-471X	MG RESISTOR	470Ω 1/16W J		R2532	NRSA63J-101X	MG RESISTOR	100Ω 1/16W J	
R2243	NRSA63J-101X	MG RESISTOR	100Ω 1/16W J		R2533	NRSA63J-101X	MG RESISTOR	100Ω 1/16W J	
R2244	NRSA63J-103X	MG RESISTOR	10kΩ 1/16W J		R2534	NRSA63J-101X	MG RESISTOR	100Ω 1/16W J	
R2245	NRSA63J-103X	MG RESISTOR	10kΩ 1/16W J		R2535	NRSA63J-103X	MG RESISTOR	10kΩ 1/16W J	
R2246	NRSA63J-103X	MG RESISTOR	10kΩ 1/16W J		R2536	NRSA63J-101X	MG RESISTOR	100Ω 1/16W J	
R2247	NRSA63J-103X	MG RESISTOR	10kΩ 1/16W J		R2537	NRSA63J-103X	MG RESISTOR	10kΩ 1/16W J	
R2249	NRSA63J-102X	MG RESISTOR	1kΩ 1/16W J		R2538	NRSA63J-103X	MG RESISTOR	10kΩ 1/16W J	
R2250	NRSA63J-101X	MG RESISTOR	100Ω 1/16W J		R2539	NRSA63J-101X	MG RESISTOR	100Ω 1/16W J	
R2301	NRSA63J-104X	MG RESISTOR	100kΩ 1/16W J		R2540	NRSA63J-101X	MG RESISTOR	100Ω 1/16W J	
R2302	NRSA63J-103X	MG RESISTOR	10kΩ 1/16W J		R2541	NRSA63J-101X	MG RESISTOR	100Ω 1/16W J	
R2303	NRSA63J-103X	MG RESISTOR	10kΩ 1/16W J		R2542	NRSA63J-101X	MG RESISTOR	100Ω 1/16W J	
R2304	NRSA63J-624X	MG RESISTOR	620kΩ 1/16W J		R2543	NRSA63J-103X	MG RESISTOR	10kΩ 1/16W J	
R2305	NRSA63J-103X	MG RESISTOR	10kΩ 1/16W J		R2544	NRSA63J-103X	MG RESISTOR	10kΩ 1/16W J	
R2306	NRSA63J-563X	MG RESISTOR	56kΩ 1/16W J		R2545	NRSA63J-103X	MG RESISTOR	10kΩ 1/16W J	
R2307	NRSA63J-182X	MG RESISTOR	1.8kΩ 1/16W J		R2546	NRSA63J-332X	MG RESISTOR	3.3kΩ 1/16W J	
R2308	NRSA63J-103X	MG RESISTOR	10kΩ 1/16W J		R2547	NRSA63J-332X	MG RESISTOR	3.3kΩ 1/16W J	
R2309	NRSA63J-103X	MG RESISTOR	10kΩ 1/16W J		R2550	NRSA63J-0R0X	MG RESISTOR	0Ω 1/16W J	
R2310	NRSA63J-103X	MG RESISTOR	10kΩ 1/16W J		R2551	NRSA63J-103X	MG RESISTOR	10kΩ 1/16W J	
R2311	NRSA63J-122X	MG RESISTOR	1.2kΩ 1/16W J		R2558	NRSA63J-0R0X	MG RESISTOR	0Ω 1/16W J	
R2312	NRSA63J-104X	MG RESISTOR	100kΩ 1/16W J		R2560	NRSA63J-103X	MG RESISTOR	10kΩ 1/16W J	
R2313	NRSA63J-750X	MG RESISTOR	75Ω 1/16W J		R2561	NRSA63J-103X	MG RESISTOR	10kΩ 1/16W J	
R2314	NRSA63J-750X	MG RESISTOR	75Ω 1/16W J		R2562	NRSA63J-103X	MG RESISTOR	10kΩ 1/16W J	
R2315	NRSA63J-750X	MG RESISTOR	75Ω 1/16W J		R2563	NRSA63J-103X	MG RESISTOR	10kΩ 1/16W J	
R2316	NRSA63J-750X	MG RESISTOR	75Ω 1/16W J		R2564	NRSA63J-103X	MG RESISTOR	10kΩ 1/16W J	
R2317	NRSA63J-750X	MG RESISTOR	75Ω 1/16W J		R2565	NRSA63J-103X	MG RESISTOR	10kΩ 1/16W J	
R2318	NRSA63J-750X	MG RESISTOR	75Ω 1/16W J		R2566	NRSA63J-103X	MG RESISTOR	10kΩ 1/16W J	
R2319	NRSA63J-473X	MG RESISTOR	47kΩ 1/16W J		R2567	NRSA63J-103X	MG RESISTOR	10kΩ 1/16W J	
R2320	NRSA63J-473X	MG RESISTOR	47kΩ 1/16W J		R2568	NRSA63J-0R0X	MG RESISTOR	0Ω 1/16W J	
R2321	NRSA63J-473X	MG RESISTOR	47kΩ 1/16W J		L101	QQR1620-001	CHOKE COIL		
R2322	NRSA63J-103X	MG RESISTOR	10kΩ 1/16W J		L321	NQL085J-220X	COIL	22uH J	
R2323	NRSA63J-0R0X	MG RESISTOR	0Ω 1/16W J		L501	NQL085J-470X	COIL	47uH J	
R2324	NRSA63J-473X	MG RESISTOR	47kΩ 1/16W J		L521	NQL32CM-100X	COIL	10uH M	
R2325	NRSA63J-103X	MG RESISTOR	10kΩ 1/16W J		L522	NQL32CM-2R2X	COIL	2.2uH M	
R2326	NRSA63J-0R0X	MG RESISTOR	0Ω 1/16W J		L551	NQL085J-220X	COIL	22uH J	
R2327	NRSA63J-473X	MG RESISTOR	47kΩ 1/16W J		L561	NQL085J-220X	COIL	22uH J	
R2328	NRSA63J-750X	MG RESISTOR	75Ω 1/16W J		L801	NQL085J-100X	COIL	10uH J	
R2331	NRSA63J-0R0X	MG RESISTOR	0Ω 1/16W J		L901	NQL49CM-220X	COIL	22uH M	
R2401	NRSA63J-271X	MG RESISTOR	270Ω 1/16W J		L902	NQL085J-100X	COIL	10uH J	
R2402	NRSA63J-271X	MG RESISTOR	270Ω 1/16W J		L905	NQL32CM-220X	COIL	22uH M	
R2403	NRSA63J-271X	MG RESISTOR	270Ω 1/16W J		L921	NQL49CM-4R7X	COIL	4.7uH M	
R2405	NRSA63J-271X	MG RESISTOR	270Ω 1/16W J		L922	NQL32CM-100X	COIL	10uH M	
R2406	NRSA63J-271X	MG RESISTOR	270Ω 1/16W J		L941	NQL49CM-4R7X	COIL	4.7uH M	
R2407	NRSA63J-271X	MG RESISTOR	270Ω 1/16W J		L942	NQL32CM-100X	COIL	10uH M	
R2409	NRSA63J-432X	MG RESISTOR	4.3kΩ 1/16W J		L943	NQL49CM-100X	COIL	10uH M	
R2411	NRSA63J-432X	MG RESISTOR	4.3kΩ 1/16W J		L961	NQL32CM-220X	COIL	22uH M	
R2412	NRSA63J-432X	MG RESISTOR	4.3kΩ 1/16W J		L962	NQL32CM-220X	COIL	22uH M	
R2413	NRSA63J-0R0X	MG RESISTOR	0Ω 1/16W J		L1001	NQL044K-100X	COIL	0.26Ω 10uH K	
R2414	NRSA63J-432X	MG RESISTOR	4.3kΩ 1/16W J		L1501	NQL114K-470X	COIL	47uH K	
R2415	NRSA63J-822X	MG RESISTOR	8.2kΩ 1/16W J		L1901	NQL114K-470X	COIL	47uH K	
R2417	NRSA63J-822X	MG RESISTOR	8.2kΩ 1/16W J		L1911	NQL085J-2R2X	COIL	2.2uH J	
R2418	NRSA63J-822X	MG RESISTOR	8.2kΩ 1/16W J		L1912	NQL085J-2R2X	COIL	2.2uH J	
R2420	NRSA63J-822X	MG RESISTOR	8.2kΩ 1/16W J		L2001	NQL012K-101X	COIL	100uH K	
R2421	NRSA63J-471X	MG RESISTOR	470Ω 1/16W J		BZ31	QAN0023-001Z	BUZZER		
R2422	NRSA63J-471X	MG RESISTOR	470Ω 1/16W J		CN1	QGA4201F1-06	CONNECTOR	W-B (1-6)	
R2423	NRSA63J-471X	MG RESISTOR	470Ω 1/16W J		CN39	QGA1002F1-07X	CONNECTOR	W-B (1-7)	
R2424	NRSA63J-471X	MG RESISTOR	470Ω 1/16W J		CN52	QGF0529C1-45W	CONNECTOR	FFC/FPC (1-45)	
R2425	NRSA63J-471X	MG RESISTOR	470Ω 1/16W J		CN71	QGF1034C1-20X	CONNECTOR	FFC/FPC (1-20)	
R2501	NRSA63J-103X	MG RESISTOR	10kΩ 1/16W J		CN75	QGF0534F1-13X	CONNECTOR	FFC/FPC (1-13)	
R2502	NRSA63J-103X	MG RESISTOR	10kΩ 1/16W J		CN101	QGF0529C1-50W	CONNECTOR	FFC/FPC (1-50)	
R2503	NRSA63J-101X	MG RESISTOR	100Ω 1/16W J		CN201	NNZ0109-001	D CONNECTOR		
R2506	NRSA63J-101X	MG RESISTOR	100Ω 1/16W J		CN381	QGF1006F1-20W	CONNECTOR	FFC/FPC (1-20)	
R2508	NRSA63J-101X	MG RESISTOR	100Ω 1/16W J		CN382	QNZ02691-001	D CONNECTOR		
R2509	NRSA63J-103X	MG RESISTOR	10kΩ 1/16W J		CN391	QGF0503C1-24V	CONNECTOR	FFC/FPC (1-24)	
R2510	NRSA63J-103X	MG RESISTOR	10kΩ 1/16W J		CN392	NNZ0112-001	CAR CONNECTOR		
R2511	NRSA63J-103X	MG RESISTOR	10kΩ 1/16W J		F521	NMFZ018-3R0X-E	FUSE	3A	
R2512	NRSA63J-103X	MG RESISTOR	10kΩ 1/16W J		F522	NMFZ018-1R5X-E	FUSE	1.5A	
R2513	NRSA63J-103X	MG RESISTOR	10kΩ 1/16W J		F531	NMFZ018-3R0X-E	FUSE	3A	
R2520	NRSA63J-100X	MG RESISTOR	10Ω 1/16W J		K101	NQR0007-002X	FERRITE BEADS		AV7001E
R2521	NRSA63J-100X	MG RESISTOR	10Ω 1/16W J		K102	NQR0007-002X	FERRITE BEADS		AV7001EU
R2522	NRSA63J-100X	MG RESISTOR	10Ω 1/16W J		K501	NQR0251-004X	FERRITE BEADS		AV7001E
R2523	NRSA63J-681X	MG RESISTOR	680Ω 1/16W J		K502	NQR0251-004X	FERRITE BEADS		AV7001EU
R2524	NRSA63J-0R0X	MG RESISTOR	0Ω 1/16W J		K503	NQR0251-004X	FERRITE BEADS		AV7001EU
R2525	NRSA63J-102X	MG RESISTOR	1kΩ 1/16W J						
R2526	NRSA63J-101X	MG RESISTOR	100Ω 1/16W J						
R2527	NRSA63J-101X	MG RESISTOR	100Ω 1/16W J						

Symbol No.	Part No.	Part Name	Description	Local
K504	NQR0251-004X	FERRITE BEADS		
K901	NQR0325-002X	FERRITE BEADS		AV7000J
K902	NQR0325-002X	FERRITE BEADS		AV7000J
K903	NQR0325-002X	FERRITE BEADS		AV7000J
K904	NQR0325-002X	FERRITE BEADS		AV7000J
K905	NQR0325-002X	FERRITE BEADS		AV7000J
K906	NQR0325-002X	FERRITE BEADS		AV7000J
K907	NQR0325-002X	FERRITE BEADS		AV7000J
K908	NQR0325-002X	FERRITE BEADS		AV7000J
K1002	NQR0007-002X	FERRITE BEADS		
K1003	NQR0007-002X	FERRITE BEADS		
K1004	NQR0007-002X	FERRITE BEADS		
K1005	NQR0007-002X	FERRITE BEADS		
K1006	NQR0007-002X	FERRITE BEADS		
K1007	NQR0007-002X	FERRITE BEADS		AV7001E, AV7001EU, AV7005U, AV7005UN, AV7008A
K1007	NQR0325-002X	FERRITE BEADS		AV7000J
K1008	NQR0007-002X	FERRITE BEADS		AV7001E, AV7001EU, AV7005U, AV7005UN, AV7008A
K1008	NQR0325-002X	FERRITE BEADS		AV7000J
K1201	NQR0007-002X	FERRITE BEADS		AV7001E, AV7001EU, AV7005U, AV7005UN, AV7008A
K1201	NQR0325-002X	FERRITE BEADS		AV7000J
K1321	NQR0251-004X	FERRITE BEADS		
K1401	NQR0251-004X	FERRITE BEADS		
K1402	NQR0251-004X	FERRITE BEADS		
K1601	NQR0251-004X	FERRITE BEADS		
K1911	NQR0201-004X	FERRITE BEADS		
K2001	NQR0007-002X	FERRITE BEADS		AV7001E, AV7001EU, AV7005U, AV7005UN, AV7008A
K2001	NQR0325-002X	FERRITE BEADS		AV7000J
K2052	NQR0325-002X	FERRITE BEADS		AV7000J
K2401	NQR0389-003X	FERRITE BEADS		
K2402	NQR0389-003X	FERRITE BEADS		
K2403	NQR0251-004X	FERRITE BEADS		
K2404	NQR0251-004X	FERRITE BEADS		
K2405	NQR0251-004X	FERRITE BEADS		
K2406	NQR0251-004X	FERRITE BEADS		
K2407	NRSA63J-471X	MG RESISTOR	470Ω 1/16W J	
K2408	NQR0389-003X	FERRITE BEADS		
K2409	NQR0389-003X	FERRITE BEADS		
K2410	NQR0389-003X	FERRITE BEADS		
K2411	NQR0389-003X	FERRITE BEADS		
K2412	NQR0389-003X	FERRITE BEADS		
K2413	NQR0389-003X	FERRITE BEADS		
K2414	NQR0389-003X	FERRITE BEADS		
K2415	NQR0389-003X	FERRITE BEADS		
K2501	NQR0007-002X	FERRITE BEADS		AV7001E, AV7001EU, AV7005U, AV7005UN, AV7008A
K2501	NQR0325-002X	FERRITE BEADS		AV7000J
K2502	NQR0007-002X	FERRITE BEADS		AV7001E, AV7001EU, AV7005U, AV7005UN, AV7008A
K2502	NQR0325-002X	FERRITE BEADS		AV7000J
K2503	NQR0007-002X	FERRITE BEADS		
K2504	NQR0007-002X	FERRITE BEADS		
K2505	NQR0007-002X	FERRITE BEADS		
K2506	NQR0007-002X	FERRITE BEADS		
S3901	NSW0227-001X	DETECT SWITCH		
TH31	NAD0028-103X	N THERMISTOR	10kΩ	
X301	NAX0688-001X	CRYSTAL		
X302	NAX0244-001X	CRYSTAL		
X1001	NAX0348-001X	CRYSTAL		
X2201	NAX0689-001X	CRYSTAL		

Symbol No.	Part No.	Part Name	Description	Local
X2501	NAX0687-001X	CRYSTAL		
Switch board				
Block No. [0][2]				
<hr/>				
Symbol No.	Part No.	Part Name	Description	Local
IC291	NJU6535FH1	IC		
IC293	RPM6938-SV4	IC		
Q2941	2SB709A/R/-X	TRANSISTOR		
Q2942	UN2211-X	TRANSISTOR		
D2941	MA152WK-X	SI DIODE		
D2942	SML-310LT/MN/-X	LED		
D2943	SML-310LT/MN/-X	LED		
D2944	NSCW505CT/BST-X	LED		
C2902	NCB31CK-104X	C CAPACITOR	0.1uF 16V K	
C2903	NBE41CM-106X	TA E CAPACITOR	10uF 16V M	
C2921	NCB31HK-103X	C CAPACITOR	0.01uF 50V K	
C2931	NBE41CM-106X	TA E CAPACITOR	10uF 16V M	
C2961	NCB31HK-103X	C CAPACITOR	0.01uF 50V K	
C2971	NCB31CK-104X	C CAPACITOR	0.1uF 16V K	
C2972	NCB31CK-104X	C CAPACITOR	0.1uF 16V K	
C2973	NCB31CK-104X	C CAPACITOR	0.1uF 16V K	
R2901	NRSA63J-102X	MG RESISTOR	1kΩ 1/16W J	
R2903	NRSA63J-102X	MG RESISTOR	1kΩ 1/16W J	
R2905	NRSA63J-102X	MG RESISTOR	1kΩ 1/16W J	
R2907	NRSA63J-102X	MG RESISTOR	1kΩ 1/16W J	
R2908	NRSA63J-103X	MG RESISTOR	10kΩ 1/16W J	
R2909	NRSA63J-102X	MG RESISTOR	1kΩ 1/16W J	
R2910	NRSA63J-471X	MG RESISTOR	470Ω 1/16W J	
R2911	NRSA63J-471X	MG RESISTOR	470Ω 1/16W J	
R2912	NRSA63J-471X	MG RESISTOR	470Ω 1/16W J	
R2913	NRSA63J-471X	MG RESISTOR	470Ω 1/16W J	
R2914	NRSA63J-471X	MG RESISTOR	470Ω 1/16W J	
R2915	NRSA63J-471X	MG RESISTOR	470Ω 1/16W J	
R2916	NRSA63J-471X	MG RESISTOR	470Ω 1/16W J	
R2917	NRSA63J-471X	MG RESISTOR	470Ω 1/16W J	
R2918	NRSA63J-471X	MG RESISTOR	470Ω 1/16W J	
R2919	NRSA63J-0R0X	MG RESISTOR	0Ω 1/16W J	
R2923	NRSA02J-0R0X	MG RESISTOR	0Ω 1/10W J	
R2931	NRSA63J-470X	MG RESISTOR	47Ω 1/16W J	
R2932	NRSA63J-103X	MG RESISTOR	10kΩ 1/16W J	
R2933	NRSA63J-471X	MG RESISTOR	470Ω 1/16W J	
R2941	NRSA02J-561X	MG RESISTOR	560Ω 1/10W J	
R2942	NRSA02J-561X	MG RESISTOR	560Ω 1/10W J	
R2943	NRS181J-182X	MG RESISTOR	1.8kΩ 1/8W J	
R2944	NRS181J-182X	MG RESISTOR	1.8kΩ 1/8W J	
R2945	NRS181J-122X	MG RESISTOR	1.2kΩ 1/8W J	
R2946	NRS181J-122X	MG RESISTOR	1.2kΩ 1/8W J	
R2947	NRS181J-122X	MG RESISTOR	1.2kΩ 1/8W J	
R2948	NRS181J-122X	MG RESISTOR	1.2kΩ 1/8W J	
R2949	NRS181J-122X	MG RESISTOR	1.2kΩ 1/8W J	
R2950	NRS181J-122X	MG RESISTOR	1.2kΩ 1/8W J	
R2951	NRS181J-122X	MG RESISTOR	1.2kΩ 1/8W J	
R2952	NRS181J-122X	MG RESISTOR	1.2kΩ 1/8W J	
R2953	NRSA02J-121X	MG RESISTOR	120Ω 1/10W J	
R2954	NRSA02J-121X	MG RESISTOR	120Ω 1/10W J	
R2955	NRSA02J-102X	MG RESISTOR	1kΩ 1/10W J	
R2956	NRSA02J-102X	MG RESISTOR	1kΩ 1/10W J	
R2957	NRSA02J-223X	MG RESISTOR	22kΩ 1/10W J	
R2958	NRSA02J-102X	MG RESISTOR	1kΩ 1/10W J	
R2959	NRSA02J-222X	MG RESISTOR	2.2kΩ 1/10W J	
R2961	NRSA63J-471X	MG RESISTOR	470Ω 1/16W J	
R2962	NRSA63J-222X	MG RESISTOR	2.2kΩ 1/16W J	
R2963	NRSA63J-472X	MG RESISTOR	4.7kΩ 1/16W J	
R2964	NRSA63J-103X	MG RESISTOR	10kΩ 1/16W J	
R2971	NRSA63J-102X	MG RESISTOR	1kΩ 1/16W J	
CN291	QGF0501F2-13X	CONNECTOR	FFC/FPC (1-13)	
S2901	NSW0240-001X	TACT SWITCH		

△ Symbol No.	Part No.	Part Name	Description	Local
S2902	NSW0240-001X	TACT SWITCH		
S2903	NSW0240-001X	TACT SWITCH		
S2904	NSW0240-001X	TACT SWITCH		
S2905	NSW0240-001X	TACT SWITCH		
S2961	NSW0220-001X	TACT SW		
S2962	NSW0240-001X	TACT SWITCH		
S2963	NSW0240-001X	TACT SWITCH		
S2964	NSW0240-001X	TACT SWITCH		
S2965	NSW0240-001X	TACT SWITCH		
S2971	NSW0227-001X	DETECT SWITCH		

△ Symbol No.	Part No.	Part Name	Description	Local
D4453	MA8051/M/-X	Z DIODE		
D4471	MA716-X	S.B.DIODE X2		
D4491	MA111-X	SI DIODE		
D4501	MA8051/M/-X	Z DIODE		
D4701	MA8047/M/-X	Z DIODE		
D4702	MA8047/M/-X	Z DIODE		
D4703	BAV99L-X	SI DIODE		
D4704	BAV99L-X	SI DIODE		
D4801	RSX201L-30-X	SB DIODE		
D4802	RSX201L-30-X	SB DIODE		
D4831	RSX201L-30-X	SB DIODE		
D4832	RB521S-30-X	SB DIODE		
D4833	RB521S-30-X	SB DIODE		
D4834	RB521S-30-X	SB DIODE		
D4835	RB521S-30-X	SB DIODE		
D4836	RB521S-30-X	SB DIODE		
D4837	MA8150/M/-X	Z DIODE		
D4838	MA8056/M/-X	Z DIODE		
D4851	MA8110/L/-X	Z DIODE		
D4852	MA8062/M/-X	Z DIODE		
D4901	BAV99L-X	SI DIODE		

Monitor board

Block No. [0][3]

△ Symbol No.	Part No.	Part Name	Description	Local
IC401	UPD780053GC-178	IC(MCU)		
IC402	BD4833FVE-W	IC		
IC403	BR24L01AF-W-X	IC		
IC411	M37540M2-485GP	IC		
IC412	BR24L01AF-W-X	IC		
IC421	IR3T42	IC		
IC427	SN74LVC1G04K-X	IC		
IC431	RB5P006AM	IC		
IC437	SN74LVC2G53T-X	IC		
IC438	SN74LVC2G53T-X	IC		
IC441	LZ9FE30	IC		
IC443	SN74LVC1G04K-X	IC		
IC445	NJM2107F-X	IC		
IC448	SN74LVC2G74U-X	IC		
IC471	OZ9611SN-X	IC		
IC473	NJM78L05UA-X	IC		
IC481	LT1376IS8-X	IC		
IC482	BA3259HFP-W	IC		
IC483	LT1947EMS-X	IC		
IC486	NJM78L05UA-X	IC		
IC487	NJM78L05UA-X	IC		
IC491	TC74HC40103AFXE	IC		
IC492	SN74LV123APW-X	IC		
IC501	NJM2125F-X	IC		
IC502	NJM2125F-X	IC		
Q4101	DTC114EUA-X	DIGI TRANSISTOR		
Q4321	2SA1576A/QR/-X	TRANSISTOR		
Q4322	2SC4097/R/-X	TRANSISTOR		
Q4323	2SC4097/R/-X	TRANSISTOR		
Q4324	2SA1576A/QR/-X	TRANSISTOR		
Q4435	2SC4097/R/-X	TRANSISTOR		
Q4551	2SC4097/R/-X	TRANSISTOR		
Q4701	UPA1890GR-9JG-X	POWER MOS FET		
Q4702	UPA1890GR-9JG-X	POWER MOS FET		
Q4831	2SB1424/QR/-W	TRANSISTOR		
Q4851	2SD1623/ST/-X	2SD1623		
Q4852	DTC114EUA-X	DIGI TRANSISTOR		
Q4853	2SA1576A/QR/-X	TRANSISTOR		
Q4854	DTC114EUA-X	DIGI TRANSISTOR		
Q5101	2SA1576A/QR/-X	TRANSISTOR		
Q5102	DTC114EUA-X	DIGI TRANSISTOR		
D4101	MA111-X	SI DIODE		
D4102	MA111-X	SI DIODE		
D4103	RB521S-30-X	SB DIODE		
D4104	RB521S-30-X	SB DIODE		
D4105	RB521S-30-X	SB DIODE		
D4106	RB521S-30-X	SB DIODE		
D4451	MA111-X	SI DIODE		
D4452	MA357-X	VARI CAP DIODE		

△ Symbol No.	Part No.	Part Name	Description	Local
D5001	AM-30-21-X		PHOTO CONDUCTOR	
D5002	MA8062/M/-X	Z DIODE		
D5101	SML-310VT/JK/-X	LED		AV7005U, AV7005UN
D5101	SML-310LT/MN/-X	LED		AV7000J, AV7001E, AV7001EU, AV7008A
D5102	SML-310VT/JK/-X	LED		AV7005U, AV7005UN
D5102	SML-310LT/MN/-X	LED		AV7000J, AV7001E, AV7001EU, AV7008A
D5103	SML-310VT/JK/-X	LED		AV7005U, AV7005UN
D5103	SML-310LT/MN/-X	LED		AV7000J, AV7001E, AV7001EU, AV7008A
D5104	SML-310VT/JK/-X	LED		AV7005U, AV7005UN
D5104	SML-310LT/MN/-X	LED		AV7000J, AV7001E, AV7001EU, AV7008A
D5105	SML-310VT/JK/-X	LED		AV7005U, AV7005UN
D5105	SML-310LT/MN/-X	LED		AV7000J, AV7001E, AV7001EU, AV7008A
D5106	SML-310VT/JK/-X	LED		AV7005U, AV7005UN
D5106	SML-310LT/MN/-X	LED		AV7000J, AV7001E, AV7001EU, AV7008A
C4001	NCB31CK-104X	C CAPACITOR	0.1uF 16V K	
C4002	NCB31HK-103X	C CAPACITOR	0.01uF 50V K	
C4005	NCB31HK-103X	C CAPACITOR	0.01uF 50V K	
C4006	NCB31HK-103X	C CAPACITOR	0.01uF 50V K	
C4007	NCB31HK-103X	C CAPACITOR	0.01uF 50V K	
C4008	NDC31HJ-101X	C CAPACITOR	100pF 50V J	
C4009	NCB31CK-104X	C CAPACITOR	0.1uF 16V K	
C4010	NCB31CK-104X	C CAPACITOR	0.1uF 16V K	
C4011	NDC31HJ-330X	C CAPACITOR	33pF 50V J	
C4012	NDC31HJ-330X	C CAPACITOR	33pF 50V J	
C4013	NDC31HJ-101X	C CAPACITOR	100pF 50V J	
C4014	NDC31HJ-101X	C CAPACITOR	100pF 50V J	
C4015	NCB31CK-104X	C CAPACITOR	0.1uF 16V K	
C4016	NCB31CK-104X	C CAPACITOR	0.1uF 16V K	
C4021	NCB31HK-103X	C CAPACITOR	0.01uF 50V K	
C4022	NCB31HK-103X	C CAPACITOR	0.01uF 50V K	
C4031	NCB31CK-104X	C CAPACITOR	0.1uF 16V K	
C4032	NDC31HJ-101X	C CAPACITOR	100pF 50V J	
C4041	NCB31CK-104X	C CAPACITOR	0.1uF 16V K	
C4051	NCB31CK-104X	C CAPACITOR	0.1uF 16V K	

△ Symbol No.	Part No.	Part Name	Description	Local	△ Symbol No.	Part No.	Part Name	Description	Local
C4052	NCB31CK-104X	C CAPACITOR	0.1uF 16V K		C4322	NCB31CK-104X	C CAPACITOR	0.1uF 16V K	
C4101	NCB31CK-104X	C CAPACITOR	0.1uF 16V K		C4323	NDC31HJ-101X	C CAPACITOR	100pF 50V J	
C4102	NCB31CK-104X	C CAPACITOR	0.1uF 16V K		C4324	NCJ11EK-106X-A	C CAPACITOR		
C4103	NCB31CK-104X	C CAPACITOR	0.1uF 16V K		C4325	NCB30JK-105X	C CAPACITOR	1uF 6.3V K	
C4104	NCB31CK-104X	C CAPACITOR	0.1uF 16V K		C4326	NCJ11EK-106X-A	C CAPACITOR		
C4105	NCB30JK-105X	C CAPACITOR	1uF 6.3V K		C4327	NCJ11EK-106X-A	C CAPACITOR		
C4106	NCB30JK-105X	C CAPACITOR	1uF 6.3V K						A/7001E, A/7001EU, A/7005U, A/7005J, A/7005UN, A/7008A
C4107	NCB30JK-105X	C CAPACITOR	1uF 6.3V K		C4371	NDC31HJ-470X	C CAPACITOR	47pF 50V J	
C4108	NDC31HJ-101X	C CAPACITOR	100pF 50V J						
C4111	NCB31CK-104X	C CAPACITOR	0.1uF 16V K		C4372	NDC31HJ-360X	C CAPACITOR	36pF 50V J	
C4112	NBE41AM-476X	TA E CAPACITOR	47uF 10V M						A/7005UN, A/7000J, A/7001E, A/7001EU, A/7005U, A/7008A
C4201	NCB31AK-334X	C CAPACITOR	0.33uF 10V K		C4372	NCS31HJ-360X	C CAPACITOR	36pF 50V J	
C4202	NCB31HK-102X	C CAPACITOR	1000pF 50V K						
C4203	NCB31CK-473X	C CAPACITOR	0.047uF 16V K		C4372	NCS31HJ-360X	C CAPACITOR	36pF 50V J	
C4204	NDC31HJ-330X	C CAPACITOR	33pF 50V J						
C4205	NDC31HJ-330X	C CAPACITOR	33pF 50V J		C4375	NCB31CK-104X	C CAPACITOR	0.1uF 16V K	
C4206	NCB31CK-473X	C CAPACITOR	0.047uF 16V K						
C4207	NCB31HK-102X	C CAPACITOR	1000pF 50V K		C4377	NDC31HJ-7R0X	C CAPACITOR	7pF 50V J	
C4208	NCB31AK-334X	C CAPACITOR	0.33uF 10V K						A/7001E, A/7001EU, A/7005U, A/7005J, A/7008A
C4209	NCB31CK-104X	C CAPACITOR	0.1uF 16V K						
C4210	NCB31CK-104X	C CAPACITOR	0.1uF 16V K		C4378	NDC31HJ-9R0X	C CAPACITOR	9pF 50V J	
C4211	NCB30JK-105X	C CAPACITOR	1uF 6.3V K		C4379	NCB31CK-104X	C CAPACITOR	0.1uF 16V K	
C4212	NCB31CK-104X	C CAPACITOR	0.1uF 16V K		C4401	NBE41CM-226X	TA E CAPACITOR	22uF 16V M	
C4213	NCB31CK-104X	C CAPACITOR	0.1uF 16V K		C4402	NCB31CK-104X	C CAPACITOR	0.1uF 16V K	
C4214	NCB30JK-105X	C CAPACITOR	1uF 6.3V K		C4403	NDC31HJ-101X	C CAPACITOR	100pF 50V J	
C4215	NDC31HJ-330X	C CAPACITOR	33pF 50V J		C4404	NCB31CK-104X	C CAPACITOR	0.1uF 16V K	
C4216	NCB31CK-473X	C CAPACITOR	0.047uF 16V K		C4405	NDC31HJ-101X	C CAPACITOR	100pF 50V J	
C4217	NCB31HK-102X	C CAPACITOR	1000pF 50V K		C4406	NCB31CK-104X	C CAPACITOR	0.1uF 16V K	
C4218	NCB31AK-334X	C CAPACITOR	0.33uF 10V K		C4407	NCB31CK-104X	C CAPACITOR	0.1uF 16V K	
C4219	NCB31CK-104X	C CAPACITOR	0.1uF 16V K		C4408	NDC31HJ-330X	C CAPACITOR	33pF 50V J	
C4220	NCB30JK-105X	C CAPACITOR	1uF 6.3V K		C4409	NDC31HJ-101X	C CAPACITOR	100pF 50V J	
C4221	NCB31CK-104X	C CAPACITOR	0.1uF 16V K		C4410	NCB31CK-104X	C CAPACITOR	0.1uF 16V K	
C4222	NCB31CK-104X	C CAPACITOR	0.1uF 16V K		C4411	NCB31CK-104X	C CAPACITOR	0.1uF 16V K	
C4223	NCB30JK-105X	C CAPACITOR	1uF 6.3V K		C4412	NCB31CK-104X	C CAPACITOR	0.1uF 16V K	
C4224	NCB31CK-104X	C CAPACITOR	0.1uF 16V K		C4413	NDC31HJ-101X	C CAPACITOR	100pF 50V J	
C4225	NDC31HG-471X	C CAPACITOR	470pF 50V G		C4414	NCB31CK-104X	C CAPACITOR	0.1uF 16V K	
C4226	NDC31HG-471X	C CAPACITOR	470pF 50V G		C4415	NCB31CK-224X	C CAPACITOR	0.22uF 16V K	
C4227	NDC31HG-471X	C CAPACITOR	470pF 50V G		C4416	NCB31CK-104X	C CAPACITOR	0.1uF 16V K	
C4228	NCB31CK-104X	C CAPACITOR	0.1uF 16V K		C4417	NCB31CK-104X	C CAPACITOR	0.1uF 16V K	
C4229	NCB31CK-104X	C CAPACITOR	0.1uF 16V K		C4418	NCB31CK-104X	C CAPACITOR	0.1uF 16V K	
C4230	NCB30JK-105X	C CAPACITOR	1uF 6.3V K		C4419	NDC31HJ-101X	C CAPACITOR	100pF 50V J	
C4231	NCB30JK-105X	C CAPACITOR	1uF 6.3V K		C4420	NCB31CK-104X	C CAPACITOR	0.1uF 16V K	
C4232	NCB31CK-104X	C CAPACITOR	0.1uF 16V K		C4421	NDC31HJ-820X	C CAPACITOR	82pF 50V J	
C4233	NCB31CK-104X	C CAPACITOR	0.1uF 16V K		C4422	NCB31CK-104X	C CAPACITOR	0.1uF 16V K	
C4234	NCB31AK-334X	C CAPACITOR	0.33uF 10V K		C4423	NCB31CK-104X	C CAPACITOR	0.1uF 16V K	
C4235	NCB31CK-473X	C CAPACITOR	0.047uF 16V K		C4431	NCB31CK-104X	C CAPACITOR	0.1uF 16V K	
C4236	NCB31HK-102X	C CAPACITOR	1000pF 50V K		C4435	NCB31CK-104X	C CAPACITOR	0.1uF 16V K	
C4237	NDC31HJ-330X	C CAPACITOR	33pF 50V J		C4451	NCB31CK-104X	C CAPACITOR	0.1uF 16V K	
C4238	NCB31CK-104X	C CAPACITOR	0.1uF 16V K		C4452	NCB31CK-104X	C CAPACITOR	0.1uF 16V K	
C4239	NCB31CK-104X	C CAPACITOR	0.1uF 16V K		C4453	NCB31HK-561X	C CAPACITOR	560pF 50V K	
C4240	NCB30JK-105X	C CAPACITOR	1uF 6.3V K		C4454	NDC31HJ-101X	C CAPACITOR	100pF 50V J	
C4241	NCB31CK-104X	C CAPACITOR	0.1uF 16V K		C4455	NCB31CK-104X	C CAPACITOR	0.1uF 16V K	
C4242	NCB31CK-104X	C CAPACITOR	0.1uF 16V K		C4456	NCB31CK-104X	C CAPACITOR	0.1uF 16V K	
C4243	NCB30JK-105X	C CAPACITOR	1uF 6.3V K		C4457	NCB31CK-104X	C CAPACITOR	0.1uF 16V K	
C4244	NBE41AM-476X	TA E CAPACITOR	47uF 10V M		C4458	NDC31HJ-101X	C CAPACITOR	100pF 50V J	
C4245	NBE41AM-476X	TA E CAPACITOR	47uF 10V M		C4459	NCB31HK-102X	C CAPACITOR	1000pF 50V K	
C4271	NCB31CK-104X	C CAPACITOR	0.1uF 16V K		C4460	NCB31HK-221X	C CAPACITOR	220pF 50V K	
C4301	NCB31CK-104X	C CAPACITOR	0.1uF 16V K		C4461	NCB31HK-222X	C CAPACITOR	2200pF 50V K	
C4302	NBE41AM-476X	TA E CAPACITOR	47uF 10V M		C4462	NCB31CK-104X	C CAPACITOR	0.1uF 16V K	
C4303	NCB31CK-104X	C CAPACITOR	0.1uF 16V K		C4471	NDC31HJ-330X	C CAPACITOR	33pF 50V J	
C4304	NCJ11EK-106X-A	C CAPACITOR			C4472	NDC31HJ-330X	C CAPACITOR	33pF 50V J	
C4305	NCB30JK-105X	C CAPACITOR	1uF 6.3V K		C4473	NCB31HK-102X	C CAPACITOR	1000pF 50V K	
C4306	NBE41AM-476X	TA E CAPACITOR	47uF 10V M		C4481	NCB31CK-104X	C CAPACITOR	0.1uF 16V K	
C4307	NCB30JK-105X	C CAPACITOR	1uF 6.3V K		C4482	NDC31HJ-221X	C CAPACITOR	220pF 50V J	
C4308	NCB31HK-103X	C CAPACITOR	0.01uF 50V K		C4491	NCB31CK-104X	C CAPACITOR	0.1uF 16V K	
C4309	NCB31HK-103X	C CAPACITOR	0.01uF 50V K		C4492	NCB31CK-104X	C CAPACITOR	0.1uF 16V K	
C4310	NCB30JK-105X	C CAPACITOR	1uF 6.3V K		C4493	NDC31HJ-470X	C CAPACITOR	47pF 50V J	
C4311	NCB31HK-103X	C CAPACITOR	0.01uF 50V K		C4494	NDC31HJ-471X	C CAPACITOR	470pF 50V J	
C4312	NCB31HK-103X	C CAPACITOR	0.01uF 50V K		C4501	NCB31CK-104X	C CAPACITOR	0.1uF 16V K	
C4313	NCB31HK-103X	C CAPACITOR	0.01uF 50V K		C4502	NCB31CK-104X	C CAPACITOR	0.1uF 16V K	
C4314	NCB31CK-104X	C CAPACITOR	0.1uF 16V K		C4503	NBE41CM-226X	TA E CAPACITOR	22uF 16V M	
C4315	NCB31AK-474X	C CAPACITOR	0.47uF 10V K		C4504	NCJ11EK-106X-A	C CAPACITOR		
C4316	NCB31HK-103X	C CAPACITOR	0.01uF 50V K		C4505	NCJ11EK-106X-A	C CAPACITOR		
C4317	NCB30JK-105X	C CAPACITOR	1uF 6.3V K		C4506	NCB31CK-104X	C CAPACITOR	0.1uF 16V K	
C4318	NCB30JK-105X	C CAPACITOR	1uF 6.3V K		C4507	NCB31CK-104X	C CAPACITOR	0.1uF 16V K	
C4319	NCB30JK-105X	C CAPACITOR	1uF 6.3V K		C4508	NCJ11EK-106X-A	C CAPACITOR		
C4320	NCB31CK-104X	C CAPACITOR	0.1uF 16V K		C4509	NCB31CK-104X	C CAPACITOR	0.1uF 16V K	
C4321	NBE41AM-476X	TA E CAPACITOR	47uF 10V M						

△ Symbol No.	Part No.	Part Name	Description	Local	△ Symbol No.	Part No.	Part Name	Description	Local
C4510	NCJ11EK-106X-A	C CAPACITOR			C5303	NCB31CK-104X	C CAPACITOR	0.1uF 16V K	
C4511	NCJ11EK-106X-A	C CAPACITOR			R4001	NRSA63J-471X	MG RESISTOR	470Ω 1/16W J	
C4601	NCJ11EK-106X-A	C CAPACITOR			R4002	NRSA63J-471X	MG RESISTOR	470Ω 1/16W J	
C4602	NCJ11EK-106X-A	C CAPACITOR			R4003	NRSA63J-221X	MG RESISTOR	220Ω 1/16W J	
C4603	NCJ11EK-106X-A	C CAPACITOR			R4004	NRSA63J-221X	MG RESISTOR	220Ω 1/16W J	
C4604	NCJ11EK-106X-A	C CAPACITOR			R4005	NRSA63J-471X	MG RESISTOR	470Ω 1/16W J	
C4701	NCB30JK-105X	C CAPACITOR	1uF 6.3V K		R4006	NRSA63J-103X	MG RESISTOR	10kΩ 1/16W J	
C4702	NCB31AK-474X	C CAPACITOR	0.47uF 10V K		R4008	NRSA63J-221X	MG RESISTOR	220Ω 1/16W J	
C4703	NCB31CK-103X	C CAPACITOR	0.01uF 16V K		R4009	NRSA63J-221X	MG RESISTOR	220Ω 1/16W J	
C4704	NCB31CK-104X	C CAPACITOR	0.1uF 16V K		R4011	NRSA63J-471X	MG RESISTOR	470Ω 1/16W J	
C4705	NDC31HJ-101X	C CAPACITOR	100pF 50V J		R4012	NRSA63J-471X	MG RESISTOR	470Ω 1/16W J	
C4706	NCB31CK-104X	C CAPACITOR	0.1uF 16V K		R4013	NRSA63J-471X	MG RESISTOR	470Ω 1/16W J	
C4707	NCB31HK-153X	C CAPACITOR	0.015uF 50V K		R4014	NRSA63J-103X	MG RESISTOR	10kΩ 1/16W J	
C4708	NCB31CK-104X	C CAPACITOR	0.1uF 16V K		R4016	NRSA63J-471X	MG RESISTOR	470Ω 1/16W J	
C4709	NCB31HK-221X	C CAPACITOR	220pF 50V K		R4017	NRSA63J-471X	MG RESISTOR	470Ω 1/16W J	
C4710	NCB31CK-473X	C CAPACITOR	0.047uF 16V K		R4018	NRSA63J-473X	MG RESISTOR	47kΩ 1/16W J	
C4711	NCB31CK-473X	C CAPACITOR	0.047uF 16V K		R4019	NRSA63J-0R0X	MG RESISTOR	0Ω 1/16W J	
C4713	NCB11CK-225X	C CAPACITOR	2.2uF 16V K		R4020	NRSA63J-103X	MG RESISTOR	10kΩ 1/16W J	
C4715	NCB31CK-104X	C CAPACITOR	0.1uF 16V K		R4021	NRSA63J-103X	MG RESISTOR	10kΩ 1/16W J	
C4716	NCZ1011-100X	C CAPACITOR	10pF		R4022	NRSA63J-103X	MG RESISTOR	10kΩ 1/16W J	
C4717	NCB31EK-153X	C CAPACITOR	0.015uF 25V K		R4023	NRSA63J-103X	MG RESISTOR	10kΩ 1/16W J	
C4718	NCB31HK-102X	C CAPACITOR	1000pF 50V K						
C4721	NQR0450-001X	EMI FILTER	0.022uF 50V M		R4025	NRSA63J-103X	MG RESISTOR	10kΩ 1/16W J	
C4722	NCJ11EK-106X-A	C CAPACITOR							
C4723	NCJ11EK-106X-A	C CAPACITOR			R4026	NRSA63J-103X	MG RESISTOR	10kΩ 1/16W J	
C4724	NCJ11EK-106X-A	C CAPACITOR			R4031	NRSA63J-103X	MG RESISTOR	10kΩ 1/16W J	
C4726	NCJ11EK-106X-A	C CAPACITOR			R4032	NRSA63J-471X	MG RESISTOR	470Ω 1/16W J	
C4727	NCJ11EK-106X-A	C CAPACITOR			R4033	NRSA63J-103X	MG RESISTOR	10kΩ 1/16W J	
C4731	NDC31HJ-101X	C CAPACITOR	100pF 50V J		R4051	NRSA63J-221X	MG RESISTOR	220Ω 1/16W J	
C4732	NDC31HJ-101X	C CAPACITOR	100pF 50V J		R4052	NRSA63J-221X	MG RESISTOR	220Ω 1/16W J	
C4733	NDC31HJ-101X	C CAPACITOR	100pF 50V J		R4101	NRSA63J-103X	MG RESISTOR	10kΩ 1/16W J	
C4734	NDC31HJ-101X	C CAPACITOR	100pF 50V J		R4102	NRSA63J-103X	MG RESISTOR	10kΩ 1/16W J	
C4735	NCJ11EK-106X-A	C CAPACITOR			R4103	NRSA63J-103X	MG RESISTOR	10kΩ 1/16W J	
C4736	NCJ11EK-106X-A	C CAPACITOR			R4104	NRSA63J-103X	MG RESISTOR	10kΩ 1/16W J	
C4801	NQR0450-001X	EMI FILTER	0.022uF 50V M		R4105	NRSA63J-103X	MG RESISTOR	10kΩ 1/16W J	
C4802	NCJ11EK-106X-A	C CAPACITOR			R4106	NRSA63J-103X	MG RESISTOR	10kΩ 1/16W J	
C4803	NCJ11EK-106X-A	C CAPACITOR			R4107	NRSA63J-102X	MG RESISTOR	1kΩ 1/16W J	
C4804	NCJ11EK-106X-A	C CAPACITOR			R4108	NRSA63J-471X	MG RESISTOR	470Ω 1/16W J	
C4805	NCJ11EK-106X-A	C CAPACITOR			R4109	NRSA63J-471X	MG RESISTOR	470Ω 1/16W J	
C4806	NCJ11EK-106X-A	C CAPACITOR			R4110	NRSA63J-471X	MG RESISTOR	470Ω 1/16W J	
C4807	NCB31CK-104X	C CAPACITOR	0.1uF 16V K		R4111	NRSA63J-471X	MG RESISTOR	470Ω 1/16W J	
C4809	NCB31HK-332X	C CAPACITOR	3300pF 50V K		R4112	NRSA63J-103X	MG RESISTOR	10kΩ 1/16W J	
C4810	NBE61CM-107X	TA E CAPACITOR	100uF 16V M		R4113	NRSA63J-471X	MG RESISTOR	470Ω 1/16W J	
C4811	NCB31CK-104X	C CAPACITOR	0.1uF 16V K		R4114	NRSA63J-103X	MG RESISTOR	10kΩ 1/16W J	
C4813	NBE61CM-107X	TA E CAPACITOR	100uF 16V M		R4201	NRSA63D-102X	MG RESISTOR	1kΩ 1/16W D	
C4814	NBE51CM-476X	TA E CAPACITOR	47uF 16V M		R4202	NRSA63J-334X	MG RESISTOR	330kΩ 1/16W J	
C4816	NBE41AM-476X	TA E CAPACITOR	47uF 10V M		R4203	NRSA63D-332X	MG RESISTOR	3.3kΩ 1/16W D	
C4821	NDC31HJ-101X	C CAPACITOR	100pF 50V J		R4204	NRSA63D-392X	MG RESISTOR	3.9kΩ 1/16W D	
C4822	NCB20JM-475X	C CAPACITOR	4.7uF 6.3V M		R4205	NRSA63D-392X	MG RESISTOR	3.9kΩ 1/16W D	
C4823	NCB30JK-105X	C CAPACITOR	1uF 6.3V K		R4206	NRSA63D-332X	MG RESISTOR	3.3kΩ 1/16W D	
C4824	NDC31HJ-101X	C CAPACITOR	100pF 50V J		R4207	NRSA63J-334X	MG RESISTOR	330kΩ 1/16W J	
C4825	NCB30JK-105X	C CAPACITOR	1uF 6.3V K		R4208	NRSA63D-102X	MG RESISTOR	1kΩ 1/16W D	
C4832	NCB11AK-475X	C CAPACITOR	4.7uF 10V K		R4211	NRSA63D-103X	MG RESISTOR	10kΩ 1/16W D	
C4833	NCB11CK-225X	C CAPACITOR	2.2uF 16V K		R4212	NRSA63D-204X	MG RESISTOR	200kΩ 1/16W D	
C4835	NCB11EK-105X	C CAPACITOR	1uF 25V K		R4213	NRSA63J-0R0X	MG RESISTOR	0Ω 1/16W J	
C4836	NCB11EK-105X	C CAPACITOR	1uF 25V K		R4214	NRSA63D-392X	MG RESISTOR	3.9kΩ 1/16W D	
C4837	NCB31HK-222X	C CAPACITOR	2200pF 50V K		R4215	NRSA63D-332X	MG RESISTOR	3.3kΩ 1/16W D	
C4838	NCB21CK-105X	C CAPACITOR	1uF 16V K		R4216	NRSA63J-334X	MG RESISTOR	330kΩ 1/16W J	
C4839	NCB21CK-105X	C CAPACITOR	1uF 16V K		R4217	NRSA63D-102X	MG RESISTOR	1kΩ 1/16W D	
C4840	NCB11EK-105X	C CAPACITOR	1uF 25V K		R4218	NRSA63D-204X	MG RESISTOR	200kΩ 1/16W D	
C4841	NCJ11EK-106X-A	C CAPACITOR			R4219	NRSA63J-0R0X	MG RESISTOR	0Ω 1/16W J	
C4842	NCJ11EK-106X-A	C CAPACITOR			R4220	NRSA63D-103X	MG RESISTOR	10kΩ 1/16W D	
C4843	NCB30JK-105X	C CAPACITOR	1uF 6.3V K		R4223	NRSA63J-101X	MG RESISTOR	100Ω 1/16W J	
C4844	NCB30JK-105X	C CAPACITOR	1uF 6.3V K		R4224	NRSA63D-752X	MG RESISTOR	7.5kΩ 1/16W D	
C4851	NCB31CK-104X	C CAPACITOR	0.1uF 16V K		R4225	NRSA63D-752X	MG RESISTOR	7.5kΩ 1/16W D	
C4852	NCB31CK-104X	C CAPACITOR	0.1uF 16V K		R4226	NRSA63D-473X	MG RESISTOR	47kΩ 1/16W D	
C4861	NCJ11EK-106X-A	C CAPACITOR			R4227	NRSA63D-752X	MG RESISTOR	7.5kΩ 1/16W D	
C4862	NDC31HJ-101X	C CAPACITOR	100pF 50V J		R4228	NRSA63D-752X	MG RESISTOR	7.5kΩ 1/16W D	
C4863	NDC31HJ-101X	C CAPACITOR	100pF 50V J		R4229	NRSA63D-473X	MG RESISTOR	47kΩ 1/16W D	
C4864	NCJ11EK-106X-A	C CAPACITOR			R4230	NRSA63D-752X	MG RESISTOR	7.5kΩ 1/16W D	
C4871	NCB21CK-105X	C CAPACITOR	1uF 16V K		R4231	NRSA63J-511X	MG RESISTOR	510Ω 1/16W J	
C4872	NCB31CK-104X	C CAPACITOR	0.1uF 16V K		R4232	NRSA63D-183X	MG RESISTOR	18kΩ 1/16W D	
C5001	NCB31CK-104X	C CAPACITOR	0.1uF 16V K		R4233	NRSA63D-183X	MG RESISTOR	18kΩ 1/16W D	
C5002	NCB31AK-334X	C CAPACITOR	0.33uF 10V K		R4234	NRSA63D-304X	MG RESISTOR	300kΩ 1/16W D	
C5003	NCB31CK-104X	C CAPACITOR	0.1uF 16V K		R4235	NRSA63D-104X	MG RESISTOR	100kΩ 1/16W D	
C5004	NCB31CK-104X	C CAPACITOR	0.1uF 16V K		R4236	NRSA63D-104X	MG RESISTOR	100kΩ 1/16W D	
C5301	NCB31CK-104X	C CAPACITOR	0.1uF 16V K						
C5302	NCB31CK-104X	C CAPACITOR	0.1uF 16V K						

AV7001E,
AV7001EU,
AV7005U,
AV7005UN,
AV7008A,
AV7000J

△ Symbol No.	Part No.	Part Name	Description	Local	△ Symbol No.	Part No.	Part Name	Description	Local
R4237	NRSA63D-203X	MG RESISTOR	20kΩ 1/16W D		R4457	NRSA63J-683X	MG RESISTOR	68kΩ 1/16W J	
R4238	NRSA63D-753X	MG RESISTOR	75kΩ 1/16W D		R4458	NRSA63J-101X	MG RESISTOR	100Ω 1/16W J	
R4239	NRSA63D-153X	MG RESISTOR	15kΩ 1/16W D		R4459	NRSA63J-272X	MG RESISTOR	2.7kΩ 1/16W J	
R4242	NRSA63D-103X	MG RESISTOR	10kΩ 1/16W D		R4460	NRSA63J-332X	MG RESISTOR	3.3kΩ 1/16W J	
R4243	NRSA63J-0R0X	MG RESISTOR	0Ω 1/16W J		R4461	NRSA63J-331X	MG RESISTOR	330Ω 1/16W J	
R4244	NRSA63D-204X	MG RESISTOR	200kΩ 1/16W D		R4462	NRSA63J-103X	MG RESISTOR	10kΩ 1/16W J	
R4245	NRSA63D-102X	MG RESISTOR	1kΩ 1/16W D		R4463	NRSA63J-182X	MG RESISTOR	1.8kΩ 1/16W J	
R4246	NRSA63J-334X	MG RESISTOR	330kΩ 1/16W J		R4464	NRSA63J-822X	MG RESISTOR	8.2kΩ 1/16W J	
R4247	NRSA63D-332X	MG RESISTOR	3.3kΩ 1/16W D		R4465	NRSA63J-332X	MG RESISTOR	3.3kΩ 1/16W J	
R4248	NRSA63D-392X	MG RESISTOR	3.9kΩ 1/16W D		R4467	NRSA63J-105X	MG RESISTOR	1MΩ 1/16W J	
R4249	NRSA63J-0R0X	MG RESISTOR	0Ω 1/16W J		R4471	NRSA63J-564X	MG RESISTOR	560kΩ 1/16W J	
R4250	NRSA63D-204X	MG RESISTOR	200kΩ 1/16W D		R4472	NRSA63J-391X	MG RESISTOR	390Ω 1/16W J	
R4251	NRSA63D-103X	MG RESISTOR	10kΩ 1/16W D		R4473	NRSA63J-564X	MG RESISTOR	560kΩ 1/16W J	
R4254	NRSA63D-203X	MG RESISTOR	20kΩ 1/16W D		R4481	NRSA63J-470X	MG RESISTOR	47Ω 1/16W J	
R4255	NRSA63D-203X	MG RESISTOR	20kΩ 1/16W D		R4482	NRSA63J-181X	MG RESISTOR	180Ω 1/16W J	
R4256	NRSA63D-203X	MG RESISTOR	20kΩ 1/16W D		R4491	NRSA63J-681X	MG RESISTOR	680Ω 1/16W J	
R4257	NRSA63D-203X	MG RESISTOR	20kΩ 1/16W D		R4492	NRSA63J-102X	MG RESISTOR	1kΩ 1/16W J	
R4261	NRSA63J-100X	MG RESISTOR	10Ω 1/16W J		R4493	NRSA63J-102X	MG RESISTOR	1kΩ 1/16W J	
R4262	NRSA63J-100X	MG RESISTOR	10Ω 1/16W J		R4501	NRSA63J-333X	MG RESISTOR	33kΩ 1/16W J	
R4263	NRSA63J-100X	MG RESISTOR	10Ω 1/16W J		R4502	NRSA63J-223X	MG RESISTOR	22kΩ 1/16W J	
R4264	NRSA63J-100X	MG RESISTOR	10Ω 1/16W J		R4503	NRSA63J-103X	MG RESISTOR	10kΩ 1/16W J	
R4265	NRSA63J-123X	MG RESISTOR	12kΩ 1/16W J		R4504	NRSA63J-473X	MG RESISTOR	47kΩ 1/16W J	
R4266	NRSA63J-123X	MG RESISTOR	12kΩ 1/16W J		R4505	NRSA63J-223X	MG RESISTOR	22kΩ 1/16W J	
R4267	NRSA63J-123X	MG RESISTOR	12kΩ 1/16W J		R4616	NRSA63J-221X	MG RESISTOR	220Ω 1/16W J	
R4268	NRSA63J-123X	MG RESISTOR	12kΩ 1/16W J		R4701	NRSA63J-244X	MG RESISTOR	240kΩ 1/16W J	
R4271	NRSA63J-102X	MG RESISTOR	1kΩ 1/16W J		R4702	NRSA63J-333X	MG RESISTOR	33kΩ 1/16W J	
R4301	NRSA63J-153X	MG RESISTOR	15kΩ 1/16W J		R4703	NRSA63J-563X	MG RESISTOR	56kΩ 1/16W J	
R4302	NRSA63J-105X	MG RESISTOR	1MΩ 1/16W J		R4704	NRSA63J-512X	MG RESISTOR	5.1kΩ 1/16W J	
R4303	NRSA63J-561X	MG RESISTOR	560Ω 1/16W J		R4705	NRSA63J-512X	MG RESISTOR	5.1kΩ 1/16W J	
R4304	NRSA63J-560X	MG RESISTOR	56Ω 1/16W J		R4706	NRSA63J-105X	MG RESISTOR	1MΩ 1/16W J	
R4305	NRSA63J-151X	MG RESISTOR	150Ω 1/16W J		R4707	NRSA63J-513X	MG RESISTOR	51kΩ 1/16W J	
R4306	NRSA63J-683X	MG RESISTOR	68kΩ 1/16W J		R4708	NRSA63J-471X	MG RESISTOR	470Ω 1/16W J	
R4307	NRSA63J-105X	MG RESISTOR	1MΩ 1/16W J		R4711	NRSA63J-470X	MG RESISTOR	47Ω 1/16W J	
R4308	NRSA63J-750X	MG RESISTOR	75Ω 1/16W J		R4712	NRSA63J-470X	MG RESISTOR	47Ω 1/16W J	
R4310	NRSA63J-750X	MG RESISTOR	75Ω 1/16W J		R4713	NRSA63J-470X	MG RESISTOR	47Ω 1/16W J	
R4312	NRSA63J-750X	MG RESISTOR	75Ω 1/16W J		R4714	NRSA63J-470X	MG RESISTOR	47Ω 1/16W J	
R4314	NRSA63J-562X	MG RESISTOR	5.6kΩ 1/16W J		R4801	NRSA63J-512X	MG RESISTOR	5.1kΩ 1/16W J	
R4315	NRSA63J-822X	MG RESISTOR	8.2kΩ 1/16W J		R4802	NRSA63J-472X	MG RESISTOR	4.7kΩ 1/16W J	
R4316	NRSA63J-0R0X	MG RESISTOR	0Ω 1/16W J		R4803	NRSA63J-103X	MG RESISTOR	10kΩ 1/16W J	
R4317	NRSA63J-101X	MG RESISTOR	100Ω 1/16W J		R4821	NRSA63J-562X	MG RESISTOR	5.6kΩ 1/16W J	
R4318	NRSA63J-101X	MG RESISTOR	100Ω 1/16W J		R4822	NRSA63J-432X	MG RESISTOR	4.3kΩ 1/16W J	
R4319	NRSA63J-101X	MG RESISTOR	100Ω 1/16W J		R4831	NRSA63J-473X	MG RESISTOR	47kΩ 1/16W J	
R4322	NRSA63J-103X	MG RESISTOR	10kΩ 1/16W J		R4832	NRSA63J-473X	MG RESISTOR	47kΩ 1/16W J	
R4323	NRSA63J-153X	MG RESISTOR	15kΩ 1/16W J		R4833	NRSA63J-103X	MG RESISTOR	10kΩ 1/16W J	
R4324	NRSA63J-153X	MG RESISTOR	15kΩ 1/16W J		R4834	NRSA63J-154X	MG RESISTOR	150kΩ 1/16W J	
R4325	NRSA63J-100X	MG RESISTOR	10Ω 1/16W J		R4835	NRSA63J-123X	MG RESISTOR	12kΩ 1/16W J	
R4326	NRSA63J-100X	MG RESISTOR	10Ω 1/16W J		R4836	NRSA02J-102X	MG RESISTOR	1kΩ 1/10W J	
				AV7001E, AV7001EU, AV7005U, AV7005UN, AV7008A	R4837	NRSA02J-102X	MG RESISTOR	1kΩ 1/10W J	
R4371	NRSA63J-681X	MG RESISTOR	680Ω 1/16W J		R4851	NRSA63J-102X	MG RESISTOR	1kΩ 1/16W J	
					R4852	NRSA63J-473X	MG RESISTOR	47kΩ 1/16W J	
					R4853	NRSA63J-222X	MG RESISTOR	2.2kΩ 1/16W J	
R4372	NRSA63J-621X	MG RESISTOR	620Ω 1/16W J						AV7001E, AV7001EU, AV7005U, AV7005UN, AV7008A
R4374	NRSA63J-0R0X	MG RESISTOR	0Ω 1/16W J	AV7000J	R4901	NRSA63J-0R0X	MG RESISTOR	0Ω 1/16W J	
R4376	NRSA63J-0R0X	MG RESISTOR	0Ω 1/16W J	AV7000J					
				AV7001E, AV7001EU, AV7005U, AV7005UN, AV7008A	R5001	NRSA63J-185X	MG RESISTOR	1.8MΩ 1/16W J	
R4377	NRSA63J-152X	MG RESISTOR	1.5kΩ 1/16W J		R5002	NRSA63J-101X	MG RESISTOR	100Ω 1/16W J	
					R5003	NRSA63J-473X	MG RESISTOR	47kΩ 1/16W J	
					R5004	NRSA63J-101X	MG RESISTOR	100Ω 1/16W J	
R4401	NRSA63J-102X	MG RESISTOR	1kΩ 1/16W J		R5101	NRSA02J-681X	MG RESISTOR	680Ω 1/10W J	AV7005U, AV7005UN
R4403	NRSA63J-101X	MG RESISTOR	100Ω 1/16W J						
R4407	NRSA63J-101X	MG RESISTOR	100Ω 1/16W J						AV7000J, AV7001E, AV7001EU, AV7008A
R4408	NRSA63J-101X	MG RESISTOR	100Ω 1/16W J		R5101	NRSA02J-182X	MG RESISTOR	1.8kΩ 1/10W J	
R4409	NRSA63J-101X	MG RESISTOR	100Ω 1/16W J						AV7005U, AV7005UN
R4411	NRSA63J-224X	MG RESISTOR	220kΩ 1/16W J						
R4412	NRSA63J-101X	MG RESISTOR	100Ω 1/16W J		R5102	NRSA02J-681X	MG RESISTOR	680Ω 1/10W J	
R4413	NRSA63J-101X	MG RESISTOR	100Ω 1/16W J						
R4431	NRSA63J-221X	MG RESISTOR	220Ω 1/16W J						AV7000J, AV7001E, AV7001EU, AV7008A
R4432	NRSA63J-0R0X	MG RESISTOR	0Ω 1/16W J		R5102	NRSA02J-182X	MG RESISTOR	1.8kΩ 1/10W J	
R4435	NRSA63J-0R0X	MG RESISTOR	0Ω 1/16W J						
R4436	NRSA63J-0R0X	MG RESISTOR	0Ω 1/16W J		R5103	NRSA02J-681X	MG RESISTOR	680Ω 1/10W J	
R4437	NRSA63J-222X	MG RESISTOR	2.2kΩ 1/16W J						AV7005U, AV7005UN
R4451	NRSA63J-683X	MG RESISTOR	68kΩ 1/16W J						
R4452	NRSA63J-105X	MG RESISTOR	1MΩ 1/16W J		R5103	NRSA02J-182X	MG RESISTOR	1.8kΩ 1/10W J	
R4453	NRSA63J-362X	MG RESISTOR	3.6kΩ 1/16W J						AV7000J, AV7001E, AV7001EU, AV7008A
R4454	NRSA63J-243X	MG RESISTOR	24kΩ 1/16W J						
R4455	NRSA63J-473X	MG RESISTOR	47kΩ 1/16W J		R5104	NRSA02J-681X	MG RESISTOR	680Ω 1/10W J	AV7005U, AV7005UN
R4456	NRSA63J-472X	MG RESISTOR	4.7kΩ 1/16W J						

△ Symbol No.	Part No.	Part Name	Description	Local	△ Symbol No.	Part No.	Part Name	Description	Local
R5104	NRSA02J-182X	MG RESISTOR	1.8kΩ 1/10W J	AV7000J, AV7001E, AV7001EU, AV7008A	S5203	NSW0228-001X	TACT SWITCH		
R5105	NRSA02J-681X	MG RESISTOR	680Ω 1/10W J	AV7005U, AV7005UN	S5204	NSW0228-001X	TACT SWITCH		
R5105	NRSA02J-182X	MG RESISTOR	1.8kΩ 1/10W J	AV7000J, AV7001E, AV7001EU, AV7008A	S5205	NSW0228-001X	TACT SWITCH		
R5106	NRSA02J-681X	MG RESISTOR	680Ω 1/10W J	AV7005U, AV7005UN	S5206	NSW0228-001X	TACT SWITCH		
R5106	NRSA02J-182X	MG RESISTOR	1.8kΩ 1/10W J	AV7000J, AV7001E, AV7001EU, AV7008A	TP425	NNZ0009-001X	TEST POINT		
R5107	NRSA63J-473X	MG RESISTOR	47kΩ 1/16W J		TP426	NNZ0009-001X	TEST POINT		
R5108	NRSA63J-222X	MG RESISTOR	2.2kΩ 1/16W J		TP427	NNZ0009-001X	TEST POINT		
R5201	NRSA63J-223X	MG RESISTOR	22kΩ 1/16W J		TP428	NNZ0009-001X	TEST POINT		
R5202	NRSA63J-473X	MG RESISTOR	47kΩ 1/16W J		TP431	NNZ0009-001X	TEST POINT		
R5203	NRSA63J-222X	MG RESISTOR	2.2kΩ 1/16W J		TP433	NNZ0009-001X	TEST POINT		
R5204	NRSA63J-472X	MG RESISTOR	4.7kΩ 1/16W J		TP434	NNZ0009-001X	TEST POINT		
R5205	NRSA63J-103X	MG RESISTOR	10kΩ 1/16W J		TP435	NNZ0009-001X	TEST POINT		
VR423	NVP0021-222X	TRIM RESISTOR	2.2kΩ		TP442	NNZ0009-001X	TEST POINT		
VR425	NVP0021-222X	TRIM RESISTOR	2.2kΩ		X4001	NAX0729-001X	CRYSTAL	6.000MHz	
VR426	NVP0021-222X	TRIM RESISTOR	2.2kΩ		X4101	NAX0522-001X	C RESONATOR		AV7001E, AV7001EU, AV7005U, AV7005UN, AV7008A
VR428	NVP0021-222X	TRIM RESISTOR	2.2kΩ						
VR441	NVP0021-104X	TRIM RESISTOR	100kΩ						
VR451	NVP0021-222X	TRIM RESISTOR	2.2kΩ						
L4001	NQL382M-220X	COIL	22uH M						
L4051	NQL382M-470X	COIL	47uH M						
L4101	NQL382M-470X	COIL	47uH M						
L4201	NQL382M-470X	COIL	47uH M						
L4202	NQL382M-470X	COIL	47uH M						
L4301	NQL085J-100X	COIL	10uH J						
L4302	NQL382M-470X	COIL	47uH M						
L4303	NQL382M-220X	COIL	22uH M						
L4371	NQL085J-270X	COIL	27uH J	AV7001E, AV7001EU, AV7005U, AV7005UN, AV7008A					
L4372	NQL085J-560X	COIL	56uH J						
L4401	NQL382M-470X	COIL	47uH M						
L4451	NQL085J-3R3X	COIL	3.3uH J						
L4471	NQL085J-150X	COIL	15uH J						
L4501	NQL382M-470X	COIL	47uH M						
L4502	NQL382M-101X	COIL	100uH M						
L4503	NQL382M-101X	COIL	100uH M						
L4802	NQL32CM-100X	COIL	10uH M						
L4803	NQL32CM-100X	COIL	10uH M						
L4805	NQL085J-220X	COIL	22uH J						
L4832	NQL32CM-4R7X	COIL	4.7uH M						
L4833	NQL32CM-4R7X	COIL	4.7uH M						
T4701	NQR0511-002	C FL TRANSFER							
CN401	QGA1002F1-07X	CONNECTOR	W-B (1-7)						
CN402	QGF0501F1-08X	CONNECTOR	FFC/FPC (1-8)						
CN421	QGF1039F1-04X	CONNECTOR	FFC/FPC (1-4)						
CN451	QGF0501F4-32X	CONNECTOR	FFC/FPC (1-32)						
CN461	NNZ0111-001X	CAR CONNECTOR							
CN471	QGA3501F1-02X	CONNECTOR	W-B (1-2)						
CN531	QGF0501F1-08X	CONNECTOR	FFC/FPC (1-8)						
F4701	NMFZ018-2R5X-E	FUSE	2.5A						
K4001	NQR0251-004X	FERRITE BEADS							
K4002	NQR0251-004X	FERRITE BEADS							
K4003	NQR0251-004X	FERRITE BEADS							
K4031	NQR0251-004X	FERRITE BEADS							
K4271	NQR0251-004X	FERRITE BEADS							
K4401	NQR0251-004X	FERRITE BEADS							
K4451	NQR0251-004X	FERRITE BEADS							
K4482	NQR0022-005X	FERRITE BEADS							
LC431	NQR0566-001X	FERRITE BEADS							
LC432	NQR0566-001X	FERRITE BEADS							
LC433	NQR0566-001X	FERRITE BEADS							
LC434	NQR0566-001X	FERRITE BEADS							
LC469	NQR0566-001X	FERRITE BEADS							
S5201	NSW0228-001X	TACT SWITCH							
S5202	NSW0228-001X	TACT SWITCH							
Hideaway board									
Block No. [0][4]									
△ Symbol No.	Part No.	Part Name	Description	Local	△ Symbol No.	Part No.	Part Name	Description	Local
△ IC601	HA13164A	IC							
IC602	M62212FP-X	IC							
IC603	NJM4565V-X	IC							
IC621	NJM4565V-X	IC							
IC622	NJM4565V-X	IC							
IC624	NJM4565V-X	IC							
IC626	NJM4565V-X	IC							
IC630	BD3842FS-X	IC							
IC654	SAA6579T-X	IC							AV7001E, AV7001EU
IC701	TC9499N	IC							
IC711	M62449FP-X	IC							
IC721	M62449FP-X	IC							
IC731	M62449FP-X	IC							
IC751	TB2901HQ	IC							
IC754	TDA7396	IC							
IC801	NJM2293M-W	IC							
IC802	MM1510XN-X	IC							
IC805	NJM2293M-W	IC							
IC806	MM1510XN-X	IC							
IC811	LC75344M-X	IC							
IC813	NJM4565V-X	IC							
IC815	LC75344M-X	IC							
IC850	UPD784217AGC318	IC(MCU)							
IC870	BD4833FVE-W	IC							
IC871	SN74AHCT08NS-X	IC							
IC873	BR24L32F-W-X	IC							AV7001E, AV7001EU
IC873	BR24L16F-W-X	IC							AV7000J, AV7005U, AV7005UN, AV7008A
IC875	SN74AHCT126PW-X	IC(DIGITAL)							
Q6001	UN2211-X	TRANSISTOR							
Q6002	2SA2049/QR/-W	TRANSISTOR							
Q6005	UN2111-X	TRANSISTOR							
Q6021	2SD1994A/RS/-T	TRANSISTOR							
Q6022	2SB1197K/QR/-X	TRANSISTOR							
Q6023	2SB1197K/QR/-X	TRANSISTOR							
Q6025	2SB1241/QR/-T	TRANSISTOR							
Q6026	2SD601A/QR/-X	TRANSISTOR							
Q6027	2SD601A/QR/-X	TRANSISTOR							
Q6051	UN2211-X	TRANSISTOR							
Q6052	UN2211-X	TRANSISTOR							AV7001E, AV7001EU, AV7005U, AV7005UN, AV7008A

△ Symbol No.	Part No.	Part Name	Description	Local	△ Symbol No.	Part No.	Part Name	Description	Local
Q6053	UN2211-X	TRANSISTOR			D6501	MA152WA-X	DIODE		AV7001E, AV7001EU
Q6071	2SD1994A/RS/-T	TRANSISTOR			D6502	1SS355-X	SI DIODE		
Q6072	UN2111-X	TRANSISTOR			D6503	1SS355-X	SI DIODE		
Q6073	UN2211-X	TRANSISTOR			D6521	MA152WK-X	SI DIODE		
Q6091	UN2211-X	TRANSISTOR			D7411	MA111-X	SI DIODE		
Q6092	UN2213-X	DIGI TRANSISTOR			D7412	MA111-X	SI DIODE		
Q6501	2SD601A/QR/-X	TRANSISTOR		AV7001E, AV7001EU	D7413	MA111-X	SI DIODE		
Q6502	2SD601A/QR/-X	TRANSISTOR		AV7001E, AV7001EU	D7414	MA111-X	SI DIODE		
Q6503	UN2111-X	TRANSISTOR		AV7001E, AV7001EU	D7511	RB160M-30-X	SB DIODE		
Q6504	UN2211-X	TRANSISTOR		AV7001E, AV7001EU	D7512	RB160M-30-X	SB DIODE		
Q6521	2SB1197K/QR/-X	TRANSISTOR			D7513	RB160M-30-X	SB DIODE		
Q6522	UN2211-X	TRANSISTOR			D7514	RB160M-30-X	SB DIODE		
Q6523	2SB1197K/QR/-X	TRANSISTOR			D7515	RB160M-30-X	SB DIODE		
Q6531	UN2211-X	TRANSISTOR		AV7001E, AV7001EU	D7516	RB160M-30-X	SB DIODE		
Q6551	2SC2412K/RS/-X	TRANSISTOR		AV7001E, AV7001EU	D7517	RB160M-30-X	SB DIODE		
Q6561	2SC2412K/RS/-X	TRANSISTOR		AV7001E, AV7001EU	D7518	RB160M-30-X	SB DIODE		
Q6562	UN2211-X	TRANSISTOR		AV7001E, AV7001EU	D7522	MA111-X	SI DIODE		
Q7411	2SD601A/R/-X	TRANSISTOR			D7523	MA111-X	SI DIODE		
Q7412	2SD601A/R/-X	TRANSISTOR			D7524	MA111-X	SI DIODE		
Q7511	UN2211-X	TRANSISTOR			D7525	MA111-X	SI DIODE		
Q7512	UN2211-X	TRANSISTOR			D7531	RB160M-30-X	SB DIODE		
Q7513	UN2211-X	TRANSISTOR			D7532	RB160M-30-X	SB DIODE		
Q7521	UN2211-X	TRANSISTOR			D7533	RB160M-30-X	SB DIODE		
Q7522	UN2211-X	TRANSISTOR			D7534	RB160M-30-X	SB DIODE		
Q7611	2SD1781K/QR/-X	TRANSISTOR			D7631	MA152WA-X	DIODE		
Q7612	2SD1781K/QR/-X	TRANSISTOR			D7651	MA152WA-X	DIODE		
Q7631	2SD1781K/QR/-X	TRANSISTOR			D7671	MA111-X	SI DIODE		
Q7632	2SD1781K/QR/-X	TRANSISTOR			D7672	MA111-X	SI DIODE		
Q7651	2SD1781K/QR/-X	TRANSISTOR			D7673	MA152WA-X	DIODE		
Q7652	2SD1781K/QR/-X	TRANSISTOR			D7674	MA152WA-X	DIODE		
Q7671	UN2111-X	TRANSISTOR			D7675	MA152WA-X	DIODE		
Q7672	UN2111-X	TRANSISTOR			D7691	MA8110/M/-X	Z DIODE		
Q7673	UN2111-X	TRANSISTOR			D8131	MA152WA-X	DIODE		
Q7674	UN2111-X	TRANSISTOR			D8181	MA152WA-X	DIODE		
Q7675	UN2111-X	TRANSISTOR			D8701	MA111-X	SI DIODE		
Q7681	2SB1197K/QR/-X	TRANSISTOR			D8933	RB160M-30-X	SB DIODE		
Q7682	UN2111-X	TRANSISTOR			C6001	NCB31CK-104X	C CAPACITOR	0.1uF 16V K	
Q7683	UN2211-X	TRANSISTOR			C6002	NCB31HK-103X	C CAPACITOR	0.01uF 50V K	
Q7691	UN2113-X	DIGI TRANSISTOR			C6003	NCB31HK-821X	C CAPACITOR	820pF 50V K	
Q7692	UN2211-X	TRANSISTOR			C6004	NDC31HJ-200X	C CAPACITOR	20pF 50V J	
Q8131	2SD1781K/QR/-X	TRANSISTOR			C6005	NDC31HJ-7R0X	C CAPACITOR	7pF 50V J	
Q8132	2SD1781K/QR/-X	TRANSISTOR			C6011	NCB31HK-103X	C CAPACITOR	0.01uF 50V K	
Q8181	2SD1781K/QR/-X	TRANSISTOR			C6012	NCB31HK-103X	C CAPACITOR	0.01uF 50V K	AV7000J, AV7005J, AV7005UN, AV7008A
Q8182	2SD1781K/QR/-X	TRANSISTOR			C6013	NCB31HK-103X	C CAPACITOR	0.01uF 50V K	
Q8701	UN2111-X	TRANSISTOR			C6014	NCB31HK-103X	C CAPACITOR	0.01uF 50V K	
Q8702	UN2211-X	TRANSISTOR			C6015	NCB31HK-103X	C CAPACITOR	0.01uF 50V K	
D6001	MA114-X	DIODE			C6016	NCB31HK-103X	C CAPACITOR	0.01uF 50V K	
D6003	RB160M-30-X	SB DIODE			C6017	NCB31HK-103X	C CAPACITOR	0.01uF 50V K	
D6004	MA8047/M/-X	Z DIODE			C6018	NCB31HK-103X	C CAPACITOR	0.01uF 50V K	
D6051	MA152WA-X	DIODE		AV7001E, AV7001EU, AV7005J, AV7005UN, AV7008A	C6021	NCB31HK-103X	C CAPACITOR	0.01uF 50V K	
D6052	MA8062/M/-X	Z DIODE			C6022	NCS31HJ-220X	C CAPACITOR	22pF 50V J	
D6053	MA111-X	SI DIODE			C6023	NCS31HJ-100X	C CAPACITOR	10pF 50V J	
D6071	MA8120/M/-X	Z DIODE			C6027	NCB31HK-103X	C CAPACITOR	0.01uF 50V K	
D6081	RB160M-30-X	SB DIODE			C6033	NCB31HK-103X	C CAPACITOR	0.01uF 50V K	
D6082	RB160M-30-X	SB DIODE			C6034	NCB31HK-103X	C CAPACITOR	0.01uF 50V K	
D6083	RB160M-30-X	SB DIODE		AV7000J, AV7005J, AV7005UN, AV7008A	C6035	NCB31CK-104X	C CAPACITOR	0.1uF 16V K	
D6084	RB160M-30-X	SB DIODE		AV7000J, AV7005J, AV7005UN, AV7008A	C6041	NCB31CK-104X	C CAPACITOR	0.1uF 16V K	AV7001E, AV7001EU, AV7005J, AV7005UN, AV7008A
D6091	MA8075/M/-X	Z DIODE			C6051	NCB31CK-104X	C CAPACITOR	0.1uF 16V K	
D6092	MA8180/M/-X	Z DIODE			C6052	NCB31HK-103X	C CAPACITOR	0.01uF 50V K	
D6093	1N5401-F64	DIODE			C6054	NCB31HK-103X	C CAPACITOR	0.01uF 50V K	AV7001E, AV7001EU, AV7005J, AV7005UN, AV7008A
					C6055	NCB31HK-103X	C CAPACITOR	0.01uF 50V K	
					C6071	NCB31HK-103X	C CAPACITOR	0.01uF 50V K	
					C6081	NCB31CK-104X	C CAPACITOR	0.1uF 16V K	AV7000J, AV7005J, AV7005UN, AV7008A
					C6083	NCB31CK-104X	C CAPACITOR	0.1uF 16V K	

△ Symbol No.	Part No.	Part Name	Description	Local	△ Symbol No.	Part No.	Part Name	Description	Local
C6101	QERF1CM-106Z	E CAPACITOR	10uF 16V M						AV7001E, AV7001EU,
C6102	QETN1AM-477Z	E CAPACITOR	470uF 10V M						AV7005U, AV7005UN, AV7008A
C6103	QERF1AM-107Z	E CAPACITOR	100uF 10V M		C6501	NCB31HK-153X	C CAPACITOR	0.015uF 50V K	
C6105	NCB31CK-104X	C CAPACITOR	0.1uF 16V K						
C6111	QERF1EM-226Z	E CAPACITOR	22uF 25V M		C6502	NCB31HK-223X	C CAPACITOR	0.022uF 50V K	AV7000J
				AV7000J, AV7005U, AV7005UN, AV7008A	C6502	NCB31HK-153X	C CAPACITOR	0.015uF 50V K	AV7001E, AV7001EU, AV7005U, AV7005UN, AV7008A
C6112	QERF1EM-226Z	E CAPACITOR	22uF 25V M						
C6113	QERF1CM-106Z	E CAPACITOR	10uF 16V M		C6503	NCB31HK-471X	C CAPACITOR	470pF 50V K	
C6114	QERF1CM-106Z	E CAPACITOR	10uF 16V M		C6504	NCB31HK-471X	C CAPACITOR	470pF 50V K	
C6115	QERF1EM-107Z	E CAPACITOR	100uF 25V M		C6505	NCS31HJ-101X	C CAPACITOR	100pF 50V J	AV7000J
C6116	QERF1CM-106Z	E CAPACITOR	10uF 16V M		C6506	NCS31HJ-101X	C CAPACITOR	100pF 50V J	AV7000J
C6117	QERF1CM-106Z	E CAPACITOR	10uF 16V M		C6507	NCS31HJ-101X	C CAPACITOR	100pF 50V J	AV7000J
C6118	QERF1CM-106Z	E CAPACITOR	10uF 16V M		C6508	NCS31HJ-101X	C CAPACITOR	100pF 50V J	AV7000J
C6119	QERF1AM-107Z	E CAPACITOR	100uF 10V M		C6509	NCS31HJ-101X	C CAPACITOR	100pF 50V J	AV7000J
C6121	QERF1AM-107Z	E CAPACITOR	100uF 10V M		C6543	NCS31HJ-470X	C CAPACITOR	47pF 50V J	AV7001E, AV7001EU
C6122	QERF1CM-106Z	E CAPACITOR	10uF 16V M						
C6123	QERF1EM-475Z	E CAPACITOR	4.7uF 25V M		C6544	NCS31HJ-820X	C CAPACITOR	82pF 50V J	AV7001E, AV7001EU
C6124	QERF1HM-225Z	E CAPACITOR	2.2uF 50V M						
C6127	QERF1CM-106Z	E CAPACITOR	10uF 16V M		C6545	NCB31HK-103X	C CAPACITOR	0.01uF 50V K	AV7001E, AV7001EU
C6133	QERF1AM-107Z	E CAPACITOR	100uF 10V M		C6546	NCB31HK-561X	C CAPACITOR	560pF 50V K	AV7001E, AV7001EU
C6134	QERF1AM-107Z	E CAPACITOR	100uF 10V M						
C6135	QERF1CM-106Z	E CAPACITOR	10uF 16V M		C6547	NCB31EK-223X	C CAPACITOR	0.022uF 25V K	AV7001E, AV7001EU
C6151	QERF1CM-106Z	E CAPACITOR	10uF 16V M		C6548	NCB31HK-103X	C CAPACITOR	0.01uF 50V K	AV7001E, AV7001EU
C6171	QERF1CM-106Z	E CAPACITOR	10uF 16V M						
C6172	QERF1CM-106Z	E CAPACITOR	10uF 16V M		C6549	NCB31CK-104X	C CAPACITOR	0.1uF 16V K	AV7001E, AV7001EU
C6191	QEZ0698-338	E CAPACITOR	3300uF		C6551	NCB31CK-104X	C CAPACITOR	0.1uF 16V K	AV7001E, AV7001EU
C6211	NCS31HJ-220X	C CAPACITOR	22pF 50V J		C6552	NCB31HK-472X	C CAPACITOR	4700pF 50V K	AV7001E, AV7001EU
C6212	NCS31HJ-220X	C CAPACITOR	22pF 50V J						
C6215	NCB31CK-104X	C CAPACITOR	0.1uF 16V K		C6556	NCB31HK-103X	C CAPACITOR	0.01uF 50V K	AV7001E, AV7001EU
C6221	NCS31HJ-470X	C CAPACITOR	47pF 50V J						
C6222	NCS31HJ-470X	C CAPACITOR	47pF 50V J		C6566	NCB31HK-331X	C CAPACITOR	330pF 50V K	AV7001E, AV7001EU
C6223	NCS31HJ-470X	C CAPACITOR	47pF 50V J						
C6224	NCS31HJ-470X	C CAPACITOR	47pF 50V J						
C6225	NCB31CK-104X	C CAPACITOR	0.1uF 16V K		C6566	NCB31HK-103X	C CAPACITOR	0.01uF 50V K	AV7001E, AV7001EU
C6241	NCS31HJ-470X	C CAPACITOR	47pF 50V J						
C6242	NCS31HJ-470X	C CAPACITOR	47pF 50V J						
C6243	NCS31HJ-470X	C CAPACITOR	47pF 50V J		C6566	NCB31HK-103X	C CAPACITOR	0.01uF 50V K	AV7000J,A V7005U,A V7008A
C6244	NCS31HJ-470X	C CAPACITOR	47pF 50V J						
C6245	NCB31CK-104X	C CAPACITOR	0.1uF 16V K		C6567	NCB31CK-104X	C CAPACITOR	0.1uF 16V K	AV7001E, AV7001EU
C6261	NCS31HJ-470X	C CAPACITOR	47pF 50V J						
C6262	NCS31HJ-470X	C CAPACITOR	47pF 50V J		C6571	NCB31CK-473X	C CAPACITOR	0.047uF 16V K	
C6263	NCS31HJ-470X	C CAPACITOR	47pF 50V J		C6572	NCB31HK-103X	C CAPACITOR	0.01uF 50V K	
C6264	NCS31HJ-470X	C CAPACITOR	47pF 50V J		C6574	NCB31CK-473X	C CAPACITOR	0.047uF 16V K	
C6265	NCB31CK-104X	C CAPACITOR	0.1uF 16V K		C6576	NCB31CK-473X	C CAPACITOR	0.047uF 16V K	
C6301	NCB31CK-104X	C CAPACITOR	0.1uF 16V K		C6601	QERF1EM-475Z	E CAPACITOR	4.7uF 25V M	
C6302	NCB31CK-104X	C CAPACITOR	0.1uF 16V K		C6602	QERF1EM-475Z	E CAPACITOR	4.7uF 25V M	
C6331	NCS31HJ-101X	C CAPACITOR	100pF 50V J		C6631	QERF1HM-104Z	E CAPACITOR	0.1uF 50V M	
C6332	NCS31HJ-101X	C CAPACITOR	100pF 50V J						
C6333	NCS31HJ-101X	C CAPACITOR	100pF 50V J		C6641	QERF1AM-107Z	E CAPACITOR	100uF 10V M	AV7001E, AV7001EU
C6341	NCS31HJ-101X	C CAPACITOR	100pF 50V J						
C6342	NCS31HJ-101X	C CAPACITOR	100pF 50V J		C6642	QERF1EM-475Z	E CAPACITOR	4.7uF 25V M	AV7001E, AV7001EU
C6343	NCS31HJ-101X	C CAPACITOR	100pF 50V J						
C6351	QERF1AM-107Z	E CAPACITOR	100uF 10V M						
C6352	QERF1AM-107Z	E CAPACITOR	100uF 10V M		C6651	QERF1HM-474Z	E CAPACITOR	0.47uF 50V M	AV7001E, AV7001EU
C6411	QERF1EM-475Z	E CAPACITOR	4.7uF 25V M						
C6412	QERF1EM-475Z	E CAPACITOR	4.7uF 25V M		C6672	QERF1AM-107Z	E CAPACITOR	100uF 10V M	
C6421	QERF1EM-475Z	E CAPACITOR	4.7uF 25V M		C6673	QERF1AM-107Z	E CAPACITOR	100uF 10V M	
C6422	QERF1EM-475Z	E CAPACITOR	4.7uF 25V M		C6674	QERF1AM-107Z	E CAPACITOR	100uF 10V M	
C6423	QERF1EM-475Z	E CAPACITOR	4.7uF 25V M		C6675	QERF1AM-107Z	E CAPACITOR	100uF 10V M	
C6424	QERF1EM-475Z	E CAPACITOR	4.7uF 25V M		C6676	QERF1AM-107Z	E CAPACITOR	100uF 10V M	
C6441	QERF1EM-475Z	E CAPACITOR	4.7uF 25V M		C7001	NCB31HK-103X	C CAPACITOR	0.01uF 50V K	
C6442	QERF1EM-475Z	E CAPACITOR	4.7uF 25V M		C7002	NCB31HK-103X	C CAPACITOR	0.01uF 50V K	
C6443	QERF1EM-475Z	E CAPACITOR	4.7uF 25V M		C7051	QERF1AM-107Z	E CAPACITOR	100uF 10V M	
C6444	QERF1EM-475Z	E CAPACITOR	4.7uF 25V M		C7052	QERF1AM-107Z	E CAPACITOR	100uF 10V M	
C6461	QERF1EM-475Z	E CAPACITOR	4.7uF 25V M		C7061	QERF1EM-475Z	E CAPACITOR	4.7uF 25V M	
C6462	QERF1EM-475Z	E CAPACITOR	4.7uF 25V M		C7062	QERF1EM-475Z	E CAPACITOR	4.7uF 25V M	
C6463	QERF1EM-475Z	E CAPACITOR	4.7uF 25V M		C7063	QERF1EM-475Z	E CAPACITOR	4.7uF 25V M	
C6464	QERF1EM-475Z	E CAPACITOR	4.7uF 25V M		C7064	QERF1EM-475Z	E CAPACITOR	4.7uF 25V M	
C6481	QERF1EM-475Z	E CAPACITOR	4.7uF 25V M		C7065	QERF1EM-475Z	E CAPACITOR	4.7uF 25V M	
C6482	QERF1EM-475Z	E CAPACITOR	4.7uF 25V M		C7066	QERF1EM-475Z	E CAPACITOR	4.7uF 25V M	
C6491	QERF1EM-475Z	E CAPACITOR	4.7uF 25V M		C7081	QERF1EM-475Z	E CAPACITOR	4.7uF 25V M	
C6492	QERF1EM-475Z	E CAPACITOR	4.7uF 25V M		C7082	QERF1EM-475Z	E CAPACITOR	4.7uF 25V M	
C6501	NCB31HK-223X	C CAPACITOR	0.022uF 50V K	AV7000J	C7083	QERF1EM-475Z	E CAPACITOR	4.7uF 25V M	
					C7084	QERF1EM-475Z	E CAPACITOR	4.7uF 25V M	
					C7085	QERF1EM-475Z	E CAPACITOR	4.7uF 25V M	
					C7101	NCB31CK-104X	C CAPACITOR	0.1uF 16V K	
					C7102	NCB31CK-104X	C CAPACITOR	0.1uF 16V K	

△ Symbol No.	Part No.	Part Name	Description	Local	△ Symbol No.	Part No.	Part Name	Description	Local
C7103	NCB31CK-104X	C CAPACITOR	0.1uF 16V K		C7533	QFV61HJ-474Z	MF CAPACITOR	0.47uF 50V J	
C7111	NCB31CK-683X	C CAPACITOR	0.068uF 16V K		C7534	QFV61HJ-474Z	MF CAPACITOR	0.47uF 50V J	
C7113	NCB31AK-334X	C CAPACITOR	0.33uF 10V K		C7543	NCB31CK-104X	C CAPACITOR	0.1uF 16V K	
C7115	NCB31CK-223X	C CAPACITOR	0.022uF 16V K		C7544	NCB31CK-104X	C CAPACITOR	0.1uF 16V K	
C7117	NCB31CK-104X	C CAPACITOR	0.1uF 16V K		C7611	NCS31HJ-101X	C CAPACITOR	100pF 50V J	
C7119	NCB31HK-562X	C CAPACITOR	5600pF 50V K		C7612	NCS31HJ-101X	C CAPACITOR	100pF 50V J	
C7121	NCB31HK-333X	C CAPACITOR	0.033uF 50V K		C7631	NCS31HJ-101X	C CAPACITOR	100pF 50V J	
C7123	NCB31HK-222X	C CAPACITOR	2200pF 50V K		C7632	NCS31HJ-101X	C CAPACITOR	100pF 50V J	
C7125	NCB31HK-103X	C CAPACITOR	0.01uF 50V K		C7651	NCS31HJ-101X	C CAPACITOR	100pF 50V J	
C7127	NCB31HK-681X	C CAPACITOR	680pF 50V K		C7652	NCS31HJ-101X	C CAPACITOR	100pF 50V J	
C7129	NCB31HK-272X	C CAPACITOR	2700pF 50V K		C7721	QERF1CM-476Z	E CAPACITOR	47uF 16V M	
C7141	NCB31CK-104X	C CAPACITOR	0.1uF 16V K		C7722	QERF1HM-225Z	E CAPACITOR	2.2uF 50V M	
C7151	QERF1AM-107Z	E CAPACITOR	100uF 10V M		C7723	QERF1CM-226Z	E CAPACITOR	22uF 16V M	
C7152	QERF1AM-107Z	E CAPACITOR	100uF 10V M		C7724	QERF1HM-225Z	E CAPACITOR	2.2uF 50V M	
C7201	NCB31CK-104X	C CAPACITOR	0.1uF 16V K		C7744	QERF1EM-107Z	E CAPACITOR	100uF 25V M	
C7202	NCB31CK-104X	C CAPACITOR	0.1uF 16V K		C7745	QERF1HM-334Z	E CAPACITOR	0.33uF 50V M	
C7203	NCB31CK-104X	C CAPACITOR	0.1uF 16V K		C7811	QERF1EM-475Z	E CAPACITOR	4.7uF 25V M	
C7211	NCB31CK-683X	C CAPACITOR	0.068uF 16V K		C7812	QERF1EM-475Z	E CAPACITOR	4.7uF 25V M	
C7212	NCB31CK-683X	C CAPACITOR	0.068uF 16V K		C7831	QERF1EM-475Z	E CAPACITOR	4.7uF 25V M	
C7213	NCB31AK-334X	C CAPACITOR	0.33uF 10V K		C7832	QERF1EM-475Z	E CAPACITOR	4.7uF 25V M	
C7214	NCB31AK-334X	C CAPACITOR	0.33uF 10V K		C7851	QERF1EM-475Z	E CAPACITOR	4.7uF 25V M	
C7215	NCB31CK-223X	C CAPACITOR	0.022uF 16V K		C7852	QERF1EM-475Z	E CAPACITOR	4.7uF 25V M	
C7216	NCB31CK-223X	C CAPACITOR	0.022uF 16V K		C7871	QERF1AM-107Z	E CAPACITOR	100uF 10V M	
C7217	NCB31CK-104X	C CAPACITOR	0.1uF 16V K		C7891	QERF1CM-226Z	E CAPACITOR	22uF 16V M	
C7218	NCB31CK-104X	C CAPACITOR	0.1uF 16V K		C8011	QCZ0202-155Z	C CAPACITOR	1.5uF 25V Z	
C7219	NCB31HK-562X	C CAPACITOR	5600pF 50V K		C8021	NCB31HK-103X	C CAPACITOR	0.01uF 50V K	
C7220	NCB31HK-562X	C CAPACITOR	5600pF 50V K		C8022	NCB31CK-104X	C CAPACITOR	0.1uF 16V K	
C7221	NCB31HK-333X	C CAPACITOR	0.033uF 50V K		C8051	NCB31CK-104X	C CAPACITOR	0.1uF 16V K	
C7222	NCB31HK-333X	C CAPACITOR	0.033uF 50V K		C8061	QCZ0202-155Z	C CAPACITOR	1.5uF 25V Z	
C7223	NCB31HK-222X	C CAPACITOR	2200pF 50V K		C8071	NCB31HK-103X	C CAPACITOR	0.01uF 50V K	
C7224	NCB31HK-222X	C CAPACITOR	2200pF 50V K		C8072	NCB31CK-104X	C CAPACITOR	0.1uF 16V K	
C7225	NCB31HK-103X	C CAPACITOR	0.01uF 50V K		C8101	NCB31HK-103X	C CAPACITOR	0.01uF 50V K	
C7226	NCB31HK-103X	C CAPACITOR	0.01uF 50V K		C8102	NCB31HK-103X	C CAPACITOR	0.01uF 50V K	
C7227	NCB31HK-681X	C CAPACITOR	680pF 50V K		C8111	NCS31HJ-220X	C CAPACITOR	22pF 50V J	
C7228	NCB31HK-681X	C CAPACITOR	680pF 50V K		C8112	NCS31HJ-220X	C CAPACITOR	22pF 50V J	
C7229	NCB31HK-272X	C CAPACITOR	2700pF 50V K		C8131	NCS31HJ-101X	C CAPACITOR	100pF 50V J	
C7230	NCB31HK-272X	C CAPACITOR	2700pF 50V K		C8132	NCS31HJ-101X	C CAPACITOR	100pF 50V J	
C7301	NCB31CK-104X	C CAPACITOR	0.1uF 16V K		C8151	NCB31HK-103X	C CAPACITOR	0.01uF 50V K	
C7302	NCB31CK-104X	C CAPACITOR	0.1uF 16V K		C8201	QERF1CM-106Z	E CAPACITOR	10uF 16V M	
C7303	NCB31CK-104X	C CAPACITOR	0.1uF 16V K		C8202	QERF1CM-106Z	E CAPACITOR	10uF 16V M	
C7311	NCB31CK-683X	C CAPACITOR	0.068uF 16V K		C8203	QERF1CM-106Z	E CAPACITOR	10uF 16V M	
C7312	NCB31CK-683X	C CAPACITOR	0.068uF 16V K		C8204	QERF1CM-106Z	E CAPACITOR	10uF 16V M	
C7313	NCB31AK-334X	C CAPACITOR	0.33uF 10V K		C8211	QERF0JM-337Z	E CAPACITOR	330uF 6.3V M	
C7314	NCB31AK-334X	C CAPACITOR	0.33uF 10V K		C8221	QERF1AM-227Z	E CAPACITOR	220uF 10V M	
C7315	NCB31CK-223X	C CAPACITOR	0.022uF 16V K		C8251	QERF1CM-106Z	E CAPACITOR	10uF 16V M	
C7316	NCB31CK-223X	C CAPACITOR	0.022uF 16V K		C8252	QERF1CM-106Z	E CAPACITOR	10uF 16V M	
C7317	NCB31CK-104X	C CAPACITOR	0.1uF 16V K		C8253	QERF1CM-106Z	E CAPACITOR	10uF 16V M	
C7318	NCB31CK-104X	C CAPACITOR	0.1uF 16V K		C8261	QERF0JM-337Z	E CAPACITOR	330uF 6.3V M	
C7319	NCB31HK-562X	C CAPACITOR	5600pF 50V K		C8271	QERF1AM-227Z	E CAPACITOR	220uF 10V M	
C7320	NCB31HK-562X	C CAPACITOR	5600pF 50V K		C8301	QERF1AM-107Z	E CAPACITOR	100uF 10V M	
C7321	NCB31HK-333X	C CAPACITOR	0.033uF 50V K		C8302	QERF1CM-106Z	E CAPACITOR	10uF 16V M	
C7322	NCB31HK-333X	C CAPACITOR	0.033uF 50V K		C8303	QERF1AM-107Z	E CAPACITOR	100uF 10V M	
C7323	NCB31HK-222X	C CAPACITOR	2200pF 50V K		C8311	QERF1EM-475Z	E CAPACITOR	4.7uF 25V M	
C7324	NCB31HK-222X	C CAPACITOR	2200pF 50V K		C8312	QERF1EM-475Z	E CAPACITOR	4.7uF 25V M	
C7325	NCB31HK-103X	C CAPACITOR	0.01uF 50V K		C8313	QERF1EM-475Z	E CAPACITOR	4.7uF 25V M	
C7326	NCB31HK-103X	C CAPACITOR	0.01uF 50V K		C8314	QERF1EM-475Z	E CAPACITOR	4.7uF 25V M	
C7327	NCB31HK-681X	C CAPACITOR	680pF 50V K		C8315	QERF1EM-475Z	E CAPACITOR	4.7uF 25V M	
C7328	NCB31HK-681X	C CAPACITOR	680pF 50V K		C8316	QERF1EM-475Z	E CAPACITOR	4.7uF 25V M	
C7329	NCB31HK-272X	C CAPACITOR	2700pF 50V K		C8351	QERF1AM-107Z	E CAPACITOR	100uF 10V M	
C7330	NCB31HK-272X	C CAPACITOR	2700pF 50V K		C8353	QERF1AM-107Z	E CAPACITOR	100uF 10V M	
C7411	NCB31HK-103X	C CAPACITOR	0.01uF 50V K		C8361	QERF1EM-475Z	E CAPACITOR	4.7uF 25V M	
C7412	NCB31HK-103X	C CAPACITOR	0.01uF 50V K		C8362	QERF1EM-475Z	E CAPACITOR	4.7uF 25V M	
C7413	NCB31CK-224X	C CAPACITOR	0.22uF 16V K		C8363	QERF1EM-475Z	E CAPACITOR	4.7uF 25V M	
C7414	NCB31CK-224X	C CAPACITOR	0.22uF 16V K		C8364	QERF1EM-475Z	E CAPACITOR	4.7uF 25V M	
C7451	NCB31CK-104X	C CAPACITOR	0.1uF 16V K		C8509	NCB31HK-103X	C CAPACITOR	0.01uF 50V K	
C7452	NCB31CK-104X	C CAPACITOR	0.1uF 16V K		C8510	NCS31HJ-8R0X	C CAPACITOR	8pF 50V J	
C7453	QERF1CM-226Z	E CAPACITOR	22uF 16V M		C8511	NCS31HJ-270X	C CAPACITOR	27pF 50V J	
C7454	QERF1CM-226Z	E CAPACITOR	22uF 16V M		C8581	NCB31HK-103X	C CAPACITOR	0.01uF 50V K	
C7501	NCS31HJ-101X	C CAPACITOR	100pF 50V J		C8594	NCB31HK-102X	C CAPACITOR	1000pF 50V K	
C7502	NCS31HJ-101X	C CAPACITOR	100pF 50V J		C8609	QERF1AM-107Z	E CAPACITOR	100uF 10V M	
C7503	NCS31HJ-101X	C CAPACITOR	100pF 50V J		C8681	QERF1AM-107Z	E CAPACITOR	100uF 10V M	
C7504	NCS31HJ-101X	C CAPACITOR	100pF 50V J		C8701	NCB31CK-104X	C CAPACITOR	0.1uF 16V K	
C7505	QFV61HJ-474Z	MF CAPACITOR	0.47uF 50V J		C8711	NCB31CK-104X	C CAPACITOR	0.1uF 16V K	
C7506	QFV61HJ-474Z	MF CAPACITOR	0.47uF 50V J		C8731	NCB31CK-104X	C CAPACITOR	0.1uF 16V K	
C7507	QFV61HJ-474Z	MF CAPACITOR	0.47uF 50V J		C8751	NCB31CK-473X	C CAPACITOR	0.047uF 16V K	
C7508	QFV61HJ-474Z	MF CAPACITOR	0.47uF 50V J		C8801	QERF0JM-476Z	E CAPACITOR	47uF 6.3V M	
C7525	NCB31CK-104X	C CAPACITOR	0.1uF 16V K		C8901	NCS31HJ-101X	C CAPACITOR	100pF 50V J	
C7526	NCB31CK-104X	C CAPACITOR	0.1uF 16V K		C8902	NCS31HJ-101X	C CAPACITOR	100pF 50V J	

△ Symbol No.	Part No.	Part Name	Description	Local	△ Symbol No.	Part No.	Part Name	Description	Local
C8906	NCS31HJ-101X	C CAPACITOR	100pF 50V J		R6211	NRSA63J-104X	MG RESISTOR	100kΩ 1/16W J	
C8909	NCS31HJ-101X	C CAPACITOR	100pF 50V J		R6212	NRSA63J-104X	MG RESISTOR	100kΩ 1/16W J	
C8910	NCS31HJ-101X	C CAPACITOR	100pF 50V J		R6213	NRSA63J-273X	MG RESISTOR	27kΩ 1/16W J	AV7000J
C8914	NCS31HJ-101X	C CAPACITOR	100pF 50V J						AV7001E, AV7001EU, AV7005J, AV7005UN, AV7008A
C8915	NCS31HJ-101X	C CAPACITOR	100pF 50V J		R6213	NRSA63J-153X	MG RESISTOR	15kΩ 1/16W J	
C8916	NCS31HJ-101X	C CAPACITOR	100pF 50V J						
C8934	NCS31HJ-101X	C CAPACITOR	100pF 50V J		R6214	NRSA63J-273X	MG RESISTOR	27kΩ 1/16W J	AV7000J
C8935	NCS31HJ-101X	C CAPACITOR	100pF 50V J						AV7001E, AV7001EU, AV7005J, AV7005UN, AV7008A
C8936	NCS31HJ-101X	C CAPACITOR	100pF 50V J		R6214	NRSA63J-273X	MG RESISTOR	27kΩ 1/16W J	
C8949	NCS31HJ-101X	C CAPACITOR	100pF 50V J						
C8950	NCS31HJ-101X	C CAPACITOR	100pF 50V J		R6214	NRSA63J-153X	MG RESISTOR	15kΩ 1/16W J	
C8952	NCS31HJ-101X	C CAPACITOR	100pF 50V J						
R6001	NRSA63J-222X	MG RESISTOR	2.2kΩ 1/16W J		R6215	NRSA63J-223X	MG RESISTOR	22kΩ 1/16W J	
R6002	NRSA63J-0R0X	MG RESISTOR	0Ω 1/16W J		R6216	NRSA63J-223X	MG RESISTOR	22kΩ 1/16W J	
R6003	NRSA63J-912X	MG RESISTOR	9.1kΩ 1/16W J		R6217	NRSA63J-0R0X	MG RESISTOR	0Ω 1/16W J	
R6004	NRSA63J-152X	MG RESISTOR	1.5kΩ 1/16W J		R6218	NRSA63J-0R0X	MG RESISTOR	0Ω 1/16W J	
R6005	NRSA63J-823X	MG RESISTOR	82kΩ 1/16W J		R6221	NRSA63J-223X	MG RESISTOR	22kΩ 1/16W J	
R6006	NRSA63J-473X	MG RESISTOR	47kΩ 1/16W J		R6222	NRSA63J-223X	MG RESISTOR	22kΩ 1/16W J	
R6007	NRSA63J-103X	MG RESISTOR	10kΩ 1/16W J		R6223	NRSA63J-223X	MG RESISTOR	22kΩ 1/16W J	
R6008	NRSA63J-0R0X	MG RESISTOR	0Ω 1/16W J		R6224	NRSA63J-223X	MG RESISTOR	22kΩ 1/16W J	
R6011	NRSA63J-473X	MG RESISTOR	47kΩ 1/16W J		R6225	NRSA63J-223X	MG RESISTOR	22kΩ 1/16W J	
R6012	NRSA63J-472X	MG RESISTOR	4.7kΩ 1/16W J		R6226	NRSA63J-223X	MG RESISTOR	22kΩ 1/16W J	
R6014	NRSA63J-0R0X	MG RESISTOR	0Ω 1/16W J		R6227	NRSA63J-223X	MG RESISTOR	22kΩ 1/16W J	
R6017	NRSA63J-0R0X	MG RESISTOR	0Ω 1/16W J		R6228	NRSA63J-223X	MG RESISTOR	22kΩ 1/16W J	
R6021	NRSA63J-272X	MG RESISTOR	2.7kΩ 1/16W J		R6231	NRSA63J-104X	MG RESISTOR	100kΩ 1/16W J	
R6022	NRSA63J-470X	MG RESISTOR	47Ω 1/16W J		R6232	NRSA63J-104X	MG RESISTOR	100kΩ 1/16W J	
R6023	NRSA63J-681X	MG RESISTOR	680Ω 1/16W J		R6233	NRSA63J-104X	MG RESISTOR	100kΩ 1/16W J	
R6024	NRSA63J-333X	MG RESISTOR	33kΩ 1/16W J		R6234	NRSA63J-104X	MG RESISTOR	100kΩ 1/16W J	
R6025	NRSA63J-104X	MG RESISTOR	100kΩ 1/16W J		R6237	NRSA63J-0R0X	MG RESISTOR	0Ω 1/16W J	
R6026	NRSA63J-470X	MG RESISTOR	47Ω 1/16W J		R6241	NRSA63J-303X	MG RESISTOR	30kΩ 1/16W J	
R6027	NRSA63J-122X	MG RESISTOR	1.2kΩ 1/16W J		R6242	NRSA63J-303X	MG RESISTOR	30kΩ 1/16W J	
R6028	NRSA63J-823X	MG RESISTOR	82kΩ 1/16W J		R6243	NRSA63J-303X	MG RESISTOR	30kΩ 1/16W J	
R6029	NRSA63J-104X	MG RESISTOR	100kΩ 1/16W J		R6244	NRSA63J-303X	MG RESISTOR	30kΩ 1/16W J	
R6031	NRSA63J-103X	MG RESISTOR	10kΩ 1/16W J		R6245	NRSA63J-223X	MG RESISTOR	22kΩ 1/16W J	
R6032	NRSA63J-123X	MG RESISTOR	12kΩ 1/16W J		R6246	NRSA63J-223X	MG RESISTOR	22kΩ 1/16W J	
R6033	NRSA63J-561X	MG RESISTOR	560Ω 1/16W J		R6247	NRSA63J-223X	MG RESISTOR	22kΩ 1/16W J	
R6034	NRSA63J-561X	MG RESISTOR	560Ω 1/16W J		R6248	NRSA63J-223X	MG RESISTOR	22kΩ 1/16W J	
R6035	NRSA63J-101X	MG RESISTOR	100Ω 1/16W J		R6251	NRSA63J-104X	MG RESISTOR	100kΩ 1/16W J	
R6036	NRSA63J-101X	MG RESISTOR	100Ω 1/16W J		R6252	NRSA63J-104X	MG RESISTOR	100kΩ 1/16W J	
R6037	NRSA63J-0R0X	MG RESISTOR	0Ω 1/16W J		R6253	NRSA63J-104X	MG RESISTOR	100kΩ 1/16W J	
R6038	NRSA63J-0R0X	MG RESISTOR	0Ω 1/16W J		R6254	NRSA63J-104X	MG RESISTOR	100kΩ 1/16W J	
R6041	NRSA63J-103X	MG RESISTOR	10kΩ 1/16W J		R6257	NRSA63J-0R0X	MG RESISTOR	0Ω 1/16W J	
R6043	NRSA63J-152X	MG RESISTOR	1.5kΩ 1/16W J		R6261	NRSA63J-303X	MG RESISTOR	30kΩ 1/16W J	
R6044	NRSA63J-681X	MG RESISTOR	680Ω 1/16W J		R6262	NRSA63J-303X	MG RESISTOR	30kΩ 1/16W J	
R6046	NRSA63J-152X	MG RESISTOR	1.5kΩ 1/16W J		R6263	NRSA63J-303X	MG RESISTOR	30kΩ 1/16W J	
R6047	NRSA63J-152X	MG RESISTOR	1.5kΩ 1/16W J		R6264	NRSA63J-303X	MG RESISTOR	30kΩ 1/16W J	
R6048	NRSA63J-152X	MG RESISTOR	1.5kΩ 1/16W J		R6265	NRSA63J-223X	MG RESISTOR	22kΩ 1/16W J	
R6052	NRSA63J-472X	MG RESISTOR	4.7kΩ 1/16W J		R6266	NRSA63J-223X	MG RESISTOR	22kΩ 1/16W J	
R6053	NRSA63J-473X	MG RESISTOR	47kΩ 1/16W J		R6267	NRSA63J-223X	MG RESISTOR	22kΩ 1/16W J	
R6054	NRSA63J-103X	MG RESISTOR	10kΩ 1/16W J		R6268	NRSA63J-223X	MG RESISTOR	22kΩ 1/16W J	
				AV7001E, AV7001EU, AV7005J, AV7005UN, AV7008A	R6271	NRSA63J-104X	MG RESISTOR	100kΩ 1/16W J	
R6055	NRSA63J-473X	MG RESISTOR	47kΩ 1/16W J		R6272	NRSA63J-104X	MG RESISTOR	100kΩ 1/16W J	
					R6273	NRSA63J-104X	MG RESISTOR	100kΩ 1/16W J	
					R6274	NRSA63J-104X	MG RESISTOR	100kΩ 1/16W J	
					R6277	NRSA63J-0R0X	MG RESISTOR	0Ω 1/16W J	
R6056	NRSA63J-102X	MG RESISTOR	1kΩ 1/16W J		R6281	NRSA63J-104X	MG RESISTOR	100kΩ 1/16W J	
					R6282	NRSA63J-104X	MG RESISTOR	100kΩ 1/16W J	
					R6283	NRSA63J-0R0X	MG RESISTOR	0Ω 1/16W J	
					R6284	NRSA63J-0R0X	MG RESISTOR	0Ω 1/16W J	
R6057	NRSA63J-473X	MG RESISTOR	47kΩ 1/16W J		R6287	NRSA63J-0R0X	MG RESISTOR	0Ω 1/16W J	
R6058	NRSA63J-473X	MG RESISTOR	47kΩ 1/16W J		R6291	NRSA63J-104X	MG RESISTOR	100kΩ 1/16W J	
R6071	NRSA63J-0R0X	MG RESISTOR	0Ω 1/16W J		R6292	NRSA63J-104X	MG RESISTOR	100kΩ 1/16W J	
R6072	NRSA63J-471X	MG RESISTOR	470Ω 1/16W J		R6293	NRSA63J-0R0X	MG RESISTOR	0Ω 1/16W J	
R6081	NRS181J-222X	MG RESISTOR	2.2kΩ 1/8W J		R6294	NRSA63J-0R0X	MG RESISTOR	0Ω 1/16W J	
R6082	NRS181J-222X	MG RESISTOR	2.2kΩ 1/8W J		R6297	NRSA63J-0R0X	MG RESISTOR	0Ω 1/16W J	
				AV7000J, AV7005J, AV7005UN, AV7008A	R6301	NRSA63J-473X	MG RESISTOR	47kΩ 1/16W J	
R6083	NRS181J-222X	MG RESISTOR	2.2kΩ 1/8W J		R6302	NRSA63J-473X	MG RESISTOR	47kΩ 1/16W J	
					R6303	NRSA63J-473X	MG RESISTOR	47kΩ 1/16W J	
					R6304	NRSA63J-473X	MG RESISTOR	47kΩ 1/16W J	
R6091	NRSA63J-102X	MG RESISTOR	1kΩ 1/16W J		R6305	NRSA63J-473X	MG RESISTOR	47kΩ 1/16W J	
R6092	NRSA63J-102X	MG RESISTOR	1kΩ 1/16W J		R6306	NRSA63J-473X	MG RESISTOR	47kΩ 1/16W J	
R6093	NRSA63J-473X	MG RESISTOR	47kΩ 1/16W J		R6307	NRSA63J-0R0X	MG RESISTOR	0Ω 1/16W J	
R6094	NRSA63J-0R0X	MG RESISTOR	0Ω 1/16W J		R6501	NRSA63J-393X	MG RESISTOR	39kΩ 1/16W J	
R6097	NRSA63J-222X	MG RESISTOR	2.2kΩ 1/16W J		R6502	NRSA63J-393X	MG RESISTOR	39kΩ 1/16W J	
R6098	NRSA63J-222X	MG RESISTOR	2.2kΩ 1/16W J		R6503	NRSA63J-102X	MG RESISTOR	1kΩ 1/16W J	
R6201	NRSA63J-750X	MG RESISTOR	75Ω 1/16W J		R6504	NRSA63J-102X	MG RESISTOR	1kΩ 1/16W J	
R6202	NRSA63J-750X	MG RESISTOR	75Ω 1/16W J						

△ Symbol No.	Part No.	Part Name	Description	Local	△ Symbol No.	Part No.	Part Name	Description	Local
R6505	NRSA63J-472X	MG RESISTOR	4.7kΩ 1/16W J	AV7001E, AV7001EU	R7521	NRSA63J-513X	MG RESISTOR	51kΩ 1/16W J	
R6506	NRSA63J-472X	MG RESISTOR	4.7kΩ 1/16W J	AV7001E, AV7001EU	R7522	NRSA63J-333X	MG RESISTOR	33kΩ 1/16W J	
R6511	NRSA63J-472X	MG RESISTOR	4.7kΩ 1/16W J		R7523	NRSA63J-0R0X	MG RESISTOR	0Ω 1/16W J	
R6512	NRSA63J-393X	MG RESISTOR	39kΩ 1/16W J		R7557	NRSA63J-0R0X	MG RESISTOR	0Ω 1/16W J	
R6513	NRSA63J-103X	MG RESISTOR	10kΩ 1/16W J		R7558	NRSA63J-0R0X	MG RESISTOR	0Ω 1/16W J	
R6521	NRSA63J-100X	MG RESISTOR	10Ω 1/16W J		R7577	NRSA63J-0R0X	MG RESISTOR	0Ω 1/16W J	
R6522	NRSA63J-220X	MG RESISTOR	22Ω 1/16W J		R7578	NRSA63J-0R0X	MG RESISTOR	0Ω 1/16W J	
R6523	NRSA63J-220X	MG RESISTOR	22Ω 1/16W J		R7597	NRSA63J-0R0X	MG RESISTOR	0Ω 1/16W J	
R6524	NRSA63J-473X	MG RESISTOR	47kΩ 1/16W J		R7598	NRSA63J-0R0X	MG RESISTOR	0Ω 1/16W J	
R6525	NRSA63J-472X	MG RESISTOR	4.7kΩ 1/16W J		R7611	NRSA63J-102X	MG RESISTOR	1kΩ 1/16W J	
R6526	NRSA63J-473X	MG RESISTOR	47kΩ 1/16W J		R7612	NRSA63J-102X	MG RESISTOR	1kΩ 1/16W J	
R6527	NRSA63J-332X	MG RESISTOR	3.3kΩ 1/16W J		R7613	NRSA63J-101X	MG RESISTOR	100Ω 1/16W J	
R6528	NRSA63J-0R0X	MG RESISTOR	0Ω 1/16W J		R7614	NRSA63J-101X	MG RESISTOR	100Ω 1/16W J	
R6529	NRSA63J-473X	MG RESISTOR	47kΩ 1/16W J		R7615	NRSA63J-473X	MG RESISTOR	47kΩ 1/16W J	
R6531	NRSA63J-0R0X	MG RESISTOR	0Ω 1/16W J	AV7001E, AV7001EU	R7616	NRSA63J-473X	MG RESISTOR	47kΩ 1/16W J	
R6532	NRSA63J-0R0X	MG RESISTOR	0Ω 1/16W J	AV7001E, AV7001EU, AV7000J, AV7005U, AV7005UN, AV7008A	R7617	NRSA63J-472X	MG RESISTOR	4.7kΩ 1/16W J	
R6534	NRSA63J-0R0X	MG RESISTOR	0Ω 1/16W J	AV7001E, AV7001EU	R7618	NRSA63J-472X	MG RESISTOR	4.7kΩ 1/16W J	
R6541	NRSA63J-102X	MG RESISTOR	1kΩ 1/16W J	AV7001E, AV7001EU	R7631	NRSA63J-102X	MG RESISTOR	1kΩ 1/16W J	
R6542	NRSA63J-102X	MG RESISTOR	1kΩ 1/16W J	AV7001E, AV7001EU	R7632	NRSA63J-102X	MG RESISTOR	1kΩ 1/16W J	
R6543	NRSA63J-473X	MG RESISTOR	47kΩ 1/16W J		R7633	NRSA63J-101X	MG RESISTOR	100Ω 1/16W J	
R6544	NRSA63J-473X	MG RESISTOR	47kΩ 1/16W J		R7634	NRSA63J-101X	MG RESISTOR	100Ω 1/16W J	
R6545	NRSA63J-222X	MG RESISTOR	2.2kΩ 1/16W J	AV7001E, AV7001EU	R7635	NRSA63J-473X	MG RESISTOR	47kΩ 1/16W J	
R6551	NRSA63J-473X	MG RESISTOR	47kΩ 1/16W J	AV7001E, AV7001EU, AV7000J, AV7005U, AV7005UN, AV7008A	R7636	NRSA63J-473X	MG RESISTOR	47kΩ 1/16W J	
R6552	NRSA63J-471X	MG RESISTOR	470Ω 1/16W J	AV7001E, AV7001EU	R7637	NRSA63J-472X	MG RESISTOR	4.7kΩ 1/16W J	
R6553	NRSA63J-103X	MG RESISTOR	10kΩ 1/16W J	AV7001E, AV7001EU	R7638	NRSA63J-472X	MG RESISTOR	4.7kΩ 1/16W J	
R6554	NRSA63J-103X	MG RESISTOR	10kΩ 1/16W J	AV7001E, AV7001EU	R7651	NRSA63J-102X	MG RESISTOR	1kΩ 1/16W J	
R6561	NRSA63J-103X	MG RESISTOR	10kΩ 1/16W J	AV7001E, AV7001EU	R7652	NRSA63J-102X	MG RESISTOR	1kΩ 1/16W J	
R6562	NRSA63J-222X	MG RESISTOR	2.2kΩ 1/16W J	AV7001E, AV7001EU	R7653	NRSA63J-101X	MG RESISTOR	100Ω 1/16W J	
R6563	NRSA63J-473X	MG RESISTOR	47kΩ 1/16W J	AV7001E, AV7001EU	R7654	NRSA63J-101X	MG RESISTOR	100Ω 1/16W J	
R6564	NRSA63J-393X	MG RESISTOR	39kΩ 1/16W J	AV7001E, AV7001EU	R7655	NRSA63J-473X	MG RESISTOR	47kΩ 1/16W J	
R6565	NRSA63J-473X	MG RESISTOR	47kΩ 1/16W J	AV7001E, AV7001EU	R7656	NRSA63J-473X	MG RESISTOR	47kΩ 1/16W J	
R7001	NRSA63J-0R0X	MG RESISTOR	0Ω 1/16W J		R7657	NRSA63J-472X	MG RESISTOR	4.7kΩ 1/16W J	
R7101	NRSA63J-0R0X	MG RESISTOR	0Ω 1/16W J		R7658	NRSA63J-472X	MG RESISTOR	4.7kΩ 1/16W J	
R7401	NRSA63J-224X	MG RESISTOR	220kΩ 1/16W J		R7671	NRSA63J-0R0X	MG RESISTOR	0Ω 1/16W J	
R7403	NRSA63J-474X	MG RESISTOR	470kΩ 1/16W J		R7682	NRSA63J-0R0X	MG RESISTOR	0Ω 1/16W J	
R7404	NRSA63J-224X	MG RESISTOR	220kΩ 1/16W J		R7683	NRSA63J-472X	MG RESISTOR	4.7kΩ 1/16W J	
R7405	NRSA63J-474X	MG RESISTOR	470kΩ 1/16W J		R7692	NRSA63J-103X	MG RESISTOR	10kΩ 1/16W J	
R7411	NRSA63J-224X	MG RESISTOR	220kΩ 1/16W J		R8001	NRSA63J-0R0X	MG RESISTOR	0Ω 1/16W J	
R7412	NRSA63J-224X	MG RESISTOR	220kΩ 1/16W J		R8002	NRSA63J-0R0X	MG RESISTOR	0Ω 1/16W J	
R7413	NRSA63J-473X	MG RESISTOR	47kΩ 1/16W J		R8003	NRSA63J-0R0X	MG RESISTOR	0Ω 1/16W J	
R7414	NRSA63J-473X	MG RESISTOR	47kΩ 1/16W J		R8004	NRSA63J-0R0X	MG RESISTOR	0Ω 1/16W J	
R7415	NRSA63J-183X	MG RESISTOR	18kΩ 1/16W J		R8012	NRSA63J-102X	MG RESISTOR	1kΩ 1/16W J	
R7416	NRSA63J-183X	MG RESISTOR	18kΩ 1/16W J		R8021	NRSA63J-100X	MG RESISTOR	10Ω 1/16W J	
R7417	NRSA63J-221X	MG RESISTOR	220Ω 1/16W J		R8051	NRSA63J-0R0X	MG RESISTOR	0Ω 1/16W J	
R7418	NRSA63J-221X	MG RESISTOR	220Ω 1/16W J		R8052	NRSA63J-0R0X	MG RESISTOR	0Ω 1/16W J	
R7421	NRSA63J-103X	MG RESISTOR	10kΩ 1/16W J		R8053	NRSA63J-0R0X	MG RESISTOR	0Ω 1/16W J	
R7422	NRSA63J-103X	MG RESISTOR	10kΩ 1/16W J		R8062	NRSA63J-102X	MG RESISTOR	1kΩ 1/16W J	
R7423	NRSA63J-474X	MG RESISTOR	470kΩ 1/16W J		R8071	NRSA63J-100X	MG RESISTOR	10Ω 1/16W J	
R7424	NRSA63J-474X	MG RESISTOR	470kΩ 1/16W J		R8101	NRSA63J-0R0X	MG RESISTOR	0Ω 1/16W J	
R7431	NRSA63J-0R0X	MG RESISTOR	0Ω 1/16W J		R8102	NRSA63J-0R0X	MG RESISTOR	0Ω 1/16W J	
R7432	NRSA63J-0R0X	MG RESISTOR	0Ω 1/16W J		R8111	NRSA63J-104X	MG RESISTOR	100kΩ 1/16W J	
R7501	NRSA63J-102X	MG RESISTOR	1kΩ 1/16W J		R8112	NRSA63J-104X	MG RESISTOR	100kΩ 1/16W J	
R7502	NRSA63J-102X	MG RESISTOR	1kΩ 1/16W J		R8113	NRSA63J-223X	MG RESISTOR	22kΩ 1/16W J	
R7503	NRSA63J-102X	MG RESISTOR	1kΩ 1/16W J		R8114	NRSA63J-223X	MG RESISTOR	22kΩ 1/16W J	
R7504	NRSA63J-102X	MG RESISTOR	1kΩ 1/16W J		R8115	NRSA63J-223X	MG RESISTOR	22kΩ 1/16W J	
R7511	NRSA63J-273X	MG RESISTOR	27kΩ 1/16W J		R8116	NRSA63J-223X	MG RESISTOR	22kΩ 1/16W J	
R7512	NRSA63J-100X	MG RESISTOR	10Ω 1/16W J		R8131	NRSA63J-102X	MG RESISTOR	1kΩ 1/16W J	
R7513	NRSA63J-103X	MG RESISTOR	10kΩ 1/16W J		R8132	NRSA63J-102X	MG RESISTOR	1kΩ 1/16W J	
R7514	NRSA63J-473X	MG RESISTOR	47kΩ 1/16W J		R8133	NRSA63J-101X	MG RESISTOR	100Ω 1/16W J	
R7515	NRSA63J-222X	MG RESISTOR	2.2kΩ 1/16W J		R8134	NRSA63J-101X	MG RESISTOR	100Ω 1/16W J	
					R8135	NRSA63J-473X	MG RESISTOR	47kΩ 1/16W J	
					R8136	NRSA63J-473X	MG RESISTOR	47kΩ 1/16W J	
					R8137	NRSA63J-472X	MG RESISTOR	4.7kΩ 1/16W J	
					R8138	NRSA63J-472X	MG RESISTOR	4.7kΩ 1/16W J	
					R8141	NRSA63J-750X	MG RESISTOR	75Ω 1/16W J	
					R8151	NRSA63J-0R0X	MG RESISTOR	0Ω 1/16W J	
					R8181	NRSA63J-102X	MG RESISTOR	1kΩ 1/16W J	
					R8182	NRSA63J-102X	MG RESISTOR	1kΩ 1/16W J	
					R8183	NRSA63J-101X	MG RESISTOR	100Ω 1/16W J	
					R8184	NRSA63J-101X	MG RESISTOR	100Ω 1/16W J	
					R8185	NRSA63J-473X	MG RESISTOR	47kΩ 1/16W J	
					R8186	NRSA63J-473X	MG RESISTOR	47kΩ 1/16W J	
					R8187	NRSA63J-472X	MG RESISTOR	4.7kΩ 1/16W J	
					R8188	NRSA63J-472X	MG RESISTOR	4.7kΩ 1/16W J	
					R8501	NRSA63J-471X	MG RESISTOR	470Ω 1/16W J	
					R8502	NRSA63J-471X	MG RESISTOR	470Ω 1/16W J	
					R8503	NRSA63J-471X	MG RESISTOR	470Ω 1/16W J	
					R8504	NRSA63J-102X	MG RESISTOR	1kΩ 1/16W J	

△ Symbol No.	Part No.	Part Name	Description	Local	△ Symbol No.	Part No.	Part Name	Description	Local
R8505	NRSA63J-102X	MG RESISTOR	1kΩ 1/16W J		R8638	NRSA63J-562X	MG RESISTOR	5.6kΩ 1/16W J	
R8506	NRSA63J-103X	MG RESISTOR	10kΩ 1/16W J		R8645	NRSA63J-473X	MG RESISTOR	47kΩ 1/16W J	
R8510	NRSA63J-821X	MG RESISTOR	820Ω 1/16W J		R8646	NRSA63J-222X	MG RESISTOR	2.2kΩ 1/16W J	
R8519	NRSA63J-0R0X	MG RESISTOR	0Ω 1/16W J		R8647	NRSA63J-222X	MG RESISTOR	2.2kΩ 1/16W J	
R8520	NRSA63J-102X	MG RESISTOR	1kΩ 1/16W J		R8665	NRSA63J-473X	MG RESISTOR	47kΩ 1/16W J	AV7000J
				AV7000J, AV7005U, AV7005UN, AV7008A	R8666	NRSA63J-473X	MG RESISTOR	47kΩ 1/16W J	AV7000J
R8521	NRSA63J-102X	MG RESISTOR	1kΩ 1/16W J						AV7001E, AV7001EU, AV7005U, AV7005UN, AV7008A
R8522	NRSA63J-102X	MG RESISTOR	1kΩ 1/16W J		R8667	NRSA63J-473X	MG RESISTOR	47kΩ 1/16W J	
R8526	NRSA63J-103X	MG RESISTOR	10kΩ 1/16W J						AV7001E, AV7001EU, AV7005U, AV7005UN, AV7008A
R8527	NRSA63J-103X	MG RESISTOR	10kΩ 1/16W J						AV7001E, AV7001EU, AV7005U, AV7005UN, AV7008A
R8534	NRSA63J-0R0X	MG RESISTOR	0Ω 1/16W J		R8668	NRSA63J-473X	MG RESISTOR	47kΩ 1/16W J	
R8535	NRSA63J-102X	MG RESISTOR	1kΩ 1/16W J						AV7000J, AV7001E, AV7001EU
R8538	NRSA63J-332X	MG RESISTOR	3.3kΩ 1/16W J		R8669	NRSA63J-473X	MG RESISTOR	47kΩ 1/16W J	
R8540	NRSA63J-472X	MG RESISTOR	4.7kΩ 1/16W J						AV7000J, AV7001E, AV7001EU
R8541	NRSA63J-101X	MG RESISTOR	100Ω 1/16W J		R8670	NRSA63J-473X	MG RESISTOR	47kΩ 1/16W J	
R8542	NRSA63J-101X	MG RESISTOR	100Ω 1/16W J						AV7000J, AV7001E, AV7001EU
R8543	NRSA63J-102X	MG RESISTOR	1kΩ 1/16W J						AV7000J, AV7005U, AV7005UN, AV7008A
R8544	NRSA63J-0R0X	MG RESISTOR	0Ω 1/16W J		R8671	NRSA63J-473X	MG RESISTOR	47kΩ 1/16W J	
R8545	NRSA63J-0R0X	MG RESISTOR	0Ω 1/16W J						AV7001E, AV7001EU
R8546	NRSA63J-152X	MG RESISTOR	1.5kΩ 1/16W J						AV7001E, AV7001EU
R8547	NRSA63J-152X	MG RESISTOR	1.5kΩ 1/16W J		R8694	NRSA63J-103X	MG RESISTOR	10kΩ 1/16W J	
R8548	NRSA63J-102X	MG RESISTOR	1kΩ 1/16W J		R8701	NRSA63J-473X	MG RESISTOR	47kΩ 1/16W J	
R8549	NRSA63J-102X	MG RESISTOR	1kΩ 1/16W J		R8702	NRSA63J-222X	MG RESISTOR	2.2kΩ 1/16W J	
R8551	NRSA63J-0R0X	MG RESISTOR	0Ω 1/16W J		R8705	NRSA63J-0R0X	MG RESISTOR	0Ω 1/16W J	
				AV7001E, AV7001EU	R8712	NRSA63J-471X	MG RESISTOR	470Ω 1/16W J	
R8552	NRSA63J-102X	MG RESISTOR	1kΩ 1/16W J		R8713	NRSA63J-471X	MG RESISTOR	470Ω 1/16W J	
R8553	NRSA63J-102X	MG RESISTOR	1kΩ 1/16W J		R8714	NRSA63J-471X	MG RESISTOR	470Ω 1/16W J	
R8554	NRSA63J-102X	MG RESISTOR	1kΩ 1/16W J		R8715	NRSA63J-102X	MG RESISTOR	1kΩ 1/16W J	
R8556	NRSA63J-102X	MG RESISTOR	1kΩ 1/16W J		R8716	NRSA63J-104X	MG RESISTOR	100kΩ 1/16W J	
R8558	NRSA63J-102X	MG RESISTOR	1kΩ 1/16W J		R8732	NRSA63J-472X	MG RESISTOR	4.7kΩ 1/16W J	
				AV7001E, AV7001EU	R8751	NRSA63J-223X	MG RESISTOR	22kΩ 1/16W J	
R8559	NRSA63J-102X	MG RESISTOR	1kΩ 1/16W J		R8752	NRSA63J-104X	MG RESISTOR	100kΩ 1/16W J	
R8560	NRSA63J-102X	MG RESISTOR	1kΩ 1/16W J		R8753	NRSA63J-101X	MG RESISTOR	100Ω 1/16W J	
				AV7001E, AV7001EU, AV7005U, AV7005UN, AV7008A	R8754	NRSA63J-473X	MG RESISTOR	47kΩ 1/16W J	
R8565	NRSA63J-473X	MG RESISTOR	47kΩ 1/16W J		R8755	NRSA63J-103X	MG RESISTOR	10kΩ 1/16W J	
				AV7001E, AV7001EU, AV7005U, AV7005UN, AV7008A	R8756	NRSA63J-101X	MG RESISTOR	100Ω 1/16W J	
R8566	NRSA63J-473X	MG RESISTOR	47kΩ 1/16W J		R8757	NRSA63J-473X	MG RESISTOR	47kΩ 1/16W J	
				AV7001E, AV7001EU, AV7005U, AV7005UN, AV7008A	R8758	NRSA63J-223X	MG RESISTOR	22kΩ 1/16W J	
R8567	NRSA63J-473X	MG RESISTOR	47kΩ 1/16W J		R8759	NRSA63J-331X	MG RESISTOR	330Ω 1/16W J	
R8568	NRSA63J-473X	MG RESISTOR	47kΩ 1/16W J		R8760	NRSA63J-104X	MG RESISTOR	100kΩ 1/16W J	
				AV7000J	R8901	NRSA63J-102X	MG RESISTOR	1kΩ 1/16W J	
R8570	NRSA63J-473X	MG RESISTOR	47kΩ 1/16W J		R8902	NRSA63J-103X	MG RESISTOR	10kΩ 1/16W J	
				AV7005U, AV7005UN, AV7008A	R8903	NRSA63J-101X	MG RESISTOR	100Ω 1/16W J	
R8571	NRSA63J-473X	MG RESISTOR	47kΩ 1/16W J		R8904	NRSA63J-101X	MG RESISTOR	100Ω 1/16W J	
				AV7001E, AV7001EU	R8907	NRSA63J-220X	MG RESISTOR	22Ω 1/16W J	
R8573	NRSA63J-471X	MG RESISTOR	470Ω 1/16W J		R8917	NRSA63J-750X	MG RESISTOR	75Ω 1/16W J	
R8574	NRSA63J-221X	MG RESISTOR	220Ω 1/16W J		R8919	NRSA63J-750X	MG RESISTOR	75Ω 1/16W J	
R8576	NRSA63J-471X	MG RESISTOR	470Ω 1/16W J		R8931	NRSA63J-101X	MG RESISTOR	100Ω 1/16W J	
R8577	NRSA63J-471X	MG RESISTOR	470Ω 1/16W J		R8932	NRSA63J-101X	MG RESISTOR	100Ω 1/16W J	
R8578	NRSA63J-471X	MG RESISTOR	470Ω 1/16W J		R8944	NRSA63J-750X	MG RESISTOR	75Ω 1/16W J	
R8579	NRSA63J-471X	MG RESISTOR	470Ω 1/16W J		R8945	NRSA63J-101X	MG RESISTOR	100Ω 1/16W J	
R8582	NRSA63J-471X	MG RESISTOR	470Ω 1/16W J		R8951	NRSA63J-101X	MG RESISTOR	100Ω 1/16W J	
R8583	NRSA63J-471X	MG RESISTOR	470Ω 1/16W J						
R8584	NRSA63J-102X	MG RESISTOR	1kΩ 1/16W J		L6001	QLL26AK-221Z	CHOKE COIL	220uH K	
R8585	NRSA63J-102X	MG RESISTOR	1kΩ 1/16W J		L6002	NQL32CM-470X	COIL	47uH M	
R8586	NRSA63J-102X	MG RESISTOR	1kΩ 1/16W J		L6091	QQR1462-001	CHOKE COIL		
R8587	NRSA63J-102X	MG RESISTOR	1kΩ 1/16W J		L6201	NRSA63J-0R0X	MG RESISTOR	0Ω 1/16W J	
R8588	NRSA63J-102X	MG RESISTOR	1kΩ 1/16W J		L6202	NRSA63J-0R0X	MG RESISTOR	0Ω 1/16W J	
R8589	NRSA63J-102X	MG RESISTOR	1kΩ 1/16W J		L6501	NQL114K-100X	COIL	10uH K	
R8590	NRSA63J-102X	MG RESISTOR	1kΩ 1/16W J						AV7001E, AV7001EU
R8591	NRSA63J-471X	MG RESISTOR	470Ω 1/16W J		L6541	NRSA63J-0R0X	MG RESISTOR	0Ω 1/16W J	
R8592	NRSA63J-471X	MG RESISTOR	470Ω 1/16W J		L6572	NRSA63J-0R0X	MG RESISTOR	0Ω 1/16W J	
R8593	NRSA63J-471X	MG RESISTOR	470Ω 1/16W J		L6573	NRSA63J-0R0X	MG RESISTOR	0Ω 1/16W J	
R8595	NRSA63J-102X	MG RESISTOR	1kΩ 1/16W J		L6574	NRSA63J-0R0X	MG RESISTOR	0Ω 1/16W J	
R8596	NRSA63J-102X	MG RESISTOR	1kΩ 1/16W J		L6575	NRSA63J-0R0X	MG RESISTOR	0Ω 1/16W J	
R8597	NRSA63J-102X	MG RESISTOR	1kΩ 1/16W J		L6576	NRSA63J-0R0X	MG RESISTOR	0Ω 1/16W J	
R8598	NRSA63J-102X	MG RESISTOR	1kΩ 1/16W J		L8021	NRSA63J-0R0X	MG RESISTOR	0Ω 1/16W J	
R8599	NRSA63J-102X	MG RESISTOR	1kΩ 1/16W J		L8071	NRSA63J-0R0X	MG RESISTOR	0Ω 1/16W J	
R8608	NRSA63J-473X	MG RESISTOR	47kΩ 1/16W J		L8141	NRSA63J-0R0X	MG RESISTOR	0Ω 1/16W J	
R8617	NRSA63J-473X	MG RESISTOR	47kΩ 1/16W J		L8523	NRSA63J-0R0X	MG RESISTOR	0Ω 1/16W J	
R8618	NRSA63J-104X	MG RESISTOR	100kΩ 1/16W J		L8581	NRSA63J-0R0X	MG RESISTOR	0Ω 1/16W J	
R8634	NRSA63J-473X	MG RESISTOR	47kΩ 1/16W J		L8917	NRSA63J-0R0X	MG RESISTOR	0Ω 1/16W J	
R8637	NRSA63J-473X	MG RESISTOR	47kΩ 1/16W J		L8919	NRSA63J-0R0X	MG RESISTOR	0Ω 1/16W J	
				AV7000J	L8944	NRSA63J-0R0X	MG RESISTOR	0Ω 1/16W J	
					CN601	QGA2001C1-02	CONNECTOR	W-B (1-2)	

△ Symbol No.	Part No.	Part Name	Description	Local
CN650	QGB2024K1-20S	CONNECTOR	B-B (1-20)	
CN652	QGB2024J1-20S	CONNECTOR	B-B (1-20)	
CN701	QGB2027M7-26S	CONNECTOR	B-B (1-26)	
CN751	QNZ0090-001	CAR CONNECTOR		
CN752	QGA4201F1-04	CONNECTOR	W-B (1-4)	
CN861	QGF0501F1-08X	CONNECTOR	FFC/FPC (1-8)	
CN890	QNZ0691-001	D CONNECTOR		
CN893	QNZ0095-001	CONNECTOR		
CN894	QNZ0690-001	D CONNECTOR		
F751	QMFZ039-150-T	FUSE	15A	
J6201	QNN0623-001	PIN JACK		
J6202	QNN0623-001	PIN JACK		
J6501	QNB0100-002	CAR ANT JACK		
J7611	QNN0605-001	PIN JACK		
J8141	QNN0623-001	PIN JACK		
K8509	NQR0269-004X	FERRITE BEADS		
PP1	QZW0010-001	STYLE PIN		
TH601	NAD0028-103X	N THERMISTOR	10kΩ	
TU651	QAU0203-002	TUNER		AV7001E, AV7001EU
TU651	QAU0204-002	TUNER		AV7000L, AV7005UJ, AV7005UN, AV7008A, AV7001E, AV7001EU
X6541	QAX0263-001Z	CRYSTAL	4.332MHz	
X8510	QAX0617-001Z	CRYSTAL	12.500MHz	

△ Symbol No.	Part No.	Part Name	Description	Local
C9012	NCB31CK-104X	C CAPACITOR	0.1uF 16V K	
C9013	NCB31CK-104X	C CAPACITOR	0.1uF 16V K	
C9015	NCB31CK-104X	C CAPACITOR	0.1uF 16V K	
C9016	NCB31CK-104X	C CAPACITOR	0.1uF 16V K	
C9017	NCB31HK-103X	C CAPACITOR	0.01uF 50V K	
C9018	NCB31HK-103X	C CAPACITOR	0.01uF 50V K	
C9021	NCB31CK-104X	C CAPACITOR	0.1uF 16V K	
C9022	NCB31CK-104X	C CAPACITOR	0.1uF 16V K	
C9041	NCB31CK-104X	C CAPACITOR	0.1uF 16V K	
C9042	QERF1CM-106Z	E CAPACITOR	10uF 16V M	
C9043	QERF0JM-107Z	E CAPACITOR	100uF 6.3V M	
C9044	NCB31HK-103X	C CAPACITOR	0.01uF 50V K	
C9051	NCB31CK-104X	C CAPACITOR	0.1uF 16V K	
C9052	NCB31CK-104X	C CAPACITOR	0.1uF 16V K	
C9053	QERF0JM-107Z	E CAPACITOR	100uF 6.3V M	
C9054	NCB31CK-104X	C CAPACITOR	0.1uF 16V K	
C9055	QERF0JM-107Z	E CAPACITOR	100uF 6.3V M	
C9101	NCB31CK-104X	C CAPACITOR	0.1uF 16V K	
C9102	NCB31CK-104X	C CAPACITOR	0.1uF 16V K	
C9107	NCB31CK-104X	C CAPACITOR	0.1uF 16V K	
C9108	NCB31CK-104X	C CAPACITOR	0.1uF 16V K	
C9109	NCB31CK-104X	C CAPACITOR	0.1uF 16V K	
C9110	NCB31CK-104X	C CAPACITOR	0.1uF 16V K	
C9111	NCB31HK-102X	C CAPACITOR	1000pF 50V K	
C9112	QERF0JM-107Z	E CAPACITOR	100uF 6.3V M	
C9113	NCB31CK-104X	C CAPACITOR	0.1uF 16V K	
C9114	NCB31CK-104X	C CAPACITOR	0.1uF 16V K	
C9115	NCB31CK-104X	C CAPACITOR	0.1uF 16V K	
C9116	NCB31CK-104X	C CAPACITOR	0.1uF 16V K	
C9117	NCB31CK-104X	C CAPACITOR	0.1uF 16V K	
C9118	NCB31CK-104X	C CAPACITOR	0.1uF 16V K	
C9151	NCB31CK-104X	C CAPACITOR	0.1uF 16V K	
C9152	NCS31HJ-100X	C CAPACITOR	10pF 50V J	
C9153	NCS31HJ-100X	C CAPACITOR	10pF 50V J	
C9201	QERF1CM-106Z	E CAPACITOR	10uF 16V M	
C9202	NCB31CK-104X	C CAPACITOR	0.1uF 16V K	
C9203	NCB31CK-104X	C CAPACITOR	0.1uF 16V K	
C9204	NCB31HK-221X	C CAPACITOR	220pF 50V K	
C9205	NCB31HK-221X	C CAPACITOR	220pF 50V K	
C9206	QERF1EM-475Z	E CAPACITOR	4.7uF 25V M	
C9207	NCB31CK-104X	C CAPACITOR	0.1uF 16V K	
C9208	QERF0JM-107Z	E CAPACITOR	100uF 6.3V M	
C9209	NCB31CK-104X	C CAPACITOR	0.1uF 16V K	
C9210	NCB31HK-102X	C CAPACITOR	1000pF 50V K	
C9211	QERF0JM-107Z	E CAPACITOR	100uF 6.3V M	
C9212	NCB31EK-223X	C CAPACITOR	0.022uF 25V K	
C9213	NCB31HK-102X	C CAPACITOR	1000pF 50V K	
C9214	NCB31CK-104X	C CAPACITOR	0.1uF 16V K	
C9215	NCB31HK-103X	C CAPACITOR	0.01uF 50V K	
C9216	NCB31HK-103X	C CAPACITOR	0.01uF 50V K	
C9217	NCB31HK-103X	C CAPACITOR	0.01uF 50V K	
C9218	NCB31HK-103X	C CAPACITOR	0.01uF 50V K	
C9219	NCB31HK-103X	C CAPACITOR	0.01uF 50V K	
C9220	NCB31HK-103X	C CAPACITOR	0.01uF 50V K	
C9221	NCB31HK-103X	C CAPACITOR	0.01uF 50V K	
C9222	NCS31HJ-100X	C CAPACITOR	10pF 50V J	
C9223	NCB31HK-103X	C CAPACITOR	0.01uF 50V K	
C9224	NCB31CK-104X	C CAPACITOR	0.1uF 16V K	
C9225	NCB31CK-104X	C CAPACITOR	0.1uF 16V K	
C9226	QERF1CM-106Z	E CAPACITOR	10uF 16V M	
C9501	QERF1EM-475Z	E CAPACITOR	4.7uF 25V M	
C9502	QERF1EM-475Z	E CAPACITOR	4.7uF 25V M	
C9505	NCS31HJ-470X	C CAPACITOR	47pF 50V J	
C9506	NCS31HJ-470X	C CAPACITOR	47pF 50V J	
C9509	NCS31HJ-220X	C CAPACITOR	22pF 50V J	
C9510	NCS31HJ-220X	C CAPACITOR	22pF 50V J	
C9511	NCB31CK-104X	C CAPACITOR	0.1uF 16V K	
C9512	NCB31CK-104X	C CAPACITOR	0.1uF 16V K	
C9515	NCB31CK-104X	C CAPACITOR	0.1uF 16V K	
C9516	NCB31CK-104X	C CAPACITOR	0.1uF 16V K	
C9541	QERF1CM-106Z	E CAPACITOR	10uF 16V M	
C9542	QERF1CM-106Z	E CAPACITOR	10uF 16V M	
C9543	QERF1CM-106Z	E CAPACITOR	10uF 16V M	
C9544	QERF1CM-106Z	E CAPACITOR	10uF 16V M	
C9601	NCB31HK-682X	C CAPACITOR	6800pF 50V K	
C9602	NCB31HK-682X	C CAPACITOR	6800pF 50V K	
C9603	NCB31HK-471X	C CAPACITOR	470pF 50V K	
C9604	NCB31HK-471X	C CAPACITOR	470pF 50V K	

DSP board

Block No. [0][5]

△ Symbol No.	Part No.	Part Name	Description	Local
IC901	UPD784217AGC266	IC		
IC902	SN74AHCT1G32K-X	IC		
IC903	SN74LVC1G04K-X	IC		
IC904	BA3259HFP-W	IC		
IC905	NJM78M05DL1A-X	IC		
IC911	DSPA56370AF	IC		
IC912	SN74LVC1GU04K-X	IC		
IC921	CS42518-CQZ-C-W	IC		
IC951	NJM4565V-X	IC		
IC952	NJM4565V-X	IC		
IC961	NJM4565V-X	IC		
IC962	NJM4565V-X	IC		
IC963	NJM4565V-X	IC		
IC971	NJM4565V-X	IC		
IC972	NJM4565V-X	IC		
IC973	NJM4565V-X	IC		
IC981	NJM4565V-X	IC		
IC982	NJM4565V-X	IC		
IC983	NJM4565V-X	IC		
IC984	NJM2121M-X	IC		
Q9003	UN2214-X	TRANSISTOR		
Q9601	2SD2114K/VW/-X	TRANSISTOR		
Q9602	2SD2114K/VW/-X	TRANSISTOR		
Q9603	UN2114-X	TRANSISTOR		
Q9604	2SD2114K/VW/-X	TRANSISTOR		
Q9701	2SD2114K/VW/-X	TRANSISTOR		
Q9702	2SD2114K/VW/-X	TRANSISTOR		
Q9703	UN2114-X	TRANSISTOR		
Q9704	2SD2114K/VW/-X	TRANSISTOR		
Q9801	2SD2114K/VW/-X	TRANSISTOR		
Q9802	2SD2114K/VW/-X	TRANSISTOR		
Q9805	UN2114-X	TRANSISTOR		
Q9806	UN2214-X	TRANSISTOR		
D9601	MA152WA-X	DIODE		
D9701	MA152WA-X	DIODE		
D9801	MA152WA-X	DIODE		
C9001	NCS31HJ-101X	C CAPACITOR	100pF 50V J	
C9002	NCB31HK-103X	C CAPACITOR	0.01uF 50V K	
C9003	QERF0JM-107Z	E CAPACITOR	100uF 6.3V M	

△ Symbol No.	Part No.	Part Name	Description	Local	△ Symbol No.	Part No.	Part Name	Description	Local
C9605	NCB31HK-471X	C CAPACITOR	470pF 50V K		C9833	NCB31CK-104X	C CAPACITOR	0.1uF 16V K	
C9606	NCB31HK-471X	C CAPACITOR	470pF 50V K		C9841	QERF1CM-106Z	E CAPACITOR	10uF 16V M	
C9607	NCB31HK-821X	C CAPACITOR	820pF 50V K		C9842	QERF1CM-106Z	E CAPACITOR	10uF 16V M	
C9608	NCB31HK-821X	C CAPACITOR	820pF 50V K		C9843	QERF1CM-106Z	E CAPACITOR	10uF 16V M	
C9609	NCS31HJ-151X	C CAPACITOR	150pF 50V J		C9844	QERF1CM-106Z	E CAPACITOR	10uF 16V M	
C9610	NCS31HJ-151X	C CAPACITOR	150pF 50V J						
C9611	NCS31HJ-330X	C CAPACITOR	33pF 50V J		R9001	NRSA63J-562X	MG RESISTOR	5.6kΩ 1/16W J	
C9612	NCS31HJ-330X	C CAPACITOR	33pF 50V J		R9002	NRSA63J-222X	MG RESISTOR	2.2kΩ 1/16W J	
C9613	QERF1EM-475Z	E CAPACITOR	4.7uF 25V M		R9003	NRSA63J-0R0X	MG RESISTOR	0Ω 1/16W J	
C9614	QERF1EM-475Z	E CAPACITOR	4.7uF 25V M		R9004	NRSA63J-221X	MG RESISTOR	220Ω 1/16W J	
C9615	NCB31HK-222X	C CAPACITOR	2200pF 50V K		R9005	NRSA63J-103X	MG RESISTOR	10kΩ 1/16W J	
C9616	NCB31HK-222X	C CAPACITOR	2200pF 50V K		R9006	NRSA63J-103X	MG RESISTOR	10kΩ 1/16W J	
C9618	QERF1EM-475Z	E CAPACITOR	4.7uF 25V M		R9007	NRSA63J-103X	MG RESISTOR	10kΩ 1/16W J	
C9620	QERF1EM-475Z	E CAPACITOR	4.7uF 25V M		R9008	NRSA63J-103X	MG RESISTOR	10kΩ 1/16W J	
C9621	NCB31CK-104X	C CAPACITOR	0.1uF 16V K		R9009	NRSA63J-103X	MG RESISTOR	10kΩ 1/16W J	
C9622	NCB31CK-104X	C CAPACITOR	0.1uF 16V K		R9010	NRSA63J-103X	MG RESISTOR	10kΩ 1/16W J	
C9623	NCB31CK-104X	C CAPACITOR	0.1uF 16V K		R9011	NRSA63J-221X	MG RESISTOR	220Ω 1/16W J	
C9625	NCB31CK-104X	C CAPACITOR	0.1uF 16V K		R9012	NRSA63J-221X	MG RESISTOR	220Ω 1/16W J	
C9626	NCB31CK-104X	C CAPACITOR	0.1uF 16V K		R9013	NRSA63J-221X	MG RESISTOR	220Ω 1/16W J	
C9627	NCB31CK-104X	C CAPACITOR	0.1uF 16V K		R9014	NRSA63J-221X	MG RESISTOR	220Ω 1/16W J	
C9641	QERF1CM-106Z	E CAPACITOR	10uF 16V M		R9015	NRSA63J-221X	MG RESISTOR	220Ω 1/16W J	
C9642	QERF1CM-106Z	E CAPACITOR	10uF 16V M		R9016	NRSA63J-221X	MG RESISTOR	220Ω 1/16W J	
C9643	QERF1CM-106Z	E CAPACITOR	10uF 16V M		R9017	NRSA63J-221X	MG RESISTOR	220Ω 1/16W J	
C9644	QERF1CM-106Z	E CAPACITOR	10uF 16V M		R9018	NRSA63J-221X	MG RESISTOR	220Ω 1/16W J	
C9701	NCB31HK-682X	C CAPACITOR	6800pF 50V K		R9019	NRSA63J-221X	MG RESISTOR	220Ω 1/16W J	
C9702	NCB31HK-682X	C CAPACITOR	6800pF 50V K		R9020	NRSA63J-221X	MG RESISTOR	220Ω 1/16W J	
C9703	NCB31HK-471X	C CAPACITOR	470pF 50V K		R9021	NRSA63J-221X	MG RESISTOR	220Ω 1/16W J	
C9704	NCB31HK-471X	C CAPACITOR	470pF 50V K		R9022	NRSA63J-103X	MG RESISTOR	10kΩ 1/16W J	
C9705	NCB31HK-471X	C CAPACITOR	470pF 50V K		R9023	NRSA63J-0R0X	MG RESISTOR	0Ω 1/16W J	
C9706	NCB31HK-471X	C CAPACITOR	470pF 50V K		R9024	NRSA63J-0R0X	MG RESISTOR	0Ω 1/16W J	
C9707	NCB31HK-821X	C CAPACITOR	820pF 50V K		R9026	NRSA63J-221X	MG RESISTOR	220Ω 1/16W J	
C9708	NCB31HK-821X	C CAPACITOR	820pF 50V K		R9027	NRSA63J-221X	MG RESISTOR	220Ω 1/16W J	
C9709	NCS31HJ-151X	C CAPACITOR	150pF 50V J		R9030	NRSA63J-0R0X	MG RESISTOR	0Ω 1/16W J	
C9710	NCS31HJ-151X	C CAPACITOR	150pF 50V J		R9031	NRSA63J-0R0X	MG RESISTOR	0Ω 1/16W J	
C9711	NCS31HJ-330X	C CAPACITOR	33pF 50V J		R9032	NRSA63J-221X	MG RESISTOR	220Ω 1/16W J	
C9712	NCS31HJ-330X	C CAPACITOR	33pF 50V J		R9033	NRSA63J-102X	MG RESISTOR	1kΩ 1/16W J	
C9713	QERF1EM-475Z	E CAPACITOR	4.7uF 25V M		R9034	NRSA63J-473X	MG RESISTOR	47kΩ 1/16W J	
C9714	QERF1EM-475Z	E CAPACITOR	4.7uF 25V M		R9035	NRSA63J-473X	MG RESISTOR	47kΩ 1/16W J	
C9715	NCB31HK-222X	C CAPACITOR	2200pF 50V K		R9051	NRSA63J-112X	MG RESISTOR	1.1kΩ 1/16W J	
C9716	NCB31HK-222X	C CAPACITOR	2200pF 50V K		R9052	NRSA63J-122X	MG RESISTOR	1.2kΩ 1/16W J	
C9718	QERF1EM-475Z	E CAPACITOR	4.7uF 25V M		R9101	NRSA63J-102X	MG RESISTOR	1kΩ 1/16W J	
C9721	NCB31CK-104X	C CAPACITOR	0.1uF 16V K		R9102	NRSA63J-102X	MG RESISTOR	1kΩ 1/16W J	
C9722	NCB31CK-104X	C CAPACITOR	0.1uF 16V K		R9103	NRSA63J-471X	MG RESISTOR	470Ω 1/16W J	
C9723	NCB31CK-104X	C CAPACITOR	0.1uF 16V K		R9104	NRSA63J-471X	MG RESISTOR	470Ω 1/16W J	
C9725	NCB31CK-104X	C CAPACITOR	0.1uF 16V K		R9105	NRSA63J-471X	MG RESISTOR	470Ω 1/16W J	
C9726	NCB31CK-104X	C CAPACITOR	0.1uF 16V K		R9106	NRSA63J-471X	MG RESISTOR	470Ω 1/16W J	
C9727	NCB31CK-104X	C CAPACITOR	0.1uF 16V K		R9107	NRSA63J-102X	MG RESISTOR	1kΩ 1/16W J	
C9741	QERF1CM-106Z	E CAPACITOR	10uF 16V M		R9108	NRSA63J-102X	MG RESISTOR	1kΩ 1/16W J	
C9742	QERF1CM-106Z	E CAPACITOR	10uF 16V M		R9109	NRSA63J-103X	MG RESISTOR	10kΩ 1/16W J	
C9743	QERF1CM-106Z	E CAPACITOR	10uF 16V M		R9110	NRSA63J-103X	MG RESISTOR	10kΩ 1/16W J	
C9744	QERF1CM-106Z	E CAPACITOR	10uF 16V M		R9111	NRSA63J-103X	MG RESISTOR	10kΩ 1/16W J	
C9801	NCB31HK-682X	C CAPACITOR	6800pF 50V K		R9113	NRSA63J-102X	MG RESISTOR	1kΩ 1/16W J	
C9802	NCB31HK-332X	C CAPACITOR	3300pF 50V K		R9114	NRSA63J-103X	MG RESISTOR	10kΩ 1/16W J	
C9803	NCB31HK-561X	C CAPACITOR	560pF 50V K		R9115	NRSA63J-103X	MG RESISTOR	10kΩ 1/16W J	
C9804	NCB31HK-471X	C CAPACITOR	470pF 50V K		R9116	NRSA63J-103X	MG RESISTOR	10kΩ 1/16W J	
C9805	NCB31HK-561X	C CAPACITOR	560pF 50V K		R9117	NRSA63J-103X	MG RESISTOR	10kΩ 1/16W J	
C9806	NCB31HK-471X	C CAPACITOR	470pF 50V K		R9118	NRSA63J-103X	MG RESISTOR	10kΩ 1/16W J	
C9807	NCB31HK-221X	C CAPACITOR	220pF 50V K		R9119	NRSA63J-103X	MG RESISTOR	10kΩ 1/16W J	
C9809	NCB31HK-561X	C CAPACITOR	560pF 50V K		R9120	NRSA63J-103X	MG RESISTOR	10kΩ 1/16W J	
C9810	NCS31HJ-330X	C CAPACITOR	33pF 50V J		R9121	NRSA63J-103X	MG RESISTOR	10kΩ 1/16W J	
C9811	QERF1EM-475Z	E CAPACITOR	4.7uF 25V M		R9122	NRSA63J-103X	MG RESISTOR	10kΩ 1/16W J	
C9812	QERF1EM-475Z	E CAPACITOR	4.7uF 25V M		R9123	NRSA63J-103X	MG RESISTOR	10kΩ 1/16W J	
C9813	NCB31HK-222X	C CAPACITOR	2200pF 50V K		R9124	NRSA63J-103X	MG RESISTOR	10kΩ 1/16W J	
C9814	NCB31HK-222X	C CAPACITOR	2200pF 50V K		R9125	NRSA63J-103X	MG RESISTOR	10kΩ 1/16W J	
C9815	NCB31CK-333X	C CAPACITOR	0.033uF 16V K		R9126	NRSA63J-103X	MG RESISTOR	10kΩ 1/16W J	
C9816	NCB31CK-823X	C CAPACITOR	0.082uF 16V K		R9127	NRSA63J-103X	MG RESISTOR	10kΩ 1/16W J	
C9817	NCB31CK-333X	C CAPACITOR	0.033uF 16V K		R9128	NRSA63J-103X	MG RESISTOR	10kΩ 1/16W J	
C9818	NCB31CK-823X	C CAPACITOR	0.082uF 16V K		R9129	NRSA63J-103X	MG RESISTOR	10kΩ 1/16W J	
C9820	NCB31CK-104X	C CAPACITOR	0.1uF 16V K		R9130	NRSA63J-103X	MG RESISTOR	10kΩ 1/16W J	
C9821	NCB31CK-104X	C CAPACITOR	0.1uF 16V K		R9135	NRSA63J-103X	MG RESISTOR	10kΩ 1/16W J	
C9822	NCB31CK-104X	C CAPACITOR	0.1uF 16V K		R9140	NRSA63J-0R0X	MG RESISTOR	0Ω 1/16W J	
C9823	NCB31CK-104X	C CAPACITOR	0.1uF 16V K		R9141	NRSA63J-221X	MG RESISTOR	220Ω 1/16W J	
C9824	QERF0JM-476Z	E CAPACITOR	47uF 6.3V M		R9143	NRSA63J-0R0X	MG RESISTOR	0Ω 1/16W J	
C9825	QERF1CM-106Z	E CAPACITOR	10uF 16V M		R9144	NRSA63J-0R0X	MG RESISTOR	0Ω 1/16W J	
C9827	QERF1CM-106Z	E CAPACITOR	10uF 16V M		R9145	NRSA63J-0R0X	MG RESISTOR	0Ω 1/16W J	
C9830	NCB31CK-104X	C CAPACITOR	0.1uF 16V K		R9148	NRSA63J-0R0X	MG RESISTOR	0Ω 1/16W J	
C9831	NCB31CK-104X	C CAPACITOR	0.1uF 16V K		R9151	NRSA63J-105X	MG RESISTOR	1MΩ 1/16W J	
C9832	NCB31CK-104X	C CAPACITOR	0.1uF 16V K		R9152	NRSA63J-101X	MG RESISTOR	100Ω 1/16W J	

△ Symbol No.	Part No.	Part Name	Description	Local	△ Symbol No.	Part No.	Part Name	Description	Local
R9154	NRSA63J-0R0X	MG RESISTOR	0Ω 1/16W J		R9704	NRSA63J-472X	MG RESISTOR	4.7kΩ 1/16W J	
R9157	NRSA63J-0R0X	MG RESISTOR	0Ω 1/16W J		R9705	NRSA63J-472X	MG RESISTOR	4.7kΩ 1/16W J	
R9161	NRSA63J-470X	MG RESISTOR	47Ω 1/16W J		R9706	NRSA63J-472X	MG RESISTOR	4.7kΩ 1/16W J	
R9201	NRSA63J-332X	MG RESISTOR	3.3kΩ 1/16W J		R9707	NRSA63J-181X	MG RESISTOR	180Ω 1/16W J	
R9203	NRSA63J-471X	MG RESISTOR	470Ω 1/16W J		R9708	NRSA63J-181X	MG RESISTOR	180Ω 1/16W J	
R9204	NRSA63J-221X	MG RESISTOR	220Ω 1/16W J		R9709	NRSA63J-181X	MG RESISTOR	180Ω 1/16W J	
R9205	NRSA63J-103X	MG RESISTOR	10kΩ 1/16W J		R9710	NRSA63J-181X	MG RESISTOR	180Ω 1/16W J	
R9206	NRSA63J-103X	MG RESISTOR	10kΩ 1/16W J		R9711	NRSA63J-472X	MG RESISTOR	4.7kΩ 1/16W J	
R9207	NRSA63J-471X	MG RESISTOR	470Ω 1/16W J		R9712	NRSA63J-472X	MG RESISTOR	4.7kΩ 1/16W J	
R9208	NRSA63J-471X	MG RESISTOR	470Ω 1/16W J		R9713	NRSA63J-103X	MG RESISTOR	10kΩ 1/16W J	
R9209	NRSA63J-103X	MG RESISTOR	10kΩ 1/16W J		R9714	NRSA63J-103X	MG RESISTOR	10kΩ 1/16W J	
R9211	NRSA63J-0R0X	MG RESISTOR	0Ω 1/16W J		R9715	NRSA63J-103X	MG RESISTOR	10kΩ 1/16W J	
R9212	NRSA63J-0R0X	MG RESISTOR	0Ω 1/16W J		R9716	NRSA63J-103X	MG RESISTOR	10kΩ 1/16W J	
R9213	NRSA63J-471X	MG RESISTOR	470Ω 1/16W J		R9717	NRSA63J-103X	MG RESISTOR	10kΩ 1/16W J	
R9214	NRSA63J-471X	MG RESISTOR	470Ω 1/16W J		R9718	NRSA63J-103X	MG RESISTOR	10kΩ 1/16W J	
R9215	NRSA63J-0R0X	MG RESISTOR	0Ω 1/16W J		R9719	NRSA63J-0R0X	MG RESISTOR	0Ω 1/16W J	
R9216	NRSA63J-0R0X	MG RESISTOR	0Ω 1/16W J		R9720	NRSA63J-0R0X	MG RESISTOR	0Ω 1/16W J	
R9217	NRSA63J-0R0X	MG RESISTOR	0Ω 1/16W J		R9721	NRSA63J-623X	MG RESISTOR	62kΩ 1/16W J	
R9501	NRSA63J-223X	MG RESISTOR	22kΩ 1/16W J		R9722	NRSA63J-623X	MG RESISTOR	62kΩ 1/16W J	
R9502	NRSA63J-223X	MG RESISTOR	22kΩ 1/16W J		R9723	NRSA63J-433X	MG RESISTOR	43kΩ 1/16W J	
R9503	NRSA63J-0R0X	MG RESISTOR	0Ω 1/16W J		R9724	NRSA63J-433X	MG RESISTOR	43kΩ 1/16W J	
R9504	NRSA63J-0R0X	MG RESISTOR	0Ω 1/16W J		R9725	NRSA63J-333X	MG RESISTOR	33kΩ 1/16W J	
R9505	NRSA63J-103X	MG RESISTOR	10kΩ 1/16W J		R9726	NRSA63J-333X	MG RESISTOR	33kΩ 1/16W J	
R9506	NRSA63J-103X	MG RESISTOR	10kΩ 1/16W J		R9727	NRSA63J-0R0X	MG RESISTOR	0Ω 1/16W J	
R9507	NRSA63J-0R0X	MG RESISTOR	0Ω 1/16W J		R9728	NRSA63J-0R0X	MG RESISTOR	0Ω 1/16W J	
R9508	NRSA63J-0R0X	MG RESISTOR	0Ω 1/16W J		R9731	NRSA63J-104X	MG RESISTOR	100kΩ 1/16W J	
R9509	NRSA63J-223X	MG RESISTOR	22kΩ 1/16W J		R9732	NRSA63J-104X	MG RESISTOR	100kΩ 1/16W J	
R9510	NRSA63J-223X	MG RESISTOR	22kΩ 1/16W J		R9733	NRSA63J-102X	MG RESISTOR	1kΩ 1/16W J	
R9511	NRSA63J-223X	MG RESISTOR	22kΩ 1/16W J		R9734	NRSA63J-102X	MG RESISTOR	1kΩ 1/16W J	
R9512	NRSA63J-223X	MG RESISTOR	22kΩ 1/16W J		R9735	NRSA63J-822X	MG RESISTOR	8.2kΩ 1/16W J	
R9513	NRSA63J-331X	MG RESISTOR	330Ω 1/16W J		R9736	NRSA63J-822X	MG RESISTOR	8.2kΩ 1/16W J	
R9514	NRSA63J-331X	MG RESISTOR	330Ω 1/16W J		R9739	NRSA63J-105X	MG RESISTOR	1MΩ 1/16W J	
R9515	NRSA63J-331X	MG RESISTOR	330Ω 1/16W J		R9740	NRSA63J-222X	MG RESISTOR	2.2kΩ 1/16W J	
R9516	NRSA63J-331X	MG RESISTOR	330Ω 1/16W J		R9741	NRSA63J-222X	MG RESISTOR	2.2kΩ 1/16W J	
R9601	NRSA63J-472X	MG RESISTOR	4.7kΩ 1/16W J		R9742	NRSA63J-104X	MG RESISTOR	100kΩ 1/16W J	
R9602	NRSA63J-472X	MG RESISTOR	4.7kΩ 1/16W J		R9801	NRSA63J-472X	MG RESISTOR	4.7kΩ 1/16W J	
R9603	NRSA63J-472X	MG RESISTOR	4.7kΩ 1/16W J		R9802	NRSA63J-472X	MG RESISTOR	4.7kΩ 1/16W J	
R9604	NRSA63J-472X	MG RESISTOR	4.7kΩ 1/16W J		R9803	NRSA63J-472X	MG RESISTOR	4.7kΩ 1/16W J	
R9605	NRSA63J-472X	MG RESISTOR	4.7kΩ 1/16W J		R9804	NRSA63J-472X	MG RESISTOR	4.7kΩ 1/16W J	
R9606	NRSA63J-472X	MG RESISTOR	4.7kΩ 1/16W J		R9805	NRSA63J-181X	MG RESISTOR	180Ω 1/16W J	
R9607	NRSA63J-181X	MG RESISTOR	180Ω 1/16W J		R9806	NRSA63J-181X	MG RESISTOR	180Ω 1/16W J	
R9608	NRSA63J-181X	MG RESISTOR	180Ω 1/16W J		R9807	NRSA63J-181X	MG RESISTOR	180Ω 1/16W J	
R9609	NRSA63J-181X	MG RESISTOR	180Ω 1/16W J		R9808	NRSA63J-181X	MG RESISTOR	180Ω 1/16W J	
R9610	NRSA63J-181X	MG RESISTOR	180Ω 1/16W J		R9809	NRSA63J-362X	MG RESISTOR	3.6kΩ 1/16W J	
R9611	NRSA63J-472X	MG RESISTOR	4.7kΩ 1/16W J		R9810	NRSA63J-472X	MG RESISTOR	4.7kΩ 1/16W J	
R9612	NRSA63J-472X	MG RESISTOR	4.7kΩ 1/16W J		R9811	NRSA63J-362X	MG RESISTOR	3.6kΩ 1/16W J	
R9613	NRSA63J-103X	MG RESISTOR	10kΩ 1/16W J		R9812	NRSA63J-472X	MG RESISTOR	4.7kΩ 1/16W J	
R9614	NRSA63J-103X	MG RESISTOR	10kΩ 1/16W J		R9813	NRSA63J-103X	MG RESISTOR	10kΩ 1/16W J	
R9615	NRSA63J-103X	MG RESISTOR	10kΩ 1/16W J		R9814	NRSA63J-563X	MG RESISTOR	56kΩ 1/16W J	
R9616	NRSA63J-103X	MG RESISTOR	10kΩ 1/16W J		R9815	NRSA63J-103X	MG RESISTOR	10kΩ 1/16W J	
R9617	NRSA63J-103X	MG RESISTOR	10kΩ 1/16W J		R9816	NRSA63J-473X	MG RESISTOR	47kΩ 1/16W J	
R9618	NRSA63J-103X	MG RESISTOR	10kΩ 1/16W J		R9817	NRSA63J-104X	MG RESISTOR	100kΩ 1/16W J	
R9619	NRSA63J-0R0X	MG RESISTOR	0Ω 1/16W J		R9818	NRSA63J-104X	MG RESISTOR	100kΩ 1/16W J	
R9620	NRSA63J-0R0X	MG RESISTOR	0Ω 1/16W J		R9819	NRSA63J-102X	MG RESISTOR	1kΩ 1/16W J	
R9621	NRSA63J-623X	MG RESISTOR	62kΩ 1/16W J		R9820	NRSA63J-102X	MG RESISTOR	1kΩ 1/16W J	
R9622	NRSA63J-623X	MG RESISTOR	62kΩ 1/16W J		R9821	NRSA63J-822X	MG RESISTOR	8.2kΩ 1/16W J	
R9623	NRSA63J-303X	MG RESISTOR	30kΩ 1/16W J		R9822	NRSA63J-822X	MG RESISTOR	8.2kΩ 1/16W J	
R9624	NRSA63J-303X	MG RESISTOR	30kΩ 1/16W J		R9824	NRSA63J-103X	MG RESISTOR	10kΩ 1/16W J	
R9625	NRSA63J-333X	MG RESISTOR	33kΩ 1/16W J		R9825	NRSA63J-103X	MG RESISTOR	10kΩ 1/16W J	
R9626	NRSA63J-333X	MG RESISTOR	33kΩ 1/16W J		R9826	NRSA63J-100X	MG RESISTOR	10Ω 1/16W J	
R9627	NRSA63J-0R0X	MG RESISTOR	0Ω 1/16W J		R9827	NRSA63J-103X	MG RESISTOR	10kΩ 1/16W J	
R9628	NRSA63J-0R0X	MG RESISTOR	0Ω 1/16W J		R9828	NRSA63J-103X	MG RESISTOR	10kΩ 1/16W J	
R9629	NRSA63J-333X	MG RESISTOR	33kΩ 1/16W J		R9829	NRSA63J-100X	MG RESISTOR	10Ω 1/16W J	
R9630	NRSA63J-333X	MG RESISTOR	33kΩ 1/16W J		R9833	NRSA63J-473X	MG RESISTOR	47kΩ 1/16W J	
R9631	NRSA63J-104X	MG RESISTOR	100kΩ 1/16W J		R9834	NRSA63J-473X	MG RESISTOR	47kΩ 1/16W J	
R9632	NRSA63J-104X	MG RESISTOR	100kΩ 1/16W J		R9836	NRSA63J-102X	MG RESISTOR	1kΩ 1/16W J	
R9633	NRSA63J-102X	MG RESISTOR	1kΩ 1/16W J		R9837	NRSA63J-105X	MG RESISTOR	1MΩ 1/16W J	
R9634	NRSA63J-102X	MG RESISTOR	1kΩ 1/16W J						
R9635	NRSA63J-822X	MG RESISTOR	8.2kΩ 1/16W J		L9101	NQL085J-100X	COIL	10uH J	
R9636	NRSA63J-822X	MG RESISTOR	8.2kΩ 1/16W J						
R9639	NRSA63J-105X	MG RESISTOR	1MΩ 1/16W J		CN901	QGB2027L1-26X	CONNECTOR	B-B (1-26)	
R9640	NRSA63J-222X	MG RESISTOR	2.2kΩ 1/16W J		CN902	QGF0501F1-08X	CONNECTOR	FFC/FPC (1-8)	
R9641	NRSA63J-222X	MG RESISTOR	2.2kΩ 1/16W J		K9201	NQR0269-004X	FERRITE BEADS		
R9642	NRSA63J-104X	MG RESISTOR	100kΩ 1/16W J		X9001	QAX0719-001Z	C RESONATOR	6.144MHz	
R9645	NRSA63J-104X	MG RESISTOR	100kΩ 1/16W J		X9101	QAX0722-001Z	CRYSTAL	24.576MHz	
R9701	NRSA63J-472X	MG RESISTOR	4.7kΩ 1/16W J						
R9702	NRSA63J-472X	MG RESISTOR	4.7kΩ 1/16W J						
R9703	NRSA63J-472X	MG RESISTOR	4.7kΩ 1/16W J						

Front end board

Block No. [0][6]

△ Symbol No.	Part No.	Part Name	Description	Local
	IC101	AN8703FH-V	IC	
	IC201	BA5983FM-X	IC	
	IC251	BA6679FM-X	LSI	
	IC271	CD74HC4053NS-X	IC	
△	IC301	MN103S26EDC-H	IC	
△	IC401	MN102H60GDF	IC	
	IC451	BR93L66F-W-X	IC	
	Q101	KTA1001/Y/-X	TRANSISTOR	
	Q102	KTA1001/Y/-X	TRANSISTOR	
	Q103	DTA144EE-X	DIGI TRANSISTOR	
	Q401	DTC144EE-X	DIGI TRANSISTOR	
	Q402	DTC144EE-X	DIGI TRANSISTOR	
	D101	RB521S-30-X	SB DIODE	
	D271	UDZS5.1B-X	Z DIODE	
	C105	NBE40JM-476X	TA E CAPACITOR	47uF 6.3V M
	C106	NBE40JM-476X	TA E CAPACITOR	47uF 6.3V M
	C109	NCB21CK-104X	C CAPACITOR	0.1uF 16V K
	C110	NCS31HJ-221X	C CAPACITOR	220pF 50V J
	C111	NCB31CK-104X	C CAPACITOR	0.1uF 16V K
	C112	NCB31CK-104X	C CAPACITOR	0.1uF 16V K
	C113	NBE41AM-226X	TA E CAPACITOR	22uF 10V M
	C115	NCB31CK-104X	C CAPACITOR	0.1uF 16V K
	C116	NCB31CK-104X	C CAPACITOR	0.1uF 16V K
	C117	NCB31CK-473X	C CAPACITOR	0.047uF 16V K
	C118	NCB31CK-273X	C CAPACITOR	0.027uF 16V K
	C119	NCB31HK-561X	C CAPACITOR	560pF 50V K
	C120	NCB31HK-561X	C CAPACITOR	560pF 50V K
	C121	NCB31CK-104X	C CAPACITOR	0.1uF 16V K
	C122	NCS31HJ-120X	C CAPACITOR	12pF 50V J
	C123	NCB31CK-104X	C CAPACITOR	0.1uF 16V K
	C124	NCS31HJ-470X	C CAPACITOR	47pF 50V J
	C125	NCS31HJ-271X	C CAPACITOR	270pF 50V J
	C126	NCB31CK-104X	C CAPACITOR	0.1uF 16V K
	C127	NCB31CK-104X	C CAPACITOR	0.1uF 16V K
	C128	NCB31CK-104X	C CAPACITOR	0.1uF 16V K
	C129	NCB31HK-472X	C CAPACITOR	4700pF 50V K
	C135	NBE41AM-476X	TA E CAPACITOR	47uF 10V M
	C137	NBE40JM-476X	TA E CAPACITOR	47uF 6.3V M
	C138	NCB31CK-104X	C CAPACITOR	0.1uF 16V K
	C139	NCB31CK-104X	C CAPACITOR	0.1uF 16V K
	C141	NCB31CK-104X	C CAPACITOR	0.1uF 16V K
	C142	NCB31CK-104X	C CAPACITOR	0.1uF 16V K
	C143	NCB31CK-104X	C CAPACITOR	0.1uF 16V K
	C144	NCB31CK-103X	C CAPACITOR	0.01uF 16V K
	C146	NCB31CK-104X	C CAPACITOR	0.1uF 16V K
	C150	NCB31HK-102X	C CAPACITOR	1000pF 50V K
	C151	NCB31HK-102X	C CAPACITOR	1000pF 50V K
	C152	NCB31HK-102X	C CAPACITOR	1000pF 50V K
	C153	NCB31HK-102X	C CAPACITOR	1000pF 50V K
	C201	NEA71CM-107X	E CAPACITOR	100uF 16V M
	C202	NEA71CM-107X	E CAPACITOR	100uF 16V M
	C203	NCB31CK-104X	C CAPACITOR	0.1uF 16V K
	C204	NCB31CK-104X	C CAPACITOR	0.1uF 16V K
	C205	NCS31HJ-121X	C CAPACITOR	120pF 50V J
	C207	NCS31HJ-391X	C CAPACITOR	390pF 50V J
	C208	NCS31HJ-391X	C CAPACITOR	390pF 50V J
	C210	NCB31HK-223X	C CAPACITOR	0.022uF 50V K
	C215	NCB31CK-104X	C CAPACITOR	0.1uF 16V K
	C217	NCB31CK-104X	C CAPACITOR	0.1uF 16V K
	C251	NCB31CK-104X	C CAPACITOR	0.1uF 16V K
	C252	NEA71CM-107X	E CAPACITOR	100uF 16V M
	C253	NCB31CK-104X	C CAPACITOR	0.1uF 16V K
	C256	NCB31CK-104X	C CAPACITOR	0.1uF 16V K
	C257	NCB31CK-104X	C CAPACITOR	0.1uF 16V K
	C258	NCB31CK-104X	C CAPACITOR	0.1uF 16V K
	C259	NCB31CK-104X	C CAPACITOR	0.1uF 16V K
	C260	NCB31CK-104X	C CAPACITOR	0.1uF 16V K
	C261	NCB31CK-104X	C CAPACITOR	0.1uF 16V K
	C262	NCB31CK-104X	C CAPACITOR	0.1uF 16V K
	C263	NCB31CK-104X	C CAPACITOR	0.1uF 16V K
	C264	NCB31CK-103X	C CAPACITOR	0.01uF 16V K

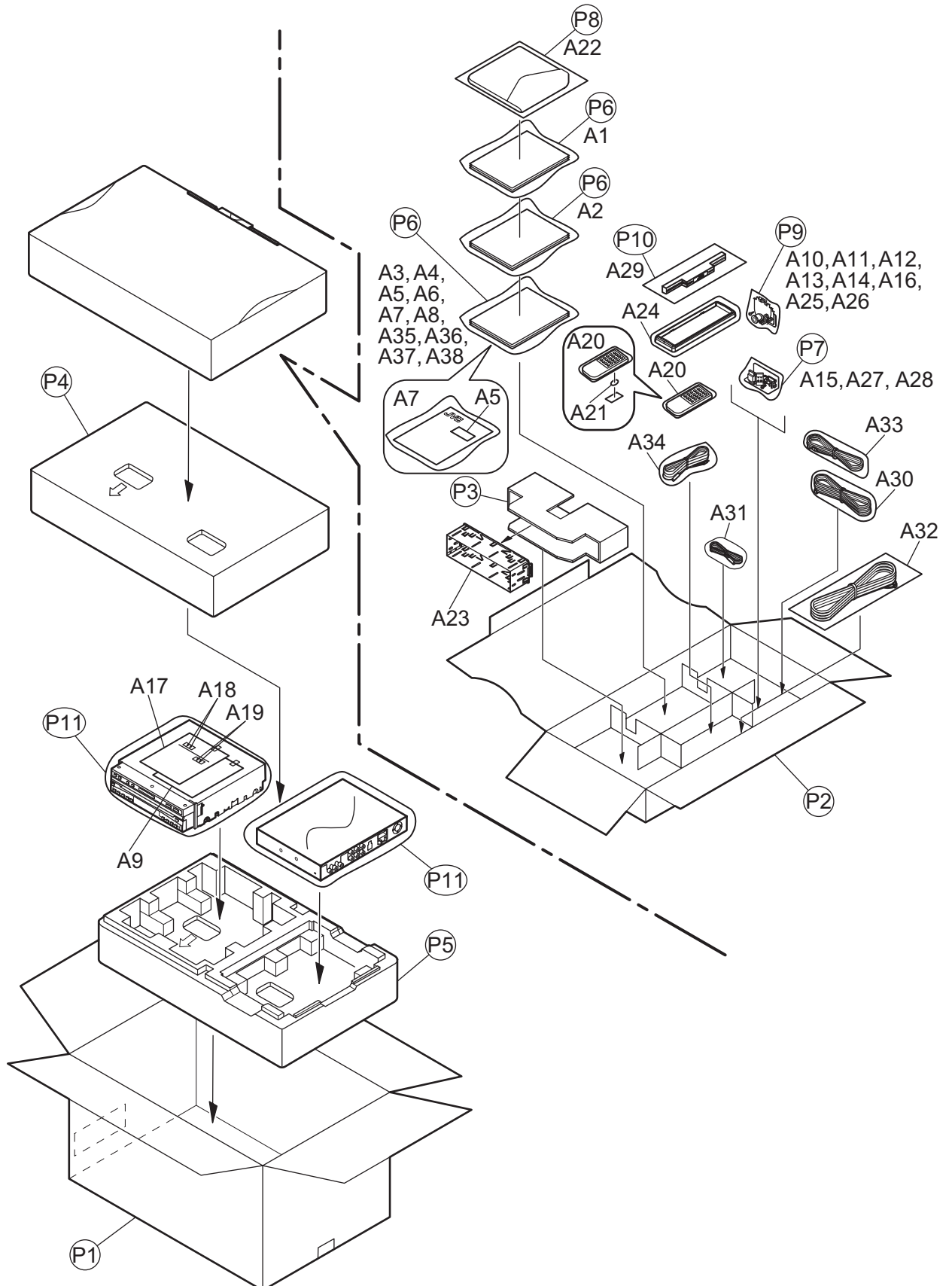
△ Symbol No.	Part No.	Part Name	Description	Local
	C271	NCB21CK-105X	C CAPACITOR	1uF 16V K
	C272	NCB21CK-105X	C CAPACITOR	1uF 16V K
	C301	NCB31CK-104X	C CAPACITOR	0.1uF 16V K
	C302	NCB31CK-104X	C CAPACITOR	0.1uF 16V K
	C303	NCB31CK-104X	C CAPACITOR	0.1uF 16V K
	C304	NBE40JM-476X	TA E CAPACITOR	47uF 6.3V M
	C305	NBE20JM-106X	TA E CAPACITOR	10uF 6.3V M
	C306	NBE40JM-476X	TA E CAPACITOR	47uF 6.3V M
	C308	NBE40GM-476X	TA E CAPACITOR	47uF 4V M
	C310	NCB31CK-104X	C CAPACITOR	0.1uF 16V K
	C311	NCB31HK-561X	C CAPACITOR	560pF 50V K
	C312	NCB31HK-561X	C CAPACITOR	560pF 50V K
	C313	NCB31HK-561X	C CAPACITOR	560pF 50V K
	C314	NCB31HK-331X	C CAPACITOR	330pF 50V K
	C315	NCB31HK-471X	C CAPACITOR	470pF 50V K
	C316	NCS31HJ-271X	C CAPACITOR	270pF 50V J
	C317	NCS31HJ-121X	C CAPACITOR	120pF 50V J
	C318	NCB31CK-104X	C CAPACITOR	0.1uF 16V K
	C319	NCB31HK-102X	C CAPACITOR	1000pF 50V K
	C320	NCB31HK-102X	C CAPACITOR	1000pF 50V K
	C321	NCB31HK-102X	C CAPACITOR	1000pF 50V K
	C322	NCB31HK-562X	C CAPACITOR	5600pF 50V K
	C323	NCB31HK-102X	C CAPACITOR	1000pF 50V K
	C324	NCB31CK-104X	C CAPACITOR	0.1uF 16V K
	C325	NCS31HJ-470X	C CAPACITOR	47pF 50V J
	C326	NCB31CK-183X	C CAPACITOR	0.018uF 16V K
	C327	NCB31HK-102X	C CAPACITOR	1000pF 50V K
	C328	NCB31CK-104X	C CAPACITOR	0.1uF 16V K
	C329	NCB31CK-103X	C CAPACITOR	0.01uF 16V K
	C330	NCB31CK-104X	C CAPACITOR	0.1uF 16V K
	C331	NCB31CK-103X	C CAPACITOR	0.01uF 16V K
	C332	NCB21CK-105X	C CAPACITOR	1uF 16V K
	C333	NCB31CK-104X	C CAPACITOR	0.1uF 16V K
	C334	NCB31CK-104X	C CAPACITOR	0.1uF 16V K
	C335	NCB31CK-153X	C CAPACITOR	0.015uF 16V K
	C336	NCB31CK-103X	C CAPACITOR	0.01uF 16V K
	C337	NCB31CK-104X	C CAPACITOR	0.1uF 16V K
	C338	NCB31CK-104X	C CAPACITOR	0.1uF 16V K
	C339	NCB31CK-104X	C CAPACITOR	0.1uF 16V K
	C340	NCB31CK-104X	C CAPACITOR	0.1uF 16V K
	C341	NCB31CK-104X	C CAPACITOR	0.1uF 16V K
	C342	NCB31CK-104X	C CAPACITOR	0.1uF 16V K
	C343	NCB31CK-104X	C CAPACITOR	0.1uF 16V K
	C344	NCB31CK-104X	C CAPACITOR	0.1uF 16V K
	C345	NCB31CK-104X	C CAPACITOR	0.1uF 16V K
	C346	NCB31CK-104X	C CAPACITOR	0.1uF 16V K
	C347	NCB31CK-104X	C CAPACITOR	0.1uF 16V K
	C348	NCB31CK-104X	C CAPACITOR	0.1uF 16V K
	C349	NCB31CK-104X	C CAPACITOR	0.1uF 16V K
	C350	NCB31CK-104X	C CAPACITOR	0.1uF 16V K
	C401	NBE40JM-476X	TA E CAPACITOR	47uF 6.3V M
	C402	NCB31HK-103X	C CAPACITOR	0.01uF 50V K
	C403	NCB31CK-104X	C CAPACITOR	0.1uF 16V K
	C404	NCB31CK-104X	C CAPACITOR	0.1uF 16V K
	C405	NCB31CK-104X	C CAPACITOR	0.1uF 16V K
	C406	NCB31CK-104X	C CAPACITOR	0.1uF 16V K
	C407	NCB31CK-104X	C CAPACITOR	0.1uF 16V K
	C409	NDC31HJ-330X	C CAPACITOR	33pF 50V J
	C450	NCB31CK-104X	C CAPACITOR	0.1uF 16V K
	R101	NRSA63J-333X	MG RESISTOR	33kΩ 1/16W J
	R102	NRSA63J-223X	MG RESISTOR	22kΩ 1/16W J
	R103	NRSA63J-223X	MG RESISTOR	22kΩ 1/16W J
	R104	NRS125J-270X	MG RESISTOR	27Ω 1/2W J
	R105	NRS125J-270X	MG RESISTOR	27Ω 1/2W J
	R106	NRSA63J-273X	MG RESISTOR	27kΩ 1/16W J
	R107	NRSA63J-273X	MG RESISTOR	27kΩ 1/16W J
	R108	NRSA63J-222X	MG RESISTOR	2.2kΩ 1/16W J
	R109	NRSA63J-182X	MG RESISTOR	1.8kΩ 1/16W J
	R110	NRSA63J-333X	MG RESISTOR	33kΩ 1/16W J
	R111	NRVA63D-243X	CMF RESISTOR	24kΩ 1/16W D
	R112	NRSA63J-822X	MG RESISTOR	8.2kΩ 1/16W J
	R113	NRSA63J-103X	MG RESISTOR	10kΩ 1/16W J
	R114	NRSA63J-0R0X	MG RESISTOR	0Ω 1/16W J
	R115	NRSA63J-0R0X	MG RESISTOR	0Ω 1/16W J
	R116	NRSA63J-0R0X	MG RESISTOR	0Ω 1/16W J
	R117	NRSA63J-0R0X	MG RESISTOR	0Ω 1/16W J
	R119	NRSA63J-2R2X	MG RESISTOR	2.2Ω 1/16W J

△ Symbol No.	Part No.	Part Name	Description	Local	△ Symbol No.	Part No.	Part Name	Description	Local
R120	NRSA63J-2R2X	MG RESISTOR	2.2Ω 1/16W J		R339	NRSA63J-472X	MG RESISTOR	4.7kΩ 1/16W J	
R125	NRSA63J-105X	MG RESISTOR	1MΩ 1/16W J		R340	NRSA63J-103X	MG RESISTOR	10kΩ 1/16W J	
R126	NRSA63J-105X	MG RESISTOR	1MΩ 1/16W J		R341	NRSA63J-562X	MG RESISTOR	5.6kΩ 1/16W J	
R127	NRSA63J-222X	MG RESISTOR	2.2kΩ 1/16W J		R342	NRSA63J-103X	MG RESISTOR	10kΩ 1/16W J	
R128	NRS125J-1R0X	MG RESISTOR	1Ω 1/2W J		R343	NRSA63J-103X	MG RESISTOR	10kΩ 1/16W J	
R129	NRS125J-1R0X	MG RESISTOR	1Ω 1/2W J		R347	NRSA63J-101X	MG RESISTOR	100Ω 1/16W J	
R130	NRSA63J-182X	MG RESISTOR	1.8kΩ 1/16W J		R348	NRSA63J-101X	MG RESISTOR	100Ω 1/16W J	
R131	NRSA63J-473X	MG RESISTOR	47kΩ 1/16W J		R349	NRSA63J-101X	MG RESISTOR	100Ω 1/16W J	
R201	NRSA63J-470X	MG RESISTOR	47Ω 1/16W J		R350	NRSA63J-101X	MG RESISTOR	100Ω 1/16W J	
R202	NRS125J-1R0X	MG RESISTOR	1Ω 1/2W J		R351	NRSA63J-101X	MG RESISTOR	100Ω 1/16W J	
R203	NRSA63J-0R0X	MG RESISTOR	0Ω 1/16W J		R352	NRSA63J-101X	MG RESISTOR	100Ω 1/16W J	
R204	NRSA63J-563X	MG RESISTOR	56kΩ 1/16W J		R353	NRSA63J-101X	MG RESISTOR	100Ω 1/16W J	
R205	NRSA63J-273X	MG RESISTOR	27kΩ 1/16W J		R354	NRSA63J-101X	MG RESISTOR	100Ω 1/16W J	
R206	NRSA63J-303X	MG RESISTOR	30kΩ 1/16W J		R355	NRSA63J-101X	MG RESISTOR	100Ω 1/16W J	
R207	NRSA63J-683X	MG RESISTOR	68kΩ 1/16W J		R356	NRSA63J-101X	MG RESISTOR	100Ω 1/16W J	
R208	NRSA63J-223X	MG RESISTOR	22kΩ 1/16W J		R357	NRSA63J-101X	MG RESISTOR	100Ω 1/16W J	
R209	NRSA63J-223X	MG RESISTOR	22kΩ 1/16W J		R358	NRSA63J-101X	MG RESISTOR	100Ω 1/16W J	
R210	NRSA63J-103X	MG RESISTOR	10kΩ 1/16W J		R359	NRSA63J-0R0X	MG RESISTOR	0Ω 1/16W J	
R211	NRSA63J-103X	MG RESISTOR	10kΩ 1/16W J		R360	NRSA63J-0R0X	MG RESISTOR	0Ω 1/16W J	
R212	NRSA63J-103X	MG RESISTOR	10kΩ 1/16W J		R361	NRSA63J-0R0X	MG RESISTOR	0Ω 1/16W J	
R216	NRSA63J-0R0X	MG RESISTOR	0Ω 1/16W J		R362	NRSA63J-0R0X	MG RESISTOR	0Ω 1/16W J	
R217	NRSA63J-181X	MG RESISTOR	180Ω 1/16W J		R363	NRSA63J-0R0X	MG RESISTOR	0Ω 1/16W J	
R219	NRSA63J-183X	MG RESISTOR	18kΩ 1/16W J		R364	NRSA63J-0R0X	MG RESISTOR	0Ω 1/16W J	
R220	NRSA63J-243X	MG RESISTOR	24kΩ 1/16W J		R365	NRSA63J-0R0X	MG RESISTOR	0Ω 1/16W J	
R221	NRSA63J-103X	MG RESISTOR	10kΩ 1/16W J		R366	NRSA63J-0R0X	MG RESISTOR	0Ω 1/16W J	
R222	NRSA63J-103X	MG RESISTOR	10kΩ 1/16W J		R367	NRSA63J-0R0X	MG RESISTOR	0Ω 1/16W J	
R223	NRSA63J-0R0X	MG RESISTOR	0Ω 1/16W J		R368	NRSA63J-0R0X	MG RESISTOR	0Ω 1/16W J	
R251	NRS125J-R47X	MG RESISTOR	0.47Ω 1/2W J		R369	NRSA63J-0R0X	MG RESISTOR	0Ω 1/16W J	
R252	NRSA63J-2R2X	MG RESISTOR	2.2Ω 1/16W J		R370	NRSA63J-0R0X	MG RESISTOR	0Ω 1/16W J	
R253	NRSA63J-0R0X	MG RESISTOR	0Ω 1/16W J		R371	NRSA63J-0R0X	MG RESISTOR	0Ω 1/16W J	
R254	NRSA63J-203X	MG RESISTOR	20kΩ 1/16W J		R372	NRSA63J-0R0X	MG RESISTOR	0Ω 1/16W J	
R255	NRSA63J-0R0X	MG RESISTOR	0Ω 1/16W J		R373	NRSA63J-0R0X	MG RESISTOR	0Ω 1/16W J	
R256	NRSA63J-470X	MG RESISTOR	47Ω 1/16W J		R402	NRSA63J-472X	MG RESISTOR	4.7kΩ 1/16W J	
R258	NRSA63J-0R0X	MG RESISTOR	0Ω 1/16W J		R411	NRSA63J-472X	MG RESISTOR	4.7kΩ 1/16W J	
R259	NRSA63J-103X	MG RESISTOR	10kΩ 1/16W J		R413	NRSA63J-472X	MG RESISTOR	4.7kΩ 1/16W J	
R271	NRSA63J-473X	MG RESISTOR	47kΩ 1/16W J		R414	NRSA63J-472X	MG RESISTOR	4.7kΩ 1/16W J	
R272	NRSA63J-0R0X	MG RESISTOR	0Ω 1/16W J		R421	NRSA63J-0R0X	MG RESISTOR	0Ω 1/16W J	
R273	NRSA63J-681X	MG RESISTOR	680Ω 1/16W J		R422	NRSA63J-103X	MG RESISTOR	10kΩ 1/16W J	
R274	NRSA63J-271X	MG RESISTOR	270Ω 1/16W J		R423	NRSA63J-103X	MG RESISTOR	10kΩ 1/16W J	
R275	NRSA63J-471X	MG RESISTOR	470Ω 1/16W J		R424	NRSA63J-472X	MG RESISTOR	4.7kΩ 1/16W J	
R276	NRSA63J-331X	MG RESISTOR	330Ω 1/16W J		R425	NRSA63J-103X	MG RESISTOR	10kΩ 1/16W J	
R281	NRSA63J-561X	MG RESISTOR	560Ω 1/16W J		R427	NRSA63J-680X	MG RESISTOR	68Ω 1/16W J	
R282	NRSA63J-391X	MG RESISTOR	390Ω 1/16W J		R428	NRSA63J-472X	MG RESISTOR	4.7kΩ 1/16W J	
R283	NRSA63J-103X	MG RESISTOR	10kΩ 1/16W J		R429	NRSA63J-473X	MG RESISTOR	47kΩ 1/16W J	
R284	NRSA63J-102X	MG RESISTOR	1kΩ 1/16W J		R431	NRSA63J-472X	MG RESISTOR	4.7kΩ 1/16W J	
R291	NRSA63J-561X	MG RESISTOR	560Ω 1/16W J		R432	NRSA63J-472X	MG RESISTOR	4.7kΩ 1/16W J	
R292	NRSA63J-391X	MG RESISTOR	390Ω 1/16W J		R433	NRSA63J-473X	MG RESISTOR	47kΩ 1/16W J	
R293	NRSA63J-103X	MG RESISTOR	10kΩ 1/16W J		R434	NRSA63J-103X	MG RESISTOR	10kΩ 1/16W J	
R294	NRSA63J-102X	MG RESISTOR	1kΩ 1/16W J		R435	NRSA63J-104X	MG RESISTOR	100kΩ 1/16W J	
R301	NRSA63J-473X	MG RESISTOR	47kΩ 1/16W J		R436	NRSA63J-0R0X	MG RESISTOR	0Ω 1/16W J	
R302	NRSA63J-473X	MG RESISTOR	47kΩ 1/16W J		R437	NRSA63J-0R0X	MG RESISTOR	0Ω 1/16W J	
R303	NRSA63J-473X	MG RESISTOR	47kΩ 1/16W J		R438	NRSA63J-0R0X	MG RESISTOR	0Ω 1/16W J	
R304	NRSA63J-473X	MG RESISTOR	47kΩ 1/16W J		R439	NRSA63J-0R0X	MG RESISTOR	0Ω 1/16W J	
R305	NRSA63J-473X	MG RESISTOR	47kΩ 1/16W J		R440	NRSA63J-101X	MG RESISTOR	100Ω 1/16W J	
R306	NRSA63J-473X	MG RESISTOR	47kΩ 1/16W J		R441	NRSA63J-0R0X	MG RESISTOR	0Ω 1/16W J	
R307	NRSA63J-473X	MG RESISTOR	47kΩ 1/16W J		R442	NRSA63J-101X	MG RESISTOR	100Ω 1/16W J	
R308	NRSA63J-0R0X	MG RESISTOR	0Ω 1/16W J		R443	NRSA63J-0R0X	MG RESISTOR	0Ω 1/16W J	
R309	NRSA63J-473X	MG RESISTOR	47kΩ 1/16W J						
R313	NRSA63J-473X	MG RESISTOR	47kΩ 1/16W J		CN101	QGF0522F1-30W	CONNECTOR	FFC/FPC (1-30)	
R317	NRSA63J-473X	MG RESISTOR	47kΩ 1/16W J		CN201	QGF1038F1-11X	CONNECTOR	FFC/FPC (1-11)	
R319	NRSA63J-473X	MG RESISTOR	47kΩ 1/16W J		CN202	QGF0523F1-05W	CONNECTOR	FFC/FPC (1-5)	
R320	NRSA63J-105X	MG RESISTOR	1MΩ 1/16W J		CN401	QGF0534F1-50X	CONNECTOR	FFC/FPC (1-50)	
R321	NRSA63J-473X	MG RESISTOR	47kΩ 1/16W J		K101	NQR0007-002X	FERRITE BEADS		
R323	NRSA63J-473X	MG RESISTOR	47kΩ 1/16W J		K301	NQR0007-002X	FERRITE BEADS		
R324	NRSA63J-473X	MG RESISTOR	47kΩ 1/16W J		K302	NQR0007-002X	FERRITE BEADS		
R325	NRSA63J-123X	MG RESISTOR	12kΩ 1/16W J		K303	NQR0007-002X	FERRITE BEADS		
R326	NRSA63J-473X	MG RESISTOR	47kΩ 1/16W J		K304	NQR0007-002X	FERRITE BEADS		
R327	NRSA63J-105X	MG RESISTOR	1MΩ 1/16W J		K401	NQR0007-002X	FERRITE BEADS		
R328	NRSA63J-153X	MG RESISTOR	15kΩ 1/16W J		SW4	NSW0184-001X	DETECT SW		
R329	NRSA63J-473X	MG RESISTOR	47kΩ 1/16W J		SW5	NSW0183-001X	DETECT SW		
R330	NRSA63J-473X	MG RESISTOR	47kΩ 1/16W J		X301	NAX0542-001X	C RESONATOR	16.93MHz	
R331	NRSA63J-473X	MG RESISTOR	47kΩ 1/16W J		X401	NAX0543-001X	C RESONATOR	13.50MHz	
R332	NRSA63J-102X	MG RESISTOR	1kΩ 1/16W J						
R333	NRSA63J-183X	MG RESISTOR	18kΩ 1/16W J						
R334	NRSA63J-102X	MG RESISTOR	1kΩ 1/16W J						
R336	NRSA63J-273X	MG RESISTOR	27kΩ 1/16W J						
R337	NRSA63J-273X	MG RESISTOR	27kΩ 1/16W J						
R338	NRSA63J-472X	MG RESISTOR	4.7kΩ 1/16W J						

Packing materials and accessories parts list

Block No. M 3 M M

No additional / supplemental order of WARRANTY CARDS are available



Packing and Accessories

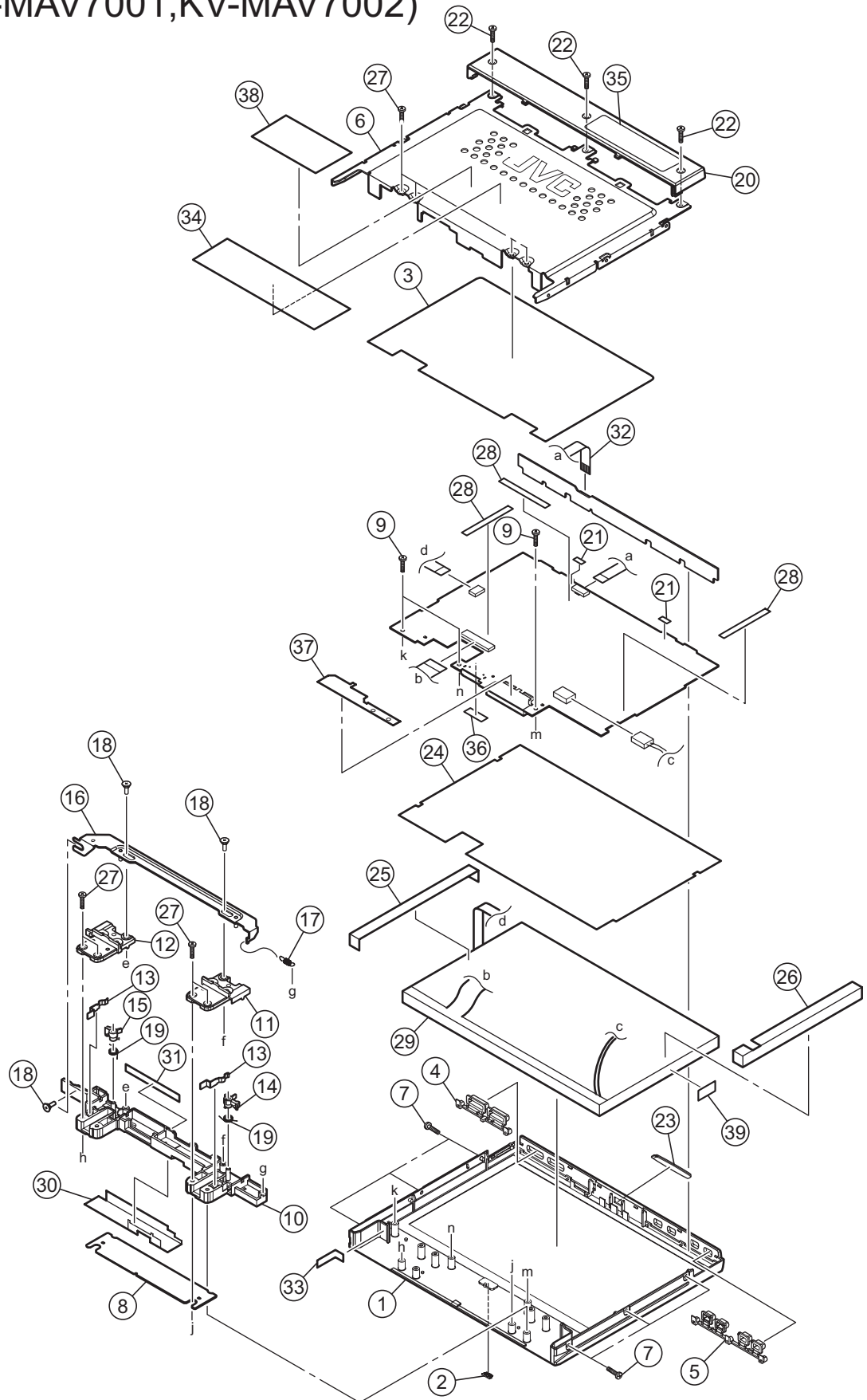
Block No. [M][3][M][M]

△ Symbol No.	Part No.	Part Name	Description	Local
A 1	LVT1171-001A	INST BOOK	ENG SPA FRE	AV7000J
A 1	LVT1172-001B	INST BOOK	ENG GER FRE DUT	AV7001E
A 1	LVT1172-003B	INST BOOK	ENG SPA FRE TUR	AV7001EU
A 1	LVT1173-001A	INST BOOK	ENG CHI(TAIWAN) THA	AV7005U
A 1	LVT1173-003A	INST BOOK	ENG INA	AV7005UN
A 1	LVT1174-001A	INST BOOK	ENG	AV7008A
A 2	LVT1172-002B	INST BOOK	SPA ITA SWE RUS	AV7001E
A 2	LVT1172-004B	INST BOOK	PER ARA	AV7001EU
A 3	LVT1171-002A	INST BOOK	ENG SPA FRE	AV7000J
A 3	LVT1172-005A	INST BOOK	ENG GER FRE DUT	AV7001E
A 3	LVT1172-007A	INST BOOK	ENG SPA FRE TUR	AV7001EU
A 3	LVT1173-002A	INST BOOK	ENG CHI(TAIWAN) THA	AV7005U
A 3	LVT1173-004A	INST BOOK	ENG INA	AV7005UN
A 3	LVT1174-002A	INST BOOK	ENG	AV7008A
A 4	LVT1172-006A	INST BOOK	SPA ITA SWE RUS	AV7001E
A 4	LVT1172-008A	INST BOOK	ARA PER	AV7001EU
A 5	VND3046-001	SERIAL TICKET		AV7001E,AV7001EU
A 6	VND3050-002	IDENTITY CARD		AV7001E
A 7	-----	WARRANTY CARD	BT-54013-7	AV7001E,AV7001EU
A 8	LVT1326-001A	ERRATA SHEET		AV7001E,AV7001EU
A 9	LVT1318-001A	CAUTION SHEET		
A 10	VKZ4027-202	PLUG NUT		
A 11	VKH4871-003	MOUNT BOLT		
A 12	VKZ4328-003	LOCK NUT		
A 13	WNS5000Z	WASHER		
A 14	LV35136-001A	HOOK	(x2)	
A 15	LV41478-002A	CORD CONNECTOR	(x2)	
A 16	LV35135-002A	SIDE SPRING B	(x2)	
A 17	LV44141-001A	CAUTION SHEET		
A 18	VKZ4777-008	MINI SCREW	(x2)	AV7001EU,AV7005UN
A 18	VKZ4777-003	MINI SCREW	(x2)	AV7000J,AV7001E,AV7005U,AV7008A
A 19	QYSDSF2006MA	TAP SCREW	M2 x 6mm(x2)	
A 20	RM-RK220	REMOCON		
A 21	-----	BATTERY		
A 22	LV44039-003A	SOFT CASE		
A 23	LV21778-001A	MOUNTING SLEEVE		
A 24	LV21779-002A	TRIM PLATE		AV7005U,AV7005UN
A 24	LV21779-001A	TRIM PLATE		AV7000J,AV7001E,AV7001EU,AV7008A
A 25	LV35134-002A	SIDE SPRING A	(x2)	
A 26	QYSSSP5006ZA	SCREW	M5 x 6mm(x2)	
A 27	LV34912-002A	SIDE BKT	(x2)	
A 28	QYSDSP4008MA	SCREW	M4 x 8mm(x4)	
A 29	LV10992-001A	BLIND COVER		
A 30	QAM0612-001	CAR CABLE	AV bus cable-2.5m	
A 31	QAM0618-001	CAR CABLE	For main unit	AV7001E,AV7001EU
A 31	QAM0619-001	CAR CABLE	For main unit	AV7000J,AV7005U,AV7005UN,AV7008A
A 32	QAM0625-001	CAR CABLE	For hideaway unit	AV7000J
A 32	QAM0623-001	CAR CABLE	For hideaway unit	AV7001E,AV7001EU
A 32	QAM0624-001	CAR CABLE	For hideaway unit	AV7005U,AV7005UN,AV7008A
A 33	QAM0616-001	CAR CABLE	Center SPK/rear camera cord	
A 34	QAM0615-001	CAR CABLE	EXT. ANT. cord	
A 35	LVT1175-001A	IMPORTANT SHEET		AV7000J
A 36	-----	WARRANTY CARD	BT-51018-4	AV7000J
A 37	BT-51028-2	REGISTRATION CARD		AV7000J
A 38	-----	WARRANTY CARD	BT-52006-2	AV7000J
P 1	LV35147-002A	CARTON		AV7000J
P 1	LV35148-002A	CARTON		AV7001E,AV7001EU
P 1	LV35149-002A	CARTON		AV7005U,AV7005UN
P 1	LV35150-002A	CARTON		AV7008A
P 2	LV35157-001A	ACCESSORY BOX		
P 3	LV35441-001A	SPACER		
P 4	LV10947-002A	CUSHION(TOP)		
P 5	LV10948-002A	CUSHION(BOTTOM)		
P 6	FSPG4002-001	POLY BAG	(x3)	AV7001E,AV7001EU
P 6	FSPG4002-001	POLY BAG		AV7000J,AV7005U,AV7005UN,AV7008A
P 7	QPA01001205	POLY BAG	10cm x 12cm	
P 8	QPA01703505P	POLY BAG	17cm x 35cm	
P 9	QPA01001205	POLY BAG	10cm x 12cm	
P 10	QPA01003003	POLY BAG	10cm x 30cm	
P 11	QPC03004315P	POLY BAG	30cm x 43cm(x2)	

Monitor assembly and parts list

(KV-MAV7001, KV-MAV7002)

Block No. M 4 M M



Monitor (KV-MAV7001,KV-MAV7002)

Block No. [M][4][M][M]

△	Symbol No.	Part No.	Part Name	Description	Local
	1	LV10891-018A	DISPLAY PANEL		MAV7001
	1	LV10891-019A	DISPLAY PANEL		MAV7002
	2	GE40204-001A	JVC BADGE		MAV7001
	2	GE40204-002A	JVC BADGE		MAV7002
	3	LV34872-002A	BLIND SHEET		
	4	LV34873-005A	OPEN BUTTON		MAV7001
	4	LV34873-006A	OPEN BUTTON		MAV7002
	5	LV34874-003A	ANGLE BUTTON		MAV7001
	5	LV34874-004A	ANGLE BUTTON		MAV7002
	6	LV21682-006A	DISP BACK PANEL		
	7	LV43819-003A	SPECIAL SCREW	(x6)	MAV7001
	7	LV43819-004A	SPECIAL SCREW	(x6)	MAV7002
	8	LV43753-003A	REINFORCE BKT		
	9	QYSDSF2008M	TAP SCREW	M2 x 8mm(x3)	
	10	LV10918-003A	LOCK BASE		
	11	LV34875-004A	LOCK COVER(L)		
	12	LV34876-003A	LOCK COVER(R)		
	13	LV43754-001A	LOCK SPRING	(x2)	
	14	LV43755-002A	STOPPER(L)		
	15	LV43756-002A	STOPPER(R)		
	16	LV34877-002A	SLIDER ASSY		
	17	LV43758-001A	TEN SPRING		
	18	LV43759-001A	SPECIAL SCREW	(x3)	
	19	LV43760-004A	TOR SPRING	(x2)	
	20	LV34879-001A	DISP REAR COVER		MAV7001
	20	LV34879-002A	DISP REAR COVER		MAV7002
	21	LV40849-013A	SPACER(R)	(x2)	
	22	LV43819-003A	SPECIAL SCREW	(x3)	MAV7001
	22	LV43819-004A	SPECIAL SCREW	(x3)	MAV7002
	23	LV43761-001A	DISPLAY LENS		MAV7001
	23	LV43761-002A	DISPLAY LENS		MAV7002
	24	LV34880-001A	DISP SHEET(1)		
	25	LV34881-001A	DISP SHEET(2)		
	26	LV35303-001A	DISP SHEET(3)		
	27	QYSDSF2008M	TAP SCREW	M2 x 8mm(x8)	
	28	LV40847-011A	SPACER(H)	(x3)	
	29	QLD0336-001	LCD MODULE		
	30	LV35393-006A	SHIELDING SHEET		
	31	LV44247-001A	SHIELD TIGHT		
	32	QUQ105-0805AB	FFC WIRE	8pin 5cm	
	33	LV43973-006A	SHIELD TIGHT		
	34	LV35688-003A	NAME PLATE		MAV7001
	35	LV44164-001A	CAUTION LABEL		MAV7001
	35	LV44164-002A	CAUTION LABEL		MAV7002
	36	LV44223-001A	INSULATOR		
	37	LV35750-003A	SHIELD SHEET		
	38	LV35525-001A	NAME PLATE		MAV7002
	39	LV40847-005A	SPECER(H)		

Electrical parts list

Monitor board

(KV-MAV7001,KV-MAV7002)

Block No. [0][7]

△ Symbol No.	Part No.	Part Name	Description	Local
IC401	UPD780053GC-178	IC(MCU)		
IC402	BD4833FVE-W	IC		
IC403	BR24L01AF-W-X	IC		
IC411	M37540M2-485GP	IC		
IC412	BR24L01AF-W-X	IC		
IC421	IR3T42	IC		
IC427	SN74LVC1G04K-X	IC		
IC431	RB5P006AM	IC		
IC437	SN74LVC2G53T-X	IC		
IC438	SN74LVC2G53T-X	IC		
IC441	LZ9FE30	IC		
IC443	SN74LVC1G04K-X	IC		
IC445	NJM2107F-X	IC		
IC448	SN74LVC2G74U-X	IC		
IC471	OZ9611SN-X	IC		
IC473	NJM78L05UA-X	IC		
IC481	LT1376IS8-X	IC		
IC482	BA3259HFP-W	IC		
IC483	LT1947EMS-X	IC		
IC486	NJM78L05UA-X	IC		
IC487	NJM78L05UA-X	IC		
IC491	TC74HC40103AFXE	IC		
IC492	SN74LV123APW-X	IC		
IC501	NJM2125F-X	IC		
IC502	NJM2125F-X	IC		
Q4101	DTC114EUA-X	DIGI TRANSISTOR		
Q4321	2SA1576A/QR/-X	TRANSISTOR		
Q4322	2SC4097/R/-X	TRANSISTOR		
Q4323	2SC4097/R/-X	TRANSISTOR		
Q4324	2SA1576A/QR/-X	TRANSISTOR		
Q4435	2SC4097/R/-X	TRANSISTOR		
Q4551	2SC4097/R/-X	TRANSISTOR		
Q4701	UPA1890GR-9JG-X	POWER MOS FET		
Q4702	UPA1890GR-9JG-X	POWER MOS FET		
Q4831	2SB1424/QR/-W	TRANSISTOR		
Q4851	2SD1623/ST/-X	2SD1623		
Q4852	DTC114EUA-X	DIGI TRANSISTOR		
Q4853	2SA1576A/QR/-X	TRANSISTOR		
Q4854	DTC114EUA-X	DIGI TRANSISTOR		
Q5101	2SA1576A/QR/-X	TRANSISTOR		
Q5102	DTC114EUA-X	DIGI TRANSISTOR		
D4101	MA111-X	SI DIODE		
D4102	MA111-X	SI DIODE		
D4103	RB521S-30-X	SB DIODE		
D4104	RB521S-30-X	SB DIODE		
D4105	RB521S-30-X	SB DIODE		
D4106	RB521S-30-X	SB DIODE		
D4451	MA111-X	SI DIODE		
D4452	MA357-X	VARI CAP DIODE		
D4453	MA8051/M/-X	Z DIODE		
D4471	MA716-X	S.B.DIODE X2		
D4491	MA111-X	SI DIODE		
D4501	MA8051/M/-X	Z DIODE		
D4701	MA8047/M/-X	Z DIODE		
D4702	MA8047/M/-X	Z DIODE		
D4703	BAV99L-X	SI DIODE		
D4704	BAV99L-X	SI DIODE		
D4801	RSX201L-30-X	SB DIODE		
D4802	RSX201L-30-X	SB DIODE		
D4831	RSX201L-30-X	SB DIODE		
D4832	RB521S-30-X	SB DIODE		
D4833	RB521S-30-X	SB DIODE		
D4834	RB521S-30-X	SB DIODE		
D4835	RB521S-30-X	SB DIODE		
D4836	RB521S-30-X	SB DIODE		
D4837	MA8150/M/-X	Z DIODE		
D4838	MA8056/M/-X	Z DIODE		
D4851	MA8110/L/-X	Z DIODE		
D4852	MA8062/M/-X	Z DIODE		
D4901	BAV99L-X	SI DIODE		
D5001	AM-30-21-X	PHOTO CONDUCTOR		
D5002	MA8062/M/-X	Z DIODE		
D5101	SML-310LT/MN/-X	LED		MAV7001
D5101	SML-310VT/JK/-X	LED		MAV7002
D5102	SML-310LT/MN/-X	LED		MAV7001
D5102	SML-310VT/JK/-X	LED		MAV7002
D5103	SML-310LT/MN/-X	LED		MAV7001
D5103	SML-310VT/JK/-X	LED		MAV7002
D5104	SML-310LT/MN/-X	LED		MAV7001
D5104	SML-310VT/JK/-X	LED		MAV7002
D5105	SML-310LT/MN/-X	LED		MAV7001
D5105	SML-310VT/JK/-X	LED		MAV7002
D5106	SML-310LT/MN/-X	LED		MAV7001
D5106	SML-310VT/JK/-X	LED		MAV7002
C4001	NCB31CK-104X	C CAPACITOR	0.1uF 16V K	
C4002	NCB31HK-103X	C CAPACITOR	0.01uF 50V K	
C4005	NCB31HK-103X	C CAPACITOR	0.01uF 50V K	
C4006	NCB31HK-103X	C CAPACITOR	0.01uF 50V K	
C4007	NCB31HK-103X	C CAPACITOR	0.01uF 50V K	
C4008	NDC31HJ-101X	C CAPACITOR	100pF 50V J	
C4009	NCB31CK-104X	C CAPACITOR	0.1uF 16V K	
C4010	NCB31CK-104X	C CAPACITOR	0.1uF 16V K	
C4011	NDC31HJ-330X	C CAPACITOR	33pF 50V J	
C4012	NDC31HJ-330X	C CAPACITOR	33pF 50V J	
C4013	NDC31HJ-101X	C CAPACITOR	100pF 50V J	
C4014	NDC31HJ-101X	C CAPACITOR	100pF 50V J	
C4015	NCB31CK-104X	C CAPACITOR	0.1uF 16V K	
C4016	NCB31CK-104X	C CAPACITOR	0.1uF 16V K	
C4021	NCB31HK-103X	C CAPACITOR	0.01uF 50V K	
C4022	NCB31HK-103X	C CAPACITOR	0.01uF 50V K	
C4031	NCB31CK-104X	C CAPACITOR	0.1uF 16V K	
C4032	NDC31HJ-101X	C CAPACITOR	100pF 50V J	
C4041	NCB31CK-104X	C CAPACITOR	0.1uF 16V K	
C4051	NCB31CK-104X	C CAPACITOR	0.1uF 16V K	
C4052	NCB31CK-104X	C CAPACITOR	0.1uF 16V K	
C4101	NCB31CK-104X	C CAPACITOR	0.1uF 16V K	
C4102	NCB31CK-104X	C CAPACITOR	0.1uF 16V K	
C4103	NCB31CK-104X	C CAPACITOR	0.1uF 16V K	
C4104	NCB31CK-104X	C CAPACITOR	0.1uF 16V K	
C4105	NCB30JK-105X	C CAPACITOR	1uF 6.3V K	
C4106	NCB30JK-105X	C CAPACITOR	1uF 6.3V K	
C4107	NCB30JK-105X	C CAPACITOR	1uF 6.3V K	
C4108	NDC31HJ-101X	C CAPACITOR	100pF 50V J	
C4111	NCB31CK-104X	C CAPACITOR	0.1uF 16V K	
C4112	NBE41AM-476X	TA E CAPACITOR	47uF 10V M	
C4201	NCB31AK-334X	C CAPACITOR	0.33uF 10V K	
C4202	NCB31HK-102X	C CAPACITOR	1000pF 50V K	
C4203	NCB31CK-473X	C CAPACITOR	0.047uF 16V K	
C4204	NDC31HJ-330X	C CAPACITOR	33pF 50V J	
C4205	NDC31HJ-330X	C CAPACITOR	33pF 50V J	
C4206	NCB31CK-473X	C CAPACITOR	0.047uF 16V K	
C4207	NCB31HK-102X	C CAPACITOR	1000pF 50V K	
C4208	NCB31AK-334X	C CAPACITOR	0.33uF 10V K	
C4209	NCB31CK-104X	C CAPACITOR	0.1uF 16V K	
C4210	NCB31CK-104X	C CAPACITOR	0.1uF 16V K	
C4211	NCB30JK-105X	C CAPACITOR	1uF 6.3V K	
C4212	NCB31CK-104X	C CAPACITOR	0.1uF 16V K	
C4213	NCB31CK-104X	C CAPACITOR	0.1uF 16V K	
C4214	NCB30JK-105X	C CAPACITOR	1uF 6.3V K	
C4215	NDC31HJ-330X	C CAPACITOR	33pF 50V J	
C4216	NCB31CK-473X	C CAPACITOR	0.047uF 16V K	
C4217	NCB31HK-102X	C CAPACITOR	1000pF 50V K	
C4218	NCB31AK-334X	C CAPACITOR	0.33uF 10V K	
C4219	NCB31CK-104X	C CAPACITOR	0.1uF 16V K	
C4220	NCB30JK-105X	C CAPACITOR	1uF 6.3V K	
C4221	NCB31CK-104X	C CAPACITOR	0.1uF 16V K	
C4222	NCB31CK-104X	C CAPACITOR	0.1uF 16V K	
C4223	NCB30JK-105X	C CAPACITOR	1uF 6.3V K	
C4224	NCB31CK-104X	C CAPACITOR	0.1uF 16V K	
C4225	NDC31HG-471X	C CAPACITOR	470pF 50V G	
C4226	NDC31HG-471X	C CAPACITOR	470pF 50V G	
C4227	NDC31HG-471X	C CAPACITOR	470pF 50V G	

△ Symbol No.	Part No.	Part Name	Description	Local	△ Symbol No.	Part No.	Part Name	Description	Local
C4228	NCB31CK-104X	C CAPACITOR	0.1uF 16V K		C4452	NCB31CK-104X	C CAPACITOR	0.1uF 16V K	
C4229	NCB31CK-104X	C CAPACITOR	0.1uF 16V K		C4453	NCB31HK-561X	C CAPACITOR	560pF 50V K	
C4230	NCB30JK-105X	C CAPACITOR	1uF 6.3V K		C4454	NDC31HJ-101X	C CAPACITOR	100pF 50V J	
C4231	NCB30JK-105X	C CAPACITOR	1uF 6.3V K		C4455	NCB31CK-104X	C CAPACITOR	0.1uF 16V K	
C4232	NCB31CK-104X	C CAPACITOR	0.1uF 16V K		C4456	NCB31CK-104X	C CAPACITOR	0.1uF 16V K	
C4233	NCB31CK-104X	C CAPACITOR	0.1uF 16V K		C4457	NCB31CK-104X	C CAPACITOR	0.1uF 16V K	
C4234	NCB31AK-334X	C CAPACITOR	0.33uF 10V K		C4458	NDC31HJ-101X	C CAPACITOR	100pF 50V J	
C4235	NCB31CK-473X	C CAPACITOR	0.047uF 16V K		C4459	NCB31HK-102X	C CAPACITOR	1000pF 50V K	
C4236	NCB31HK-102X	C CAPACITOR	1000pF 50V K		C4460	NCB31HK-221X	C CAPACITOR	220pF 50V K	
C4237	NDC31HJ-330X	C CAPACITOR	33pF 50V J		C4461	NCB31HK-222X	C CAPACITOR	2200pF 50V K	
C4238	NCB31CK-104X	C CAPACITOR	0.1uF 16V K		C4462	NCB31CK-104X	C CAPACITOR	0.1uF 16V K	
C4239	NCB31CK-104X	C CAPACITOR	0.1uF 16V K		C4471	NDC31HJ-330X	C CAPACITOR	33pF 50V J	
C4240	NCB30JK-105X	C CAPACITOR	1uF 6.3V K		C4472	NDC31HJ-330X	C CAPACITOR	33pF 50V J	
C4241	NCB31CK-104X	C CAPACITOR	0.1uF 16V K		C4473	NCB31HK-102X	C CAPACITOR	1000pF 50V K	
C4242	NCB31CK-104X	C CAPACITOR	0.1uF 16V K		C4481	NCB31CK-104X	C CAPACITOR	0.1uF 16V K	
C4243	NCB30JK-105X	C CAPACITOR	1uF 6.3V K		C4482	NDC31HJ-221X	C CAPACITOR	220pF 50V J	
C4244	NBE41AM-476X	TA E CAPACITOR	47uF 10V M		C4491	NCB31CK-104X	C CAPACITOR	0.1uF 16V K	
C4245	NBE41AM-476X	TA E CAPACITOR	47uF 10V M		C4492	NCB31CK-104X	C CAPACITOR	0.1uF 16V K	
C4271	NCB31CK-104X	C CAPACITOR	0.1uF 16V K		C4493	NDC31HJ-470X	C CAPACITOR	47pF 50V J	
C4301	NCB31CK-104X	C CAPACITOR	0.1uF 16V K		C4494	NDC31HJ-471X	C CAPACITOR	470pF 50V J	
C4302	NBE41AM-476X	TA E CAPACITOR	47uF 10V M		C4501	NCB31CK-104X	C CAPACITOR	0.1uF 16V K	
C4303	NCB31CK-104X	C CAPACITOR	0.1uF 16V K		C4502	NCB31CK-104X	C CAPACITOR	0.1uF 16V K	
C4304	NCJ11EK-106X-A	C CAPACITOR			C4503	NBE41CM-226X	TA E CAPACITOR	22uF 16V M	
C4305	NCB30JK-105X	C CAPACITOR	1uF 6.3V K		C4504	NCJ11EK-106X-A	C CAPACITOR		
C4306	NBE41AM-476X	TA E CAPACITOR	47uF 10V M		C4505	NCJ11EK-106X-A	C CAPACITOR		
C4307	NCB30JK-105X	C CAPACITOR	1uF 6.3V K		C4506	NCB31CK-104X	C CAPACITOR	0.1uF 16V K	
C4308	NCB31HK-103X	C CAPACITOR	0.01uF 50V K		C4507	NCB31CK-104X	C CAPACITOR	0.1uF 16V K	
C4309	NCB31HK-103X	C CAPACITOR	0.01uF 50V K		C4508	NCJ11EK-106X-A	C CAPACITOR		
C4310	NCB30JK-105X	C CAPACITOR	1uF 6.3V K		C4509	NCB31CK-104X	C CAPACITOR	0.1uF 16V K	
C4311	NCB31HK-103X	C CAPACITOR	0.01uF 50V K		C4510	NCJ11EK-106X-A	C CAPACITOR		
C4312	NCB31HK-103X	C CAPACITOR	0.01uF 50V K		C4511	NCJ11EK-106X-A	C CAPACITOR		
C4313	NCB31HK-103X	C CAPACITOR	0.01uF 50V K		C4601	NCJ11EK-106X-A	C CAPACITOR		
C4314	NCB31CK-104X	C CAPACITOR	0.1uF 16V K		C4602	NCJ11EK-106X-A	C CAPACITOR		
C4315	NCB31AK-474X	C CAPACITOR	0.47uF 10V K		C4603	NCJ11EK-106X-A	C CAPACITOR		
C4316	NCB31HK-103X	C CAPACITOR	0.01uF 50V K		C4604	NCJ11EK-106X-A	C CAPACITOR		
C4317	NCB30JK-105X	C CAPACITOR	1uF 6.3V K		C4701	NCB30JK-105X	C CAPACITOR	1uF 6.3V K	
C4318	NCB30JK-105X	C CAPACITOR	1uF 6.3V K		C4702	NCB31AK-474X	C CAPACITOR	0.47uF 10V K	
C4319	NCB30JK-105X	C CAPACITOR	1uF 6.3V K		C4703	NCB31CK-103X	C CAPACITOR	0.01uF 16V K	
C4320	NCB31CK-104X	C CAPACITOR	0.1uF 16V K		C4704	NCB31CK-104X	C CAPACITOR	0.1uF 16V K	
C4321	NBE41AM-476X	TA E CAPACITOR	47uF 10V M		C4705	NDC31HJ-101X	C CAPACITOR	100pF 50V J	
C4322	NCB31CK-104X	C CAPACITOR	0.1uF 16V K		C4706	NCB31CK-104X	C CAPACITOR	0.1uF 16V K	
C4323	NDC31HJ-101X	C CAPACITOR	100pF 50V J		C4707	NCB31HK-153X	C CAPACITOR	0.015uF 50V K	
C4324	NCJ11EK-106X-A	C CAPACITOR			C4708	NCB31CK-104X	C CAPACITOR	0.1uF 16V K	
C4325	NCB30JK-105X	C CAPACITOR	1uF 6.3V K		C4709	NCB31HK-221X	C CAPACITOR	220pF 50V K	
C4326	NCJ11EK-106X-A	C CAPACITOR			C4710	NCB31CK-473X	C CAPACITOR	0.047uF 16V K	
C4327	NCJ11EK-106X-A	C CAPACITOR			C4711	NCB31CK-473X	C CAPACITOR	0.047uF 16V K	
C4371	NDC31HJ-470X	C CAPACITOR	47pF 50V J		C4713	NCB11CK-225X	C CAPACITOR	2.2uF 16V K	
C4372	NCS31HJ-360X	C CAPACITOR	36pF 50V J		C4715	NCB31CK-104X	C CAPACITOR	0.1uF 16V K	
C4375	NCB31CK-104X	C CAPACITOR	0.1uF 16V K		C4716	NCZ1011-100X	C CAPACITOR	10pF	
C4377	NDC31HJ-7R0X	C CAPACITOR	7pF 50V J		C4717	NCB31EK-153X	C CAPACITOR	0.015uF 25V K	
C4378	NDC31HJ-9R0X	C CAPACITOR	9pF 50V J		C4718	NCB31HK-102X	C CAPACITOR	1000pF 50V K	
C4379	NCB31CK-104X	C CAPACITOR	0.1uF 16V K		C4721	NQR0450-001X	EMI FILTER	0.022uF 50V M	
C4401	NBE41CM-226X	TA E CAPACITOR	22uF 16V M		C4722	NCJ11EK-106X-A	C CAPACITOR		
C4402	NCB31CK-104X	C CAPACITOR	0.1uF 16V K		C4723	NCJ11EK-106X-A	C CAPACITOR		
C4403	NDC31HJ-101X	C CAPACITOR	100pF 50V J		C4724	NCJ11EK-106X-A	C CAPACITOR		
C4404	NCB31CK-104X	C CAPACITOR	0.1uF 16V K		C4726	NCJ11EK-106X-A	C CAPACITOR		
C4405	NDC31HJ-101X	C CAPACITOR	100pF 50V J		C4727	NCJ11EK-106X-A	C CAPACITOR		
C4406	NCB31CK-104X	C CAPACITOR	0.1uF 16V K		C4731	NDC31HJ-101X	C CAPACITOR	100pF 50V J	
C4407	NCB31CK-104X	C CAPACITOR	0.1uF 16V K		C4732	NDC31HJ-101X	C CAPACITOR	100pF 50V J	
C4408	NDC31HJ-330X	C CAPACITOR	33pF 50V J		C4733	NDC31HJ-101X	C CAPACITOR	100pF 50V J	
C4409	NDC31HJ-101X	C CAPACITOR	100pF 50V J		C4734	NDC31HJ-101X	C CAPACITOR	100pF 50V J	
C4410	NCB31CK-104X	C CAPACITOR	0.1uF 16V K		C4735	NCJ11EK-106X-A	C CAPACITOR		
C4411	NCB31CK-104X	C CAPACITOR	0.1uF 16V K		C4736	NCJ11EK-106X-A	C CAPACITOR		
C4412	NCB31CK-104X	C CAPACITOR	0.1uF 16V K		C4801	NQR0450-001X	EMI FILTER	0.022uF 50V M	
C4413	NDC31HJ-101X	C CAPACITOR	100pF 50V J		C4802	NCJ11EK-106X-A	C CAPACITOR		
C4414	NCB31CK-104X	C CAPACITOR	0.1uF 16V K		C4803	NCJ11EK-106X-A	C CAPACITOR		
C4415	NCB31CK-224X	C CAPACITOR	0.22uF 16V K		C4804	NCJ11EK-106X-A	C CAPACITOR		
C4416	NCB31CK-104X	C CAPACITOR	0.1uF 16V K		C4805	NCJ11EK-106X-A	C CAPACITOR		
C4417	NCB31CK-104X	C CAPACITOR	0.1uF 16V K		C4806	NCJ11EK-106X-A	C CAPACITOR		
C4418	NCB31CK-104X	C CAPACITOR	0.1uF 16V K		C4807	NCB31CK-104X	C CAPACITOR	0.1uF 16V K	
C4419	NDC31HJ-101X	C CAPACITOR	100pF 50V J		C4809	NCB31HK-332X	C CAPACITOR	3300pF 50V K	
C4420	NCB31CK-104X	C CAPACITOR	0.1uF 16V K		C4810	NBE61CM-107X	TA E CAPACITOR	100uF 16V M	
C4421	NDC31HJ-820X	C CAPACITOR	82pF 50V J		C4811	NCB31CK-104X	C CAPACITOR	0.1uF 16V K	
C4422	NCB31CK-104X	C CAPACITOR	0.1uF 16V K		C4813	NBE61CM-107X	TA E CAPACITOR	100uF 16V M	
C4423	NCB31CK-104X	C CAPACITOR	0.1uF 16V K		C4814	NBE51CM-476X	TA E CAPACITOR	47uF 16V M	
C4431	NCB31CK-104X	C CAPACITOR	0.1uF 16V K		C4816	NBE41AM-476X	TA E CAPACITOR	47uF 10V M	
C4435	NCB31CK-104X	C CAPACITOR	0.1uF 16V K		C4821	NDC31HJ-101X	C CAPACITOR	100pF 50V J	
C4451	NCB31CK-104X	C CAPACITOR	0.1uF 16V K		C4822	NCB20JM-475X	C CAPACITOR	4.7uF 6.3V M	

△ Symbol No.	Part No.	Part Name	Description	Local	△ Symbol No.	Part No.	Part Name	Description	Local
C4823	NCB30JK-105X	C CAPACITOR	1uF 6.3V K		R4208	NRSA63D-102X	MG RESISTOR	1kΩ 1/16W D	
C4824	NDC31HJ-101X	C CAPACITOR	100pF 50V J		R4211	NRSA63D-103X	MG RESISTOR	10kΩ 1/16W D	
C4825	NCB30JK-105X	C CAPACITOR	1uF 6.3V K		R4212	NRSA63D-204X	MG RESISTOR	200kΩ 1/16W D	
C4832	NCB11AK-475X	C CAPACITOR	4.7uF 10V K		R4213	NRSA63J-0R0X	MG RESISTOR	0Ω 1/16W J	
C4833	NCB11CK-225X	C CAPACITOR	2.2uF 16V K		R4214	NRSA63D-392X	MG RESISTOR	3.9kΩ 1/16W D	
C4835	NCB11EK-105X	C CAPACITOR	1uF 25V K		R4215	NRSA63D-332X	MG RESISTOR	3.3kΩ 1/16W D	
C4836	NCB11EK-105X	C CAPACITOR	1uF 25V K		R4216	NRSA63J-334X	MG RESISTOR	330kΩ 1/16W J	
C4837	NCB31HK-222X	C CAPACITOR	2200pF 50V K		R4217	NRSA63D-102X	MG RESISTOR	1kΩ 1/16W D	
C4838	NCB21CK-105X	C CAPACITOR	1uF 16V K		R4218	NRSA63D-204X	MG RESISTOR	200kΩ 1/16W D	
C4839	NCB21CK-105X	C CAPACITOR	1uF 16V K		R4219	NRSA63J-0R0X	MG RESISTOR	0Ω 1/16W J	
C4840	NCB11EK-105X	C CAPACITOR	1uF 25V K		R4220	NRSA63D-103X	MG RESISTOR	10kΩ 1/16W D	
C4841	NCJ11EK-106X-A	C CAPACITOR	C CAPACITOR		R4223	NRSA63J-101X	MG RESISTOR	100Ω 1/16W J	
C4842	NCJ11EK-106X-A	C CAPACITOR	C CAPACITOR		R4224	NRSA63D-752X	MG RESISTOR	7.5kΩ 1/16W D	
C4843	NCB30JK-105X	C CAPACITOR	1uF 6.3V K		R4225	NRSA63D-752X	MG RESISTOR	7.5kΩ 1/16W D	
C4844	NCB30JK-105X	C CAPACITOR	1uF 6.3V K		R4226	NRSA63D-473X	MG RESISTOR	47kΩ 1/16W D	
C4851	NCB31CK-104X	C CAPACITOR	0.1uF 16V K		R4227	NRSA63D-752X	MG RESISTOR	7.5kΩ 1/16W D	
C4852	NCB31CK-104X	C CAPACITOR	0.1uF 16V K		R4228	NRSA63D-752X	MG RESISTOR	7.5kΩ 1/16W D	
C4861	NCJ11EK-106X-A	C CAPACITOR	C CAPACITOR		R4229	NRSA63D-473X	MG RESISTOR	47kΩ 1/16W D	
C4862	NDC31HJ-101X	C CAPACITOR	100pF 50V J		R4230	NRSA63D-752X	MG RESISTOR	7.5kΩ 1/16W D	
C4863	NDC31HJ-101X	C CAPACITOR	100pF 50V J		R4231	NRSA63J-511X	MG RESISTOR	510Ω 1/16W J	
C4864	NCJ11EK-106X-A	C CAPACITOR	C CAPACITOR		R4232	NRSA63D-183X	MG RESISTOR	18kΩ 1/16W D	
C4871	NCB21CK-105X	C CAPACITOR	1uF 16V K		R4233	NRSA63D-183X	MG RESISTOR	18kΩ 1/16W D	
C4872	NCB31CK-104X	C CAPACITOR	0.1uF 16V K		R4234	NRSA63D-304X	MG RESISTOR	300kΩ 1/16W D	
C5001	NCB31CK-104X	C CAPACITOR	0.1uF 16V K		R4235	NRSA63D-104X	MG RESISTOR	100kΩ 1/16W D	
C5002	NCB31AK-334X	C CAPACITOR	0.33uF 10V K		R4236	NRSA63D-104X	MG RESISTOR	100kΩ 1/16W D	
C5003	NCB31CK-104X	C CAPACITOR	0.1uF 16V K		R4237	NRSA63D-203X	MG RESISTOR	20kΩ 1/16W D	
C5004	NCB31CK-104X	C CAPACITOR	0.1uF 16V K		R4238	NRSA63D-753X	MG RESISTOR	75kΩ 1/16W D	
C5301	NCB31CK-104X	C CAPACITOR	0.1uF 16V K		R4239	NRSA63D-153X	MG RESISTOR	15kΩ 1/16W D	
C5302	NCB31CK-104X	C CAPACITOR	0.1uF 16V K		R4242	NRSA63D-103X	MG RESISTOR	10kΩ 1/16W D	
C5303	NCB31CK-104X	C CAPACITOR	0.1uF 16V K		R4243	NRSA63J-0R0X	MG RESISTOR	0Ω 1/16W J	
					R4244	NRSA63D-204X	MG RESISTOR	200kΩ 1/16W D	
R4001	NRSA63J-471X	MG RESISTOR	470Ω 1/16W J		R4245	NRSA63D-102X	MG RESISTOR	1kΩ 1/16W D	
R4002	NRSA63J-471X	MG RESISTOR	470Ω 1/16W J		R4246	NRSA63J-334X	MG RESISTOR	330kΩ 1/16W J	
R4003	NRSA63J-221X	MG RESISTOR	220Ω 1/16W J		R4247	NRSA63D-332X	MG RESISTOR	3.3kΩ 1/16W D	
R4004	NRSA63J-221X	MG RESISTOR	220Ω 1/16W J		R4248	NRSA63D-392X	MG RESISTOR	3.9kΩ 1/16W D	
R4005	NRSA63J-471X	MG RESISTOR	470Ω 1/16W J		R4249	NRSA63J-0R0X	MG RESISTOR	0Ω 1/16W J	
R4006	NRSA63J-103X	MG RESISTOR	10kΩ 1/16W J		R4250	NRSA63D-204X	MG RESISTOR	200kΩ 1/16W D	
R4008	NRSA63J-221X	MG RESISTOR	220Ω 1/16W J		R4251	NRSA63D-103X	MG RESISTOR	10kΩ 1/16W D	
R4009	NRSA63J-221X	MG RESISTOR	220Ω 1/16W J		R4254	NRSA63D-203X	MG RESISTOR	20kΩ 1/16W D	
R4011	NRSA63J-471X	MG RESISTOR	470Ω 1/16W J		R4255	NRSA63D-203X	MG RESISTOR	20kΩ 1/16W D	
R4012	NRSA63J-471X	MG RESISTOR	470Ω 1/16W J		R4256	NRSA63D-203X	MG RESISTOR	20kΩ 1/16W D	
R4013	NRSA63J-471X	MG RESISTOR	470Ω 1/16W J		R4257	NRSA63D-203X	MG RESISTOR	20kΩ 1/16W D	
R4014	NRSA63J-103X	MG RESISTOR	10kΩ 1/16W J		R4261	NRSA63J-100X	MG RESISTOR	10Ω 1/16W J	
R4016	NRSA63J-471X	MG RESISTOR	470Ω 1/16W J		R4262	NRSA63J-100X	MG RESISTOR	10Ω 1/16W J	
R4017	NRSA63J-471X	MG RESISTOR	470Ω 1/16W J		R4263	NRSA63J-100X	MG RESISTOR	10Ω 1/16W J	
R4018	NRSA63J-473X	MG RESISTOR	47kΩ 1/16W J		R4264	NRSA63J-100X	MG RESISTOR	10Ω 1/16W J	
R4019	NRSA63J-0R0X	MG RESISTOR	0Ω 1/16W J		R4265	NRSA63J-123X	MG RESISTOR	12kΩ 1/16W J	
R4020	NRSA63J-103X	MG RESISTOR	10kΩ 1/16W J		R4266	NRSA63J-123X	MG RESISTOR	12kΩ 1/16W J	
R4021	NRSA63J-103X	MG RESISTOR	10kΩ 1/16W J		R4267	NRSA63J-123X	MG RESISTOR	12kΩ 1/16W J	
R4022	NRSA63J-103X	MG RESISTOR	10kΩ 1/16W J		R4268	NRSA63J-123X	MG RESISTOR	12kΩ 1/16W J	
R4023	NRSA63J-103X	MG RESISTOR	10kΩ 1/16W J		R4271	NRSA63J-102X	MG RESISTOR	1kΩ 1/16W J	
R4025	NRSA63J-103X	MG RESISTOR	10kΩ 1/16W J		R4301	NRSA63J-153X	MG RESISTOR	15kΩ 1/16W J	
R4031	NRSA63J-103X	MG RESISTOR	10kΩ 1/16W J		R4302	NRSA63J-105X	MG RESISTOR	1MΩ 1/16W J	
R4032	NRSA63J-471X	MG RESISTOR	470Ω 1/16W J		R4303	NRSA63J-561X	MG RESISTOR	560Ω 1/16W J	
R4033	NRSA63J-103X	MG RESISTOR	10kΩ 1/16W J		R4304	NRSA63J-560X	MG RESISTOR	56Ω 1/16W J	
R4051	NRSA63J-221X	MG RESISTOR	220Ω 1/16W J		R4305	NRSA63J-151X	MG RESISTOR	150Ω 1/16W J	
R4052	NRSA63J-221X	MG RESISTOR	220Ω 1/16W J		R4306	NRSA63J-683X	MG RESISTOR	68kΩ 1/16W J	
R4101	NRSA63J-103X	MG RESISTOR	10kΩ 1/16W J		R4307	NRSA63J-105X	MG RESISTOR	1MΩ 1/16W J	
R4102	NRSA63J-103X	MG RESISTOR	10kΩ 1/16W J		R4308	NRSA63J-750X	MG RESISTOR	75Ω 1/16W J	
R4103	NRSA63J-103X	MG RESISTOR	10kΩ 1/16W J		R4310	NRSA63J-750X	MG RESISTOR	75Ω 1/16W J	
R4104	NRSA63J-103X	MG RESISTOR	10kΩ 1/16W J		R4312	NRSA63J-750X	MG RESISTOR	75Ω 1/16W J	
R4105	NRSA63J-103X	MG RESISTOR	10kΩ 1/16W J		R4314	NRSA63J-562X	MG RESISTOR	5.6kΩ 1/16W J	
R4106	NRSA63J-103X	MG RESISTOR	10kΩ 1/16W J		R4315	NRSA63J-822X	MG RESISTOR	8.2kΩ 1/16W J	
R4107	NRSA63J-102X	MG RESISTOR	1kΩ 1/16W J		R4316	NRSA63J-0R0X	MG RESISTOR	0Ω 1/16W J	
R4108	NRSA63J-471X	MG RESISTOR	470Ω 1/16W J		R4317	NRSA63J-101X	MG RESISTOR	100Ω 1/16W J	
R4109	NRSA63J-471X	MG RESISTOR	470Ω 1/16W J		R4318	NRSA63J-101X	MG RESISTOR	100Ω 1/16W J	
R4110	NRSA63J-471X	MG RESISTOR	470Ω 1/16W J		R4319	NRSA63J-101X	MG RESISTOR	100Ω 1/16W J	
R4111	NRSA63J-471X	MG RESISTOR	470Ω 1/16W J		R4322	NRSA63J-103X	MG RESISTOR	10kΩ 1/16W J	
R4112	NRSA63J-103X	MG RESISTOR	10kΩ 1/16W J		R4323	NRSA63J-153X	MG RESISTOR	15kΩ 1/16W J	
R4113	NRSA63J-471X	MG RESISTOR	470Ω 1/16W J		R4324	NRSA63J-153X	MG RESISTOR	15kΩ 1/16W J	
R4114	NRSA63J-103X	MG RESISTOR	10kΩ 1/16W J		R4325	NRSA63J-100X	MG RESISTOR	10Ω 1/16W J	
R4201	NRSA63D-102X	MG RESISTOR	1kΩ 1/16W D		R4326	NRSA63J-100X	MG RESISTOR	10Ω 1/16W J	
R4202	NRSA63J-334X	MG RESISTOR	330kΩ 1/16W J		R4371	NRSA63J-681X	MG RESISTOR	680Ω 1/16W J	
R4203	NRSA63D-332X	MG RESISTOR	3.3kΩ 1/16W D		R4372	NRSA63J-621X	MG RESISTOR	620Ω 1/16W J	
R4204	NRSA63D-392X	MG RESISTOR	3.9kΩ 1/16W D		R4377	NRSA63J-152X	MG RESISTOR	1.5kΩ 1/16W J	
R4205	NRSA63D-392X	MG RESISTOR	3.9kΩ 1/16W D		R4401	NRSA63J-102X	MG RESISTOR	1kΩ 1/16W J	
R4206	NRSA63D-332X	MG RESISTOR	3.3kΩ 1/16W D		R4403	NRSA63J-101X	MG RESISTOR	100Ω 1/16W J	
R4207	NRSA63J-334X	MG RESISTOR	330kΩ 1/16W J		R4407	NRSA63J-101X	MG RESISTOR	100Ω 1/16W J	

△ Symbol No.	Part No.	Part Name	Description	Local	△ Symbol No.	Part No.	Part Name	Description	Local
R4408	NRSA63J-101X	MG RESISTOR	100Ω 1/16W J		R5104	NRSA02J-182X	MG RESISTOR	1.8kΩ 1/10W J	MAV7001
R4409	NRSA63J-101X	MG RESISTOR	100Ω 1/16W J		R5104	NRSA02J-681X	MG RESISTOR	680Ω 1/10W J	MAV7002
R4411	NRSA63J-224X	MG RESISTOR	220kΩ 1/16W J		R5105	NRSA02J-182X	MG RESISTOR	1.8kΩ 1/10W J	MAV7001
R4412	NRSA63J-101X	MG RESISTOR	100Ω 1/16W J		R5105	NRSA02J-681X	MG RESISTOR	680Ω 1/10W J	MAV7002
R4413	NRSA63J-101X	MG RESISTOR	100Ω 1/16W J		R5106	NRSA02J-182X	MG RESISTOR	1.8kΩ 1/10W J	MAV7001
R4431	NRSA63J-221X	MG RESISTOR	220Ω 1/16W J		R5106	NRSA02J-681X	MG RESISTOR	680Ω 1/10W J	MAV7002
R4432	NRSA63J-0R0X	MG RESISTOR	0Ω 1/16W J		R5107	NRSA63J-473X	MG RESISTOR	47kΩ 1/16W J	
R4435	NRSA63J-0R0X	MG RESISTOR	0Ω 1/16W J		R5108	NRSA63J-222X	MG RESISTOR	2.2kΩ 1/16W J	
R4436	NRSA63J-0R0X	MG RESISTOR	0Ω 1/16W J		R5201	NRSA63J-223X	MG RESISTOR	22kΩ 1/16W J	
R4437	NRSA63J-222X	MG RESISTOR	2.2kΩ 1/16W J		R5202	NRSA63J-473X	MG RESISTOR	47kΩ 1/16W J	
R4451	NRSA63J-683X	MG RESISTOR	68kΩ 1/16W J		R5203	NRSA63J-222X	MG RESISTOR	2.2kΩ 1/16W J	
R4452	NRSA63J-105X	MG RESISTOR	1MΩ 1/16W J		R5204	NRSA63J-472X	MG RESISTOR	4.7kΩ 1/16W J	
R4453	NRSA63J-362X	MG RESISTOR	3.6kΩ 1/16W J		R5205	NRSA63J-103X	MG RESISTOR	10kΩ 1/16W J	
R4454	NRSA63J-243X	MG RESISTOR	24kΩ 1/16W J		VR423	NVP0021-222X	TRIM RESISTOR	2.2kΩ	
R4455	NRSA63J-473X	MG RESISTOR	47kΩ 1/16W J		VR425	NVP0021-222X	TRIM RESISTOR	2.2kΩ	
R4456	NRSA63J-472X	MG RESISTOR	4.7kΩ 1/16W J		VR426	NVP0021-222X	TRIM RESISTOR	2.2kΩ	
R4457	NRSA63J-683X	MG RESISTOR	68kΩ 1/16W J		VR428	NVP0021-222X	TRIM RESISTOR	2.2kΩ	
R4458	NRSA63J-101X	MG RESISTOR	100Ω 1/16W J		VR441	NVP0021-104X	TRIM RESISTOR	100kΩ	
R4459	NRSA63J-272X	MG RESISTOR	2.7kΩ 1/16W J		VR451	NVP0021-222X	TRIM RESISTOR	2.2kΩ	
R4460	NRSA63J-332X	MG RESISTOR	3.3kΩ 1/16W J		L4001	NQL382M-220X	COIL	22uH M	
R4461	NRSA63J-331X	MG RESISTOR	330Ω 1/16W J		L4051	NQL382M-470X	COIL	47uH M	
R4462	NRSA63J-103X	MG RESISTOR	10kΩ 1/16W J		L4101	NQL382M-470X	COIL	47uH M	
R4463	NRSA63J-182X	MG RESISTOR	1.8kΩ 1/16W J		L4201	NQL382M-470X	COIL	47uH M	
R4464	NRSA63J-822X	MG RESISTOR	8.2kΩ 1/16W J		L4202	NQL382M-470X	COIL	47uH M	
R4465	NRSA63J-332X	MG RESISTOR	3.3kΩ 1/16W J		L4301	NQL085J-100X	COIL	10uH J	
R4467	NRSA63J-105X	MG RESISTOR	1MΩ 1/16W J		L4302	NQL382M-470X	COIL	47uH M	
R4471	NRSA63J-564X	MG RESISTOR	560kΩ 1/16W J		L4303	NQL382M-220X	COIL	22uH M	
R4472	NRSA63J-391X	MG RESISTOR	390Ω 1/16W J		L4371	NQL085J-270X	COIL	27uH J	
R4473	NRSA63J-564X	MG RESISTOR	560kΩ 1/16W J		L4372	NQL085J-560X	COIL	56uH J	
R4481	NRSA63J-470X	MG RESISTOR	47Ω 1/16W J		L4401	NQL382M-470X	COIL	47uH M	
R4482	NRSA63J-181X	MG RESISTOR	180Ω 1/16W J		L4451	NQL085J-3R3X	COIL	3.3uH J	
R4491	NRSA63J-681X	MG RESISTOR	680Ω 1/16W J		L4471	NQL085J-150X	COIL	15uH J	
R4492	NRSA63J-102X	MG RESISTOR	1kΩ 1/16W J		L4501	NQL382M-470X	COIL	47uH M	
R4493	NRSA63J-102X	MG RESISTOR	1kΩ 1/16W J		L4502	NQL382M-101X	COIL	100uH M	
R4501	NRSA63J-333X	MG RESISTOR	33kΩ 1/16W J		L4503	NQL382M-101X	COIL	100uH M	
R4502	NRSA63J-223X	MG RESISTOR	22kΩ 1/16W J		L4802	NQL32CM-100X	COIL	10uH M	
R4503	NRSA63J-103X	MG RESISTOR	10kΩ 1/16W J		L4803	NQL32CM-100X	COIL	10uH M	
R4504	NRSA63J-473X	MG RESISTOR	47kΩ 1/16W J		L4805	NQL085J-220X	COIL	22uH J	
R4505	NRSA63J-223X	MG RESISTOR	22kΩ 1/16W J		L4832	NQL32CM-4R7X	COIL	4.7uH M	
R4616	NRSA63J-221X	MG RESISTOR	220Ω 1/16W J		L4833	NQL32CM-4R7X	COIL	4.7uH M	
R4701	NRSA63J-244X	MG RESISTOR	240kΩ 1/16W J		T4701	NQR0511-002	C FL TRANSFER		
R4702	NRSA63J-333X	MG RESISTOR	33kΩ 1/16W J		CN401	QGA1002F1-07X	CONNECTOR	W-B (1-7)	
R4703	NRSA63J-563X	MG RESISTOR	56kΩ 1/16W J		CN402	QGF0501F1-08X	CONNECTOR	FFC/FPC (1-8)	
R4704	NRSA63J-512X	MG RESISTOR	5.1kΩ 1/16W J		CN421	QGF1039F1-04X	CONNECTOR	FFC/FPC (1-4)	
R4705	NRSA63J-512X	MG RESISTOR	5.1kΩ 1/16W J		CN451	QGF0501F4-32X	CONNECTOR	FFC/FPC (1-32)	
R4706	NRSA63J-105X	MG RESISTOR	1MΩ 1/16W J		CN461	NNZ0111-001X	CAR CONNECTOR		
R4707	NRSA63J-513X	MG RESISTOR	51kΩ 1/16W J		CN471	QGA3501F1-02X	CONNECTOR	W-B (1-2)	
R4708	NRSA63J-471X	MG RESISTOR	470Ω 1/16W J		CN531	QGF0501F1-08X	CONNECTOR	FFC/FPC (1-8)	
R4711	NRSA63J-470X	MG RESISTOR	47Ω 1/16W J		F4701	NMFZ018-2R5X-E	FUSE	2.5A	
R4712	NRSA63J-470X	MG RESISTOR	47Ω 1/16W J		K4001	NQR0251-004X	FERRITE BEADS		
R4713	NRSA63J-470X	MG RESISTOR	47Ω 1/16W J		K4002	NQR0251-004X	FERRITE BEADS		
R4714	NRSA63J-470X	MG RESISTOR	47Ω 1/16W J		K4003	NQR0251-004X	FERRITE BEADS		
R4801	NRSA63J-512X	MG RESISTOR	5.1kΩ 1/16W J		K4031	NQR0251-004X	FERRITE BEADS		
R4802	NRSA63J-472X	MG RESISTOR	4.7kΩ 1/16W J		K4271	NQR0251-004X	FERRITE BEADS		
R4803	NRSA63J-103X	MG RESISTOR	10kΩ 1/16W J		K4401	NQR0251-004X	FERRITE BEADS		
R4821	NRSA63J-562X	MG RESISTOR	5.6kΩ 1/16W J		K4451	NQR0251-004X	FERRITE BEADS		
R4822	NRSA63J-432X	MG RESISTOR	4.3kΩ 1/16W J		K4482	NQR022-005X	FERRITE BEADS		
R4831	NRSA63J-473X	MG RESISTOR	47kΩ 1/16W J		LC431	NQR0566-001X	FERRITE BEADS		
R4832	NRSA63J-473X	MG RESISTOR	47kΩ 1/16W J		LC432	NQR0566-001X	FERRITE BEADS		
R4833	NRSA63J-103X	MG RESISTOR	10kΩ 1/16W J		LC433	NQR0566-001X	FERRITE BEADS		
R4834	NRSA63J-154X	MG RESISTOR	150kΩ 1/16W J		LC434	NQR0566-001X	FERRITE BEADS		
R4835	NRSA63J-123X	MG RESISTOR	12kΩ 1/16W J		LC469	NQR0566-001X	FERRITE BEADS		
R4836	NRSA02J-102X	MG RESISTOR	1kΩ 1/10W J		S5201	NSW0228-001X	TACT SWITCH		
R4837	NRSA02J-102X	MG RESISTOR	1kΩ 1/10W J		S5202	NSW0228-001X	TACT SWITCH		
R4851	NRSA63J-102X	MG RESISTOR	1kΩ 1/16W J		S5203	NSW0228-001X	TACT SWITCH		
R4852	NRSA63J-473X	MG RESISTOR	47kΩ 1/16W J		S5204	NSW0228-001X	TACT SWITCH		
R4853	NRSA63J-222X	MG RESISTOR	2.2kΩ 1/16W J		S5205	NSW0228-001X	TACT SWITCH		
R4901	NRSA63J-0R0X	MG RESISTOR	0Ω 1/16W J		S5206	NSW0228-001X	TACT SWITCH		
R5001	NRSA63J-185X	MG RESISTOR	1.8MΩ 1/16W J		TP425	NNZ0009-001X	TEST POINT		
R5002	NRSA63J-101X	MG RESISTOR	100Ω 1/16W J		TP426	NNZ0009-001X	TEST POINT		
R5003	NRSA63J-473X	MG RESISTOR	47kΩ 1/16W J		TP427	NNZ0009-001X	TEST POINT		
R5004	NRSA63J-101X	MG RESISTOR	100Ω 1/16W J		TP428	NNZ0009-001X	TEST POINT		
R5101	NRSA02J-182X	MG RESISTOR	1.8kΩ 1/10W J	MAV7001	TP431	NNZ0009-001X	TEST POINT		
R5101	NRSA02J-681X	MG RESISTOR	680Ω 1/10W J	MAV7002	TP433	NNZ0009-001X	TEST POINT		
R5102	NRSA02J-182X	MG RESISTOR	1.8kΩ 1/10W J	MAV7001	TP434	NNZ0009-001X	TEST POINT		
R5102	NRSA02J-681X	MG RESISTOR	680Ω 1/10W J	MAV7002	TP435	NNZ0009-001X	TEST POINT		
R5103	NRSA02J-182X	MG RESISTOR	1.8kΩ 1/10W J	MAV7001					
R5103	NRSA02J-681X	MG RESISTOR	680Ω 1/10W J	MAV7002					

△ Symbol No.	Part No.	Part Name	Description	Local
TP442	NNZ0009-001X	TEST POINT		
X4001	NAX0729-001X	CRYSTAL		
X4101	NAX0522-001X	C RESONATOR	6.000MHz	
X4371	NAX0728-001X	CRYSTAL		
X4372	NAX0727-001X	CRYSTAL		

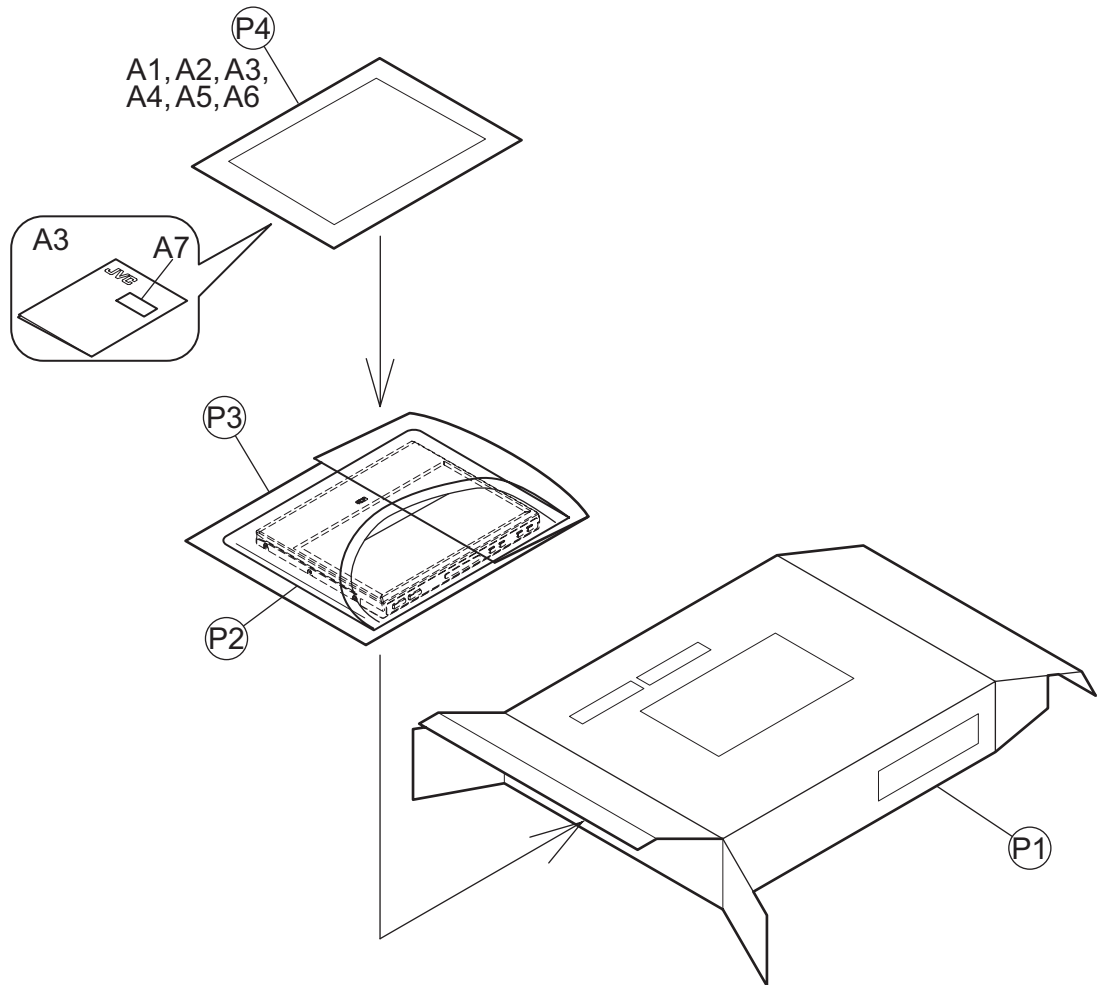
<MEMO>

Packing materials and accessories parts list

Block No. M 5 M M

(KV-MAV7001, KV-MAV7002)

No additional / supplemental order of WARRANTY CARDS are available



Packing and Accessories (KV-MAV7001, KV-MAV7002)

Block No. M 5 M M

△ Symbol No.	Part No.	Part Name	Description	Local
A 1	LVT1253-002A	INSTRUCTIONS	ENG GER FRE DUT SPA ITA SWE RUS	MAV7001
A 1	LVT1253-003A	INSTRUCTIONS	ENG SPA FRE CHI(TAIWAN) THA	MAV7002
A 2	LVT1325-002A	CAUTION SHEET		
A 3	-----	WARRANTY CARD	BT-54023-1	MAV7001
A 4	BT-51028-2	REGISTRATION CARD		MAV7001
A 5	-----	WARRANTY CARD	BT-51018-4	MAV7001
A 6	-----	WARRANTY CARD	BT-52006-2	MAV7001
A 7	VND3046-001	SERIAL TICKET		MAV7001
P 1	LV35527-001A	CARTON		MAV7001
P 1	LV35528-001A	CARTON		MAV7002
P 2	LV44039-003A	SOFT CASE		MAV7001
P 2	LV44039-003A	SOFT CASE		MAV7002
P 3	LV44132-001A	POLY BAG		
P 4	FSPG4002-001	POLY BAG		